

**RETURN FILTERS**

**HYDRAULIC  
FILTRATION**

**CATALOGUE**



**MPFILTRI®**

**PASSION TO PERFORM**





## A WORLDWIDE LEADER IN THE FIELD OF HYDRAULIC FILTRATION EQUIPMENT.

Our company started life in 1964, when Bruno Pasotto decided to attempt to cater for the requests of a market still to be fully explored, with the study, design, development, production and marketing of a vast range of filters for hydraulic equipment, capable of satisfying the needs of manufacturers in all sectors. The quality of our products, our extreme competitiveness compared with major international producers and our constant activities of research, design and development has made us a worldwide leader in the field of hydraulic circuit filtering. Present for over 50 years in the market, we have played a truly decisive role in defining our sector, and by now we are a group capable of controlling our entire chain of production, monitoring all manufacturing processes to guarantee superior quality standards and to provide concrete solutions for the rapidly evolving needs of customers and the market.

# HYDRAULIC FILTRATION PRODUCTS

<b>1</b>	<b>page</b>	<b>INTRODUCTION</b>
2	INDEX	
4	COMPANY PROFILE	
8	PRODUCT RANGE	
11	CONTAMINATION MANAGEMENT	
22	FILTER SIZING	
24	CORRECTIVE FACTOR	
26	SELECTION SOFTWARE	

<b>28</b>	<b>page</b>	<b>SUCTION FILTERS</b>			<b>up to P<sub>max</sub></b>	<b>up to Q<sub>max</sub></b>
31	STR & MPA - MPM	Submerged suction filter, with bypass or magnetic filter			1000	264
38	SFEX	In-line filter with plastic bowl			100	26
49	SF2 250 - 350	Semi-submerged positive head suction filter, low flow rate			160	42
57	SF2 500	Semi-submerged positive head suction filter, high flow rate			700	185
679	CLOGGING INDICATORS					

<b>66</b>	<b>page</b>	<b>RETURN FILTERS</b>			<b>up to P<sub>max</sub></b>	<b>up to Q<sub>max</sub></b>
68	RFX	Return filter, tank mounted filter suitable for all mineral oil and water glycol applications	16	232	260	69
78	MPFX	Tank top semi-immersed filter, standard filter element disassembly	8	116	900	238
106	MPLX	Tank top semi-immersed filter, standard filter element disassembly	10	145	1800	476
114	MPTX	Tank top semi-immersed filter, easy filter element disassembly	8	116	300	79
132	MFBX	Bowl assembly	8	116	700	185
141	MPF	Tank top semi-immersed filter, standard filter element disassembly	8	116	900	238
169	MPT	Tank top semi-immersed filter, easy filter element disassembly	8	116	300	79
187	MFB	Bowl assembly	8	116	700	185
195	MDH	Heavy industrial applications integrated in the tank - air separation	10	145	500	132
203	MPH	Tank top semi-immersed filter, standard filter element disassembly	10	145	3500	925
227	MPI	Tank top semi-immersed filter, standard filter element disassembly	10	145	3500	925
239	FRI	Tank top semi-immersed filter, easy filter element disassembly, it can be used also as in-line filter	20	290	2500	660
255	RF2	Semi-immersed under-head filter, easy filter element disassembly	20	290	615	162
262	ACCESSORIES					
680	CLOGGING INDICATORS					

<b>264</b>	<b>page</b>	<b>RETURN / SUCTION FILTERS</b>			<b>up to P<sub>max</sub></b>	<b>up to Q<sub>max</sub></b>
266	MRSX	Unique TANK TOP filter for mobile machinery, with combined filtration on return and suction to the inlet at the hydrostatic transmissions in closed circuit	10	145	250	66
279	LMP 124 MULTIPORT	Unique IN-LINE filter for mobile machinery, with combined filtration on return and suction to the inlet at the hydrostatic transmissions in closed circuit	80	1160	120	32
682	CLOGGING INDICATORS					

<b>288</b>	<b>page</b>	<b>SPIN-ON FILTERS</b>			<b>up to P<sub>max</sub></b>	<b>up to Q<sub>max</sub></b>
291	MPS	Low pressure filter, available with single cartridge (CS) for in-line or flange mounting or with two cartridge on the same axis on the opposite sides	12	174	365	96
684	CLOGGING INDICATORS					

306 page	LOW & MEDIUM PRESSURE FILTERS	up to P <sub>max</sub>		up to Q <sub>max</sub>		
		bar	psi	l/min	gpm	
308	LFEX	In-line filter with plastic bowl	16	232	300	79
319	LMP 110 - 120 - 123 MULTIPORT	In-line filter with Multiport design for multiple choice connection	80	1160	175	46
335	LMP 210 - 211	In-line low & medium pressure filter, low flow rate	60	870	365	96
345	LMP 400 - 401 & 430 - 431	In-line low & medium pressure filter, high flow rate	60	870	780	206
357	LMP 950 - 951	In-line filter, available with 2 and up to 6 different heads	30	435	2400	634
365	LMP 952 - 953 - 954	In-line low pressure filter specifically designed to be mounted in series	25	363	4500	1189
377	LMD 211	In-line duplex medium pressure filter	60	870	200	53
385	LMD 400 - 401 & 431	In-line duplex low pressure filter	16	232	600	159
401	LMD 951	In-line duplex filter, available with 2 up to 6 different heads	16	232	1200	317
409		Filter elements designed according to DIN 24550				
411	LDP - LDD	In-line and duplex medium pressure filter	60	870	360	95
421	LMP 900 - 901	In-line low pressure filter	30	435	2000	528
429	LMP 902 - 903	In-line filter specifically designed to be mounted in series	20	290	3000	793
438	ACCESSORIES					
686	CLOGGING INDICATORS					

440 page	HIGH PRESSURE FILTERS	up to P <sub>max</sub>		up to Q <sub>max</sub>		
		bar	psi	l/min	gpm	
442	FMMX 050	Typical high pressure filter for mobile applications, low flow rate	420	6092	154	41
451	FMM	Typical high pressure filter for mobile applications, low flow rate	420	6092	300	79
461	FHA 051	Filter optimized for use in high pressure operating systems, low flow rate	560	8122	150	40
469	FMP 039	Filter high pressure, low flow rate applications	110	1595	80	21
477	FMP	Filter high pressure, high flow rate applications	320	4641	500	132
489	FHP	Typical high pressure filter for mobile applications, high flow rate	450	6527	630	166
509	FHM	High pressure filter with intermediate manifold construction	320	4641	400	106
527	FHB	High pressure for block mounting	320	4641	485	128
541	FHF 325	In-line manifold top mounting	350	5076	550	145
551	FHD	In-line duplex high pressure filter	350	5076	250	66
565	HPB	Pressure filter kits for integration in control manifolds	420	6092	300	79
687	CLOGGING INDICATORS					

574 page	STAINLESS STEEL HIGH PRESSURE FILTERS	up to P <sub>max</sub>		up to Q <sub>max</sub>		
		bar	psi	l/min	gpm	
577	FZP	In-line pressure filter with threaded mount	420	6092	160	42
587	FZH	In-line pressure filter with threaded mount for higher pressure	700	10153	80	21
597	FZX	In-line pressure filter with threaded mount up to 1000 bar	1000	14504	10	3
605	FZM	Manifold top mounting	320	4641	70	18
613	FZB	Manifold side mounting	320	4641	70	18
621	FZD	Duplex pressure filter for continuous operation requirements	350	5076	60	16
688	CLOGGING INDICATORS					

632 page	FILTERS FOR POTENTIALLY EXPLOSIVE ATMOSPHERE	up to P <sub>max</sub>		up to Q <sub>max</sub>		
		bar	psi	l/min	gpm	
634	FMMX 050	Typical high pressure filter for mobile applications, low flow rate	420	6092	154	41
643	FZP	In-line pressure filter with threaded mount	700	10153	80	21
653	FZH	In-line pressure filter with threaded mount for higher pressure	1000	14504	10	3
663	FZX	In-line pressure filter with threaded mount up to 1000 bar	320	4641	70	18
689	CLOGGING INDICATORS					

669 page	CLOGGING INDICATORS
674	QUICK REFERENCE GUIDE
679	DESIGNATION AND ORDERING CODES
690	TECHNICAL DATA

## MARKET LEADER



Our work is based on a skillful interaction between advanced technology and fine workmanship, **customizing products according to specific market requests**, focusing strongly on innovation and quality, and following every step in the manufacturing of both standard and special products, fully respecting customer expectations.



Our customer-oriented philosophy, which enables us to satisfy all customer requests **rapidly and with personalized products**, makes us a **dynamic and flexible enterprise**. The possibility of constantly controlling and monitoring the entire production process is essential to allow us to guarantee the quality of our products.

## WORLDWIDE PRESENCE

Our foreign Branches enable us to offer a diversified range of products that allow us to successfully face the aggressive challenge of international competition, and also to maintain a stable presence at a local level.

The Group boasts **9** business branches



## TECHNOLOGY

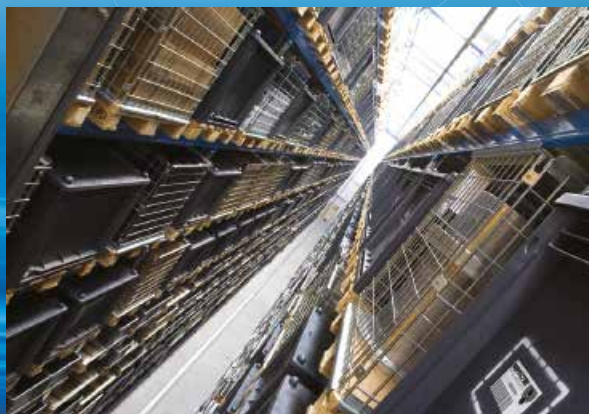
Our constant **quest for excellence in quality and technological innovation** allows us to offer only the best solutions and services for applications in many fields, including general industry, test rigs, lubrication, heavy engineering, renewable energies, naval engineering, offshore engineering, aviation systems, emerging technologies and mobile plant (i.e. tractors, excavators, concrete pumps, platforms).





## AND PRODUCTION

Our high level of technological expertise means **we can rely entirely on our own resources, without resorting to external providers.** This in turn enables us to satisfy a growing number of customer requests, also exploiting our constantly updated range of machines and equipment, featuring **fully-automated workstations** capable of **24-hour production.**





### SUCTION FILTERS

Flow rates  
up to 875 l/min

Mounting:  
- Tank immersed  
- In-Line  
- In tank with  
shut off valve  
- In tank  
with flooded suction

### RETURN FILTERS

Flow rates  
up to 3000 l/min

Pressure  
up to 20 bar

Mounting:  
- In-Line  
- Tank top  
- In single  
and duplex designs

### RETURN / SUCTION FILTERS

Flow rates  
up to 300 l/min

Pressure  
up to 80 bar

Mounting:  
- In-Line  
- Tank top

### SPIN-ON FILTERS

Flow rates  
up to 365 l/min

Pressure  
up to 35 bar

Mounting:  
- In-Line  
- Tank top

### LOW & MEDIUM PRESSURE FILTERS

Flow rates  
up to 3000 l/min

Pressure  
up to 80 bar

Mounting:  
- In-Line  
- Parallel manifold version  
- In single  
and duplex designs

### HIGH PRESSURE FILTERS

Flow rates  
up to 750 l/min

Pressure from 110 bar  
up to 560 bar

Mounting:  
- In-Line  
- Manifold  
- In single  
and duplex designs

# PRODUCT RANGE

MP Filtri can offer a vast and articulated range of products for the global market, suitable for all industrial sectors using hydraulic equipment.

This includes filters (suction, return, return/suction, spin-on, pressure, stainless steel pressure, ATEX filters) and structural components (motor/pump bell-housings, transmission couplings, damping rings, foot brackets, aluminium tanks, cleaning covers).

We can provide all the skills and solutions required by the modern hydraulics industry to monitor contamination levels and other fluid conditions.

Mobile filtration units and a full range of accessories allow us to supply everything necessary for a complete service in the hydraulic circuits.



## STAINLESS STEEL HIGH PRESSURE FILTERS

Flow rates up to 150 l/min

Pressure from 320 bar up to 1000 bar

- Mounting:
- In-Line
  - Manifold
  - In single and duplex designs

## FILTERS FOR POTENTIALLY EXPLOSIVE ATMOSPHERE

Flow rates up to 154 l/min

Pressure from 420 bar up to 1000 bar

- Mounting:
- In-Line

## CONTAMINATION CONTROL SOLUTIONS

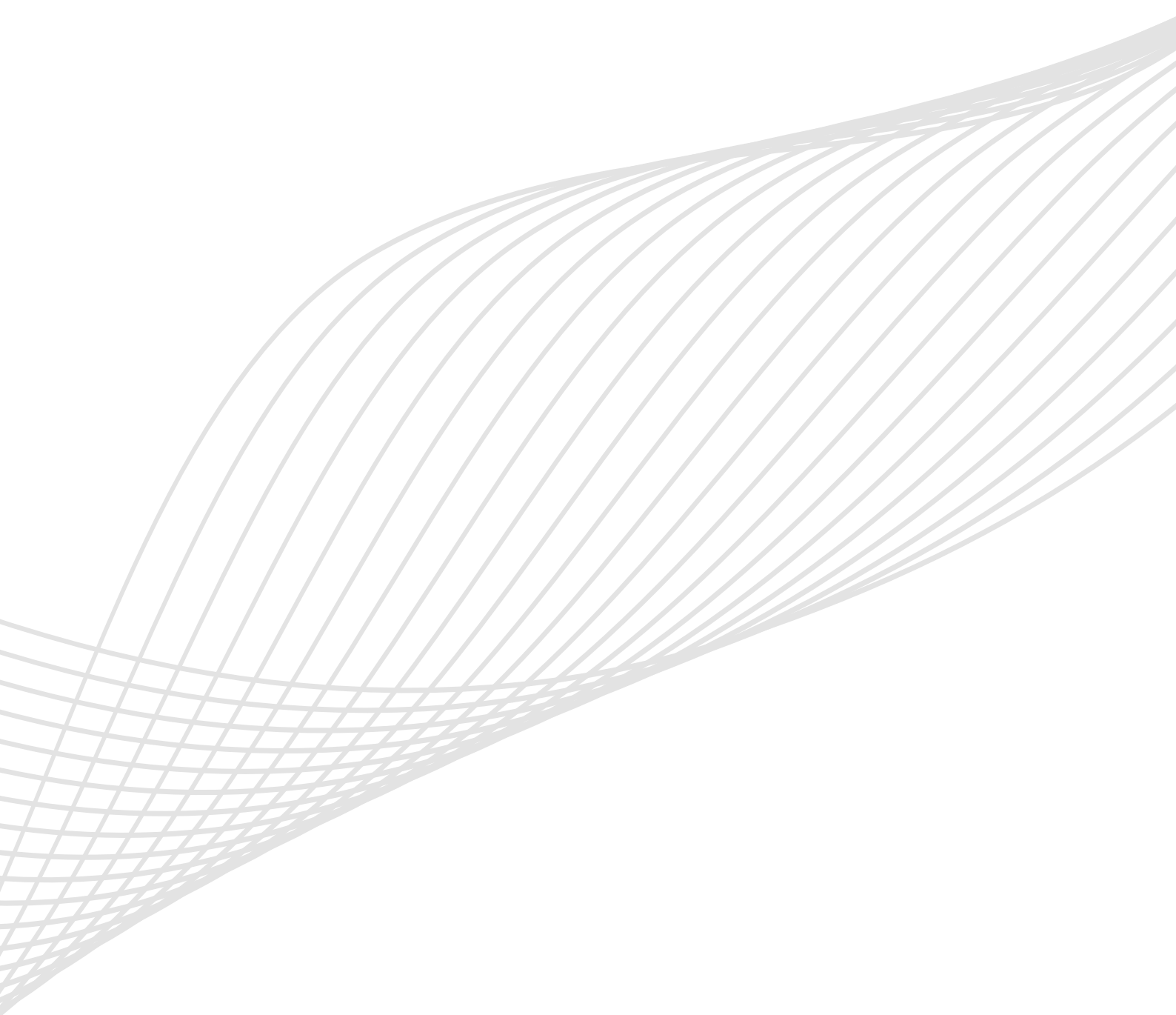
- Off-line, in-line particle counters
- Off-line bottle sampling products
- Fully calibrated using relevant ISO standards
- A wide range of variants to support fluid types and communication protocols
- Mobile Filtration Units with flow rates from 15 l/min up to 200 l/min

## POWER TRANSMISSION PRODUCTS

- Aluminium bell-housings for motors from 0.12 kW to 400 kW
- Couplings in Aluminium Cast Iron - Steel
- Damping rings
- Foot bracket
- Aluminium tanks
- Cleaning covers

## TANK ACCESSORIES

- Oil filler and air breather plugs
- Optical and electrical level gauges
- Pressure gauge valve selectors
- Pipe fixing brackets
- Pressure gauges



# CONTAMINATION MANAGEMENT

## INDEX

	Page
① HYDRAULIC FLUIDS	12
② FLUIDS CONTAMINATION	12
③ EFFECTS OF CONTAMINATION ON HYDRAULIC COMPONENTS	12
④ MEASURING THE SOLID CONTAMINATION LEVEL	13
⑤ FILTRATION TECHNOLOGIES	16
⑥ RECOMMENDED CONTAMINATION CLASSES	17
⑦ TYPES OF FILTERS	17
⑧ FILTER SIZING PARAMETERS	18
⑨ APPLICABLE STANDARDS FOR FILTER DEVELOPMENT	18
⑩ WATER IN HYDRAULIC AND LUBRICATING FLUIDS	19
⑪ THE ANTI-STATIC FILTERS <b>zerospark+</b>	20

## 1 HYDRAULIC FLUIDS

The fluid is the vector that transmits power, energy within an oleodynamic circuit. In addition to transmitting energy through the circuit, it also performs additional functions such as lubrication, protection and cooling of the surfaces.

The classification of fluids used in hydraulic systems is coded in many regulatory references, different Standards.

The most popular classification criterion divides them into the following families:

- MINERAL OILS

Commonly used oil deriving fluids.

- FIRE RESISTANT FLUIDS

Fluids with intrinsic characteristics of incombustibility or high flash point.

- SYNTHETIC FLUIDS

Modified chemical products to obtain specific optimized features.

- ECOLOGICAL FLUIDS

Synthetic or vegetable origin fluids with high biodegradability characteristics.

The choice of fluid for an hydraulic system must take into account several parameters.

These parameters can adversely affect the performance of an hydraulic system, causing delay in the controls, pump cavitation, excessive absorption, excessive temperature rise, efficiency reduction, increased drainage, wear, jam/block or air intake in the plant.

The main properties that characterize hydraulic fluids and affect their choice are:

- DYNAMIC VISCOSITY

It identifies the fluid's resistance to sliding due to the impact of the particles forming it.

- KINEMATIC VISCOSITY

It is a widespread formal dimension in the hydraulic field.

It is calculated with the ratio between the dynamic viscosity and the fluid density.

Kinematic viscosity varies with temperature and pressure variations.

- VISCOSITY INDEX

This value expresses the ability of a fluid to maintain viscosity when the temperature changes.

A high viscosity index indicates the fluid's ability to limit viscosity variations by varying the temperature.

- FILTERABILITY INDEX

It is the value that indicates the ability of a fluid to cross the filter materials. A low filterability index could cause premature clogging of the filter material.

- WORKING TEMPERATURE

Working temperature affects the fundamental characteristics of the fluid. As already seen, some fluid characteristics, such as cinematic viscosity, vary with the temperature variation.

When choosing a hydraulic oil, must therefore be taken into account of the environmental conditions in which the machine will operate.

- COMPRESSIBILITY MODULE

Every fluid subjected to a pressure contracts, increasing its density.

The compressibility module identifies the increase in pressure required to cause a corresponding increase in density.

- HYDROLYTIC STABILITY

It is the characteristic that prevents galvanic pairs that can cause wear in the plant/system.

- ANTIOXIDANT STABILITY AND WEAR PROTECTION

These features translate into the capacity of a hydraulic oil to avoid corrosion of metal elements inside the system.

- HEAT TRANSFER CAPACITY

It is the characteristic that indicates the capacity of hydraulic oil to exchange heat with the surfaces and then cool them.

## 2 FLUID CONTAMINATION

Whatever the nature and properties of fluids, they are inevitably subject to contamination. Fluid contamination can have two origins:

- INITIAL CONTAMINATION

Caused by the introduction of contaminated fluid into the circuit, or by incorrect storage, transport or transfer operations.

- PROGRESSIVE CONTAMINATION

Caused by factors related to the operation of the system, such as metal surface wear, sealing wear, oxidation or degradation of the fluid, the introduction of contaminants during maintenance, corrosion due to chemical or electrochemical action between fluid and components, cavitation. The contamination of hydraulic systems can be of different nature:

- SOLID CONTAMINATION

For example rust, slag, metal particles, fibers, rubber particles, paint particles or additives

- LIQUID CONTAMINATION

For example, the presence of water due to condensation or external infiltration or acids

- GASEOUS CONTAMINATION

For example, the presence of air due to inadequate oil level in the tank, drainage in suction ducts, incorrect sizing of tubes or tanks.

## 3 EFFECTS OF CONTAMINATION ON HYDRAULIC COMPONENTS

Solid contamination is recognized as the main cause of malfunction, failure and early degradation in hydraulic systems. It is impossible to delete it completely, but it can be effectively controlled by appropriate devices.

CONTAMINATION IN PRESENCE OF LARGE TOLERANCES



CONTAMINATION IN PRESENCE OF NARROW TOLERANCES



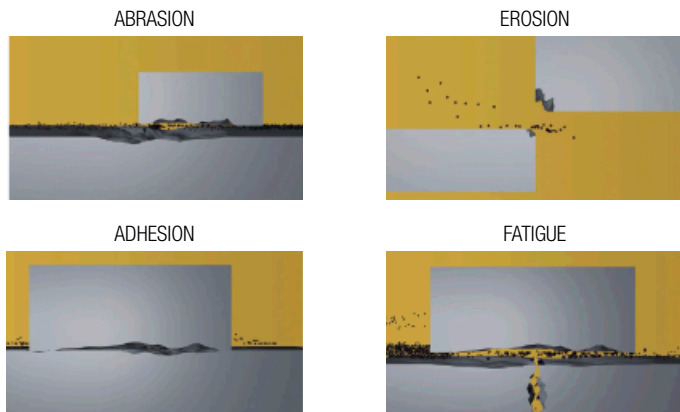
Solid contamination mainly causes surface damage and component wear.

- ABRASION OF SURFACES

Cause of leakage through mechanical seals, reduction of system performance, failures.

- SURFACE EROSION  
Cause of leakage through mechanical seals, reduction of system performance, variation in adjustment of control components, failures.
- ADHESION OF MOVING PARTS  
Cause of failure due to lack of lubrication.
- DAMAGES DUE TO FATIGUE  
Cause of breakdowns and components breakdown.

- MODIFICATION OF FLUID PROPERTIES (COMPRESSIBILITY MODULE, DENSITY, VISCOSITY)  
Cause of system's reduction of efficiency and of control.  
It is easy to understand how a system without proper contamination management is subject to higher costs than a system that is provided.
- MAINTENANCE  
Increase maintenance activities, spare parts, machine stop costs.
- ENERGY AND EFFICIENCY  
Efficiency and performance reduction due to friction, drainage, cavitation.



Liquid contamination mainly results in decay of lubrication performance and protection of fluid surfaces.

## DISSOLVED WATER

- INCREASING FLUID ACIDITY  
Cause of surface corrosion and premature fluid oxidation
- GALVANIC COUPLE AT HIGH TEMPERATURES  
Cause of corrosion

## FREE WATER - ADDITIONAL EFFECTS

- DECAY OF LUBRICANT PERFORMANCE  
Cause of rust and sludge formation, metal corrosion and increased solid contamination
- BATTERY COLONY CREATION  
Cause of worsening in the filterability feature
- ICE CREATION AT LOW TEMPERATURES  
Cause damage to the surface
- ADDITIVE DEPLETION  
Free water retains polar additives

Gaseous contamination mainly results in decay of system performance.

- CUSHION SUSPENSION  
Cause of increased noise and cavitation.
- FLUID OXIDATION  
Cause of corrosion acceleration of metal parts.

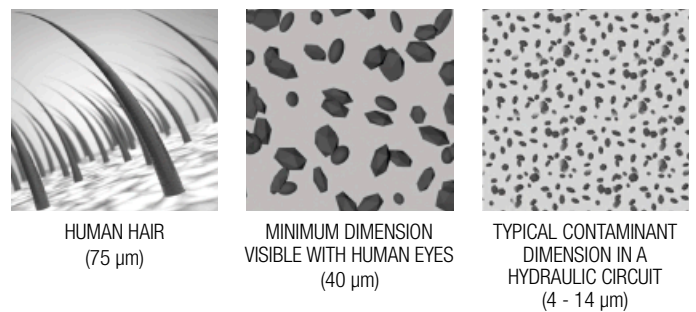
## 4 MEASURING THE SOLID CONTAMINATION LEVEL

The level of contamination of a system identifies the amount of contaminant contained in a fluid.

This parameter refers to a unit volume of fluid.

The level of contamination may be different at different points in the system. From the information in the previous paragraphs it is also apparent that the level of contamination is heavily influenced by the working conditions of the system, by its working years and by the environmental conditions.

What is the size of the contaminating particles that we must handle in our hydraulic circuit?



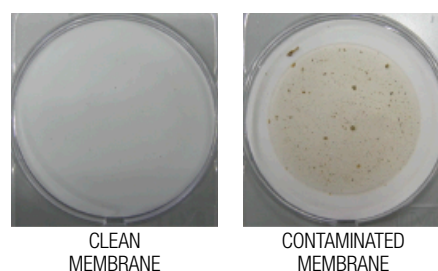
Contamination level analysis is significant only if performed with a uniform and repeatable method, conducted with standard test methods and suitably calibrated equipment.

To this end, ISO has issued a set of standards that allow tests to be conducted and express the measured values in the following ways.

- GRAVIMETRIC LEVEL - ISO 4405

The level of contamination is defined by checking the weight of particles collected by a laboratory membrane. The membrane must be cleaned, dried and desiccated, with fluid and conditions defined by the Standard.

The volume of fluid is filtered through the membrane by using a suitable suction system. The weight of the contaminant is determined by checking the weight of the membrane before and after the fluid filtration.



# CONTAMINATION MANAGEMENT

## - CUMULATIVE DISTRIBUTION OF THE PARTICLES SIZE - ISO 4406

The level of contamination is defined by counting the number of particles of certain dimensions per unit of volume of fluid. Measurement is performed by Automatic Particle Analysers (APCs).

Following the count, the contamination classes are determined, corresponding to the number of particles detected in the unit of fluid.

The most common classification methods follow ISO 4406 and SAE AS 4059 (Aerospace Sector) regulations. NAS 1638 is still used although obsolete.

### Classification example according to ISO 4406

The International Standards Organization standard ISO 4406 is the preferred method of quoting the number of solid contaminant particles in a sample. The level of contamination is defined by counting the number of particles of certain dimensions per unit of volume of fluid. The measurement is performed by Automatic Particle Analysers (APCs) or Particle Contamination Monitors (PCMs).

The numbers represent a code which identifies the number of particles of certain sizes in 1 ml of fluid. Each code number has a particular size range. The first scale number represents the number of particles equal to or larger than 4  $\mu\text{m}_{(c)}$  per millilitre of fluid; The second scale number represents the number of particles equal to or larger than 6  $\mu\text{m}_{(c)}$  per millilitre of fluid; The third scale number represents the number of particles equal to or larger than 14  $\mu\text{m}_{(c)}$  per millilitre of fluid.

ISO 4406 - Allocation of Scale Numbers

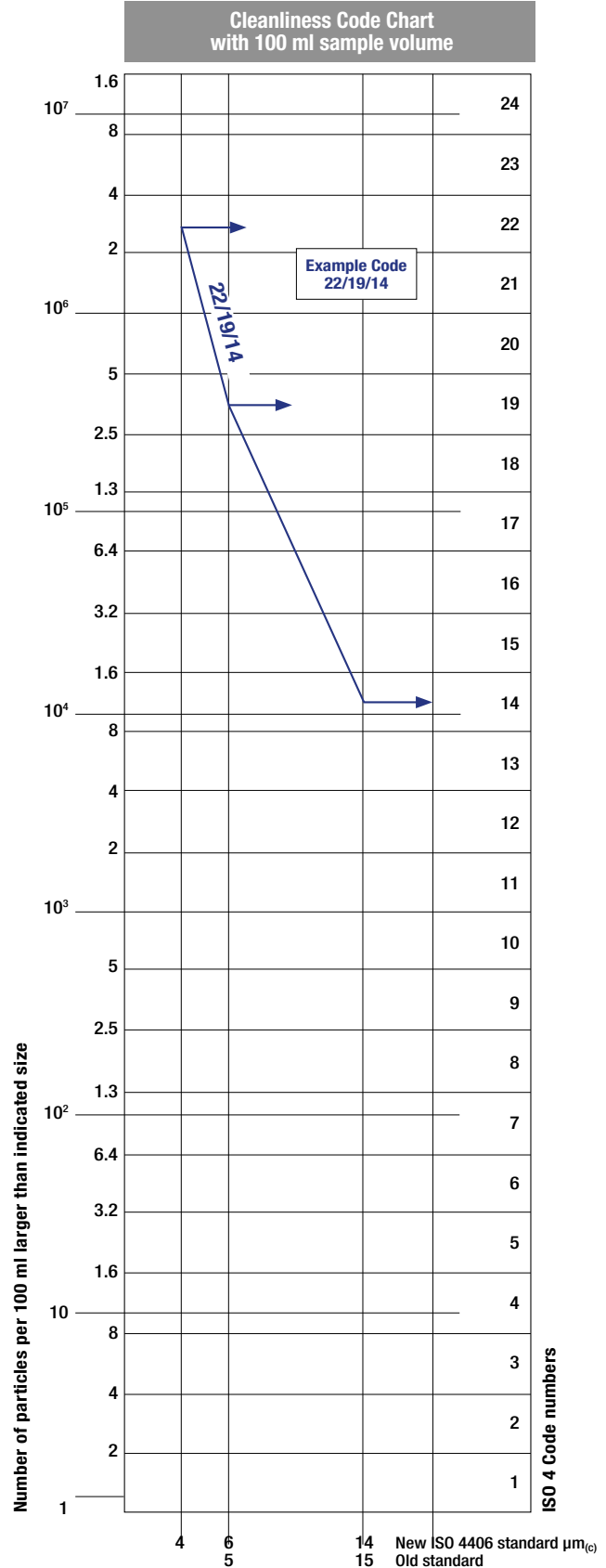
Class	Number of particles per ml	
	Over	Up to
28	1 300 000	2 500 000
27	640 000	1 300 000
26	320 000	640 000
25	160 000	320 000
24	80 000	160 000
23	40 000	80 000
22	20 000	40 000
21	10 000	20 000
20	5 000	10 000
19	2 500	5 000
18	1 300	2 500
17	640	1 300
16	320	640
15	160	320
14	80	160
13	40	80
12	20	40
11	10	20
10	5	10
9	2.5	5
8	1.3	2.5
7	0.64	1.3
6	0.32	0.64
5	0.16	0.32
4	0.08	0.16
3	0.04	0.08
2	0.02	0.04
1	0.01	0.02
0	0	0.01

- > 4  $\mu\text{m}_{(c)}$  = 350 particles
  - > 6  $\mu\text{m}_{(c)}$  = 100 particles
  - > 14  $\mu\text{m}_{(c)}$  = 25 particles
- 16 / 14 / 12

## ISO 4406 Cleanliness Code System

Microscope counting examines the particles differently to APCs and the code is given with two scale numbers only.

These are at 5  $\mu\text{m}$  and 15  $\mu\text{m}$  equivalent to the 6  $\mu\text{m}_{(c)}$  and 14  $\mu\text{m}_{(c)}$  of APCs.





- CUMULATIVE DISTRIBUTION OF THE PARTICLES SIZE  
SAE AS4059-1 and SAE AS4059-2

## Classification example according to SAE AS4059 - Rev. G

The code, prepared for the aerospace industry, is based on the size, quantity, and particle spacing in a 100 ml fluid sample. The contamination classes are defined by numeric codes, the size of the contaminant is identified by letters (A-F).

This SAE Aerospace Standard (AS) defines cleanliness levels for particulate contamination of hydraulic fluids and includes methods of reporting data relating to the contamination levels. Tables 1 and 2 below provide differential and cumulative particle counts respectively for counts obtained by an automatic particle counter, e.g. LPA3.

Table 1 - Class for differential measurement

Class	Dimension of contaminant Maximum Contamination Limits per 100 ml					(3)	
	5-15 $\mu\text{m}$	15-25 $\mu\text{m}$	25-50 $\mu\text{m}$	50-100 $\mu\text{m}$	>100 $\mu\text{m}$		(1)
	6-14 $\mu\text{m}_{(c)}$	14-21 $\mu\text{m}_{(c)}$	21-38 $\mu\text{m}_{(c)}$	38-70 $\mu\text{m}_{(c)}$	>70 $\mu\text{m}_{(c)}$		
00	125	22	4	1	0		
0	250	44	8	2	0		
1	500	89	16	3	1		
2	1 000	178	32	6	1		
3	2 000	356	63	11	2		
4	4 000	712	126	22	4		
5	8 000	1 425	253	45	8		
6	16 000	2 850	506	90	16		
7	32 000	5 700	1 012	180	32		
8	64 000	11 400	2 025	360	64		
9	128 000	22 800	4 050	720	128		
10	256 000	45 600	8 100	1 440	256		
11	512 000	91 200	16 200	2 880	512		
12	1 024 000	182 400	32 400	5 760	1 024		

6 - 14 $\mu\text{m}_{(c)}$ = 15 000 particles
14 - 21 $\mu\text{m}_{(c)}$ = 2 200 particles
21 - 38 $\mu\text{m}_{(c)}$ = 200 particles
38 - 70 $\mu\text{m}_{(c)}$ = 35 particles
> 70 $\mu\text{m}_{(c)}$ = 3 particles
SAE AS4059 REV G - Class 6

(1) Size range, optical microscope, based on longest dimension as measured per AS598 or ISO 4407. (2) Size range, APC calibrated per ISO 11171 or an optical or electron microscope with image analysis software, based on projected area equivalent diameter.

Table 2 - Class for cumulative measurement

Class	Dimension of contaminant Maximum Contamination Limits per 100 ml					
	>1 $\mu\text{m}$	>5 $\mu\text{m}$	>15 $\mu\text{m}$	>25 $\mu\text{m}$	>50 $\mu\text{m}$	>100 $\mu\text{m}$
	>4 $\mu\text{m}_{(c)}$	>6 $\mu\text{m}_{(c)}$	>14 $\mu\text{m}_{(c)}$	>21 $\mu\text{m}_{(c)}$	>38 $\mu\text{m}_{(c)}$	>70 $\mu\text{m}_{(c)}$
000	195	76	14	3	1	0
00	390	152	27	5	1	0
0	780	304	54	10	2	0
1	1 560	609	109	20	4	1
2	3 120	1 217	217	39	7	1
3	6 250	2 432	432	76	13	2
4	12 500	4 864	864	152	26	4
5	25 000	9 731	1 731	306	53	8
6	50 000	19 462	3 462	612	106	16
7	100 000	38 924	6 924	1 224	212	32
8	200 000	77 849	13 849	2 449	424	64
9	400 000	155 698	27 698	4 898	848	128
10	800 000	311 396	55 396	9 796	1 696	256
11	1 600 000	622 792	110 792	19 592	3 392	512
12	3 200 000	1 245 584	221 584	39 184	6 784	1 024

> 4 $\mu\text{m}_{(c)}$ = 45 000 particles
> 6 $\mu\text{m}_{(c)}$ = 15 000 particles
> 14 $\mu\text{m}_{(c)}$ = 1 500 particles
> 21 $\mu\text{m}_{(c)}$ = 250 particles
> 38 $\mu\text{m}_{(c)}$ = 15 particles
> 70 $\mu\text{m}_{(c)}$ = 3 particle
SAE AS4059 REV G cpc* Class 6 6/6/5/5/4/2

\* cumulative particle count

(1) Size range, optical microscope, based on longest dimension as measured per AS598 or ISO 4407. (2) Size range, APC calibrated per ISO 11171 or an optical or electron microscope with image analysis software, based on projected area equivalent diameter. (3) Contamination classes and particle count limits are identical to NAS 1638.

- CLASSES OF CONTAMINATION ACCORDING TO NAS 1638 (January 1964)

The NAS system was originally developed in 1964 to define contamination classes for the contamination contained within aircraft components.

The application of this standard was extended to industrial hydraulic systems simply because nothing else existed at the time.

The coding system defines the maximum numbers permitted of 100 ml volume at various size intervals (differential counts) rather than using cumulative counts as in ISO 4406. Although there is no guidance given in the standard on how to quote the levels, most industrial users quote a single code which is the highest recorded in all sizes and this convention is used on MP Filtri APC's.

The contamination classes are defined by a number (from 00 to 12) which indicates the maximum number of particles per 100 ml, counted on a differential basis, in a given size bracket.

Size Range Classes (in microns)

Class	Maximum Contamination Limits per 100 ml				
	5-15	15-25	25-50	50-100	>100
00	125	22	4	1	0
0	250	44	8	2	0
1	500	89	16	3	1
2	1 000	178	32	6	1
3	2 000	356	63	11	2
4	4 000	712	126	22	4
5	8 000	1 425	253	45	8
6	16 000	2 850	506	90	16
7	32 000	5 700	1 012	180	32
8	64 000	11 400	2 025	360	64
9	128 000	22 800	4 050	720	128
10	256 000	45 600	8 100	1 440	256
11	512 000	91 200	16 200	2 880	512
12	1 024 000	182 400	32 400	5 760	1 024

5-15 $\mu\text{m}$ = 42 000 particles
15-25 $\mu\text{m}$ = 2 200 particles
25-50 $\mu\text{m}$ = 150 particles
50-100 $\mu\text{m}$ = 18 particles
> 100 $\mu\text{m}$ = 3 particles
Class NAS 8

- CUMULATIVE DISTRIBUTION OF THE PARTICLES SIZE - ISO 4407

The level of contamination is defined by counting the number of particles collected by a laboratory membrane per unit of fluid volume. The measurement is done by a microscope. The membrane must be cleaned, dried and desiccated, with fluid and conditions defined by the Standard. The fluid volume is filtered through the membrane, using a suitable suction system.

The level of contamination is identified by dividing the membrane into a predefined number of areas and by counting the contaminant particles using a suitable laboratory microscope.

MICROSCOPE CONTROL AND MEASUREMENT



Example figure 1 and 2

COMPARISON PHOTOGRAPHS  
1 graduation = 10 $\mu\text{m}$

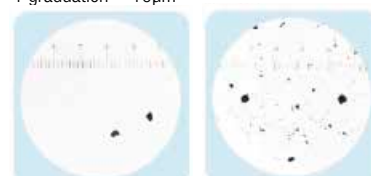


Fig. 1

Fig. 2

For other comparison photographs for contamination classes see the "Fluid Condition and Filtration Handbook".

## - CLEANLINESS CODE COMPARISON

Although ISO 4406 standard is being used extensively within the hydraulics industry other standards are occasionally required and a comparison may be requested. The table below gives a very general comparison but often no direct comparison is possible due to the different classes and sizes involved.

ISO 4406	SAE AS4059 Table 2	SAE AS4059 Table 1	NAS 1638
> 4 $\mu\text{m}_{(c)}$ 6 $\mu\text{m}_{(c)}$ 14 $\mu\text{m}_{(c)}$	> 4 $\mu\text{m}_{(c)}$ 6 $\mu\text{m}_{(c)}$ 14 $\mu\text{m}_{(c)}$	4-6 6-14 14-21 21-38 38-70 >70	5-15 15-25 25-50 50-100 >100
23 / 21 / 18	13A / 12B / 12C	12	12
22 / 20 / 17	12A / 11B / 11C	11	11
21 / 19 / 16	11A / 10B / 10C	10	10
20 / 18 / 15	10A / 9B / 9B	9	9
19 / 17 / 14	9A / 8B / 8C	8	8
18 / 16 / 13	8A / 7B / 7C	7	7
17 / 15 / 12	7A / 6B / 6C	6	6
16 / 14 / 11	6A / 5B / 5C	5	5
15 / 13 / 10	5A / 4B / 4C	4	4
14 / 12 / 09	4A / 3B / 3C	3	3

## 5 FILTRATION TECHNOLOGIES

Various mechanisms such as mechanical stoppage, magnetism, gravimetric deposit, or centrifugal separation can be used to reduce the level of contamination.

The mechanical stoppage method is most effective and can take place in two ways:

### - SURFACE FILTRATION

It is by direct interception. The filter prevents particles larger than the pores from continuing in the plant / system. Surface filters are generally manufactured with metal canvases or meshes.

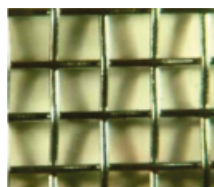
### - DEPTH FILTERING

Filters are constructed by fiber interlacing. Such wraps form pathways of different shapes and sizes in which the particles remain trapped when they find smaller apertures than their diameter.

Depth filters are generally produced with papers impregnated with phenolic resins, metal fibers or inorganic fibers.

In inorganic fiber filtration, commonly called microfibre, the filtering layers are often overlapped in order to increase the ability to retain the contaminant.

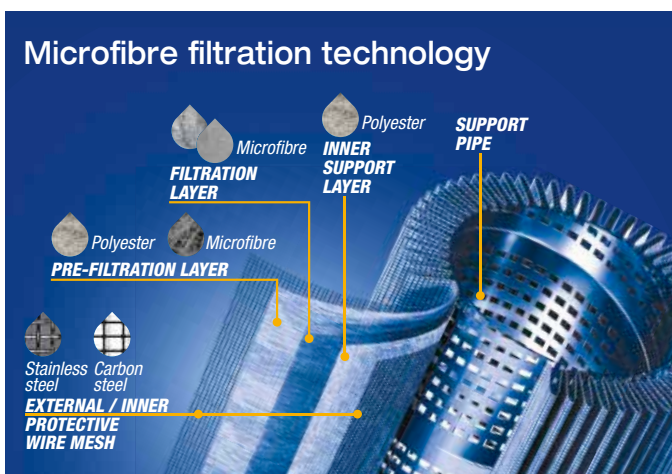
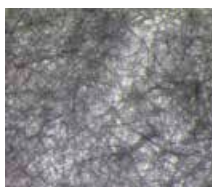
#### WIRE MESH FILTRATION



#### PAPER FILTRATION



#### MICROFIBER FILTRATION



The filtration efficiency of metallic mesh filtrations is defined as the maximum particle size that can pass through the meshes of the filtering grid.

The efficiency of microfibre and paper filtration ( $\beta_{x(c)}$ ) is defined through a lab test called Multipass Test. The efficiency value ( $\beta_{x(c)}$ ) is defined as the ratio between the number of particles of certain dimensions detected upstream and downstream of the filter.

$$\frac{\text{Upstream particles number} > X \mu\text{m}_{(c)}}{\text{Downstream particles number} > X \mu\text{m}_{(c)}} = \beta_{x(c)}$$



Value ( $\beta_{x(c)}$ )	2	10	75	100	200	1000
Efficiency	50%	90%	98.7%	99%	99.5%	99.9%

Test conditions, such as type of fluid to be used (MIL-H-5606), type of contaminant to be used (ISO MTD), fluid viscosity, test temperature, are determined by ISO 16889.

In addition to the filtration efficiency value during the Multipass test, other important features, such as filtration stability ( $\beta$  stability) and dirt holding capacity (DHC), are also tested.

Poor filtration stability is the cause of the filtering quality worsening as the filter life rises. Low dirt holding capacity causes a reduction in the life of the filter.

#### Filtration ISO Standard Comparison

$\beta_{x(c)} > 1000$ ISO 16889	$\beta_x > 200$ ISO 4572	MP Filtri Filter media code
5 $\mu\text{m}_{(c)}$	3 $\mu\text{m}$	A03
7 $\mu\text{m}_{(c)}$	6 $\mu\text{m}$	A06
10 $\mu\text{m}_{(c)}$	10 $\mu\text{m}$	A10
16 $\mu\text{m}_{(c)}$	18 $\mu\text{m}$	A16
21 $\mu\text{m}_{(c)}$	25 $\mu\text{m}$	A25

## 6 RECOMMENDED CONTAMINATION CLASSES

Any are the nature and the properties of fluids, they are inevitably subject to contamination. The level of contamination can be managed by using special components called filters.

Hydraulic components builders, knowing the problem of contamination, recommend the filtration level appropriate to the use of their products.

Example of recommended contamination levels for pressures below 140 bar.

Piston pumps with fixed flow rate	•					
Piston pumps with variable flow rate			•			
Vane pumps with fixed flow rate		•				
Vane pumps with variable flow			•			
Engines	•					
Hydraulic cylinders	•					
Actuators					•	
Test benches						•
Check valve	•					
Directional valves	•					
Flow regulating valves	•					
Proportional valves				•		
Servo-valves					•	
Flat bearings			•			
Ball bearings				•		
ISO 4406 CODE	20/18/15	19/17/14	18/16/13	17/15/12	16/14/11	15/13/10
Recommended filtration $\beta_{x(c)} \geq 1.000$	$\beta_{21(c)} > 1000$	$\beta_{15(c)} > 1000$	$\beta_{10(c)} > 1000$	$\beta_{7(c)} > 1000$	$\beta_{7(c)} > 1000$	$\beta_{5(c)} > 1000$
MP Filtri media code	A25	A16	A10	A06	A06	A03

The common classification of filters is determined by their position in the plant.

## 7 TYPES OF FILTERS

### Suction filters

They are positioned before the pump and are responsible for protecting the pump from dirty contaminants. It also provides additional flow guidance to the pump suction line.

Being subject to negligible working pressures are manufactured with simple and lightweight construction.

They are mainly produced with gross grade surface filtrations, mainly  $60 \div 125 \mu\text{m}$ .

They can be equipped with a magnetic filter for retaining ferrous particles.

They are generally placed under the fluid head to take advantage of the piezometric thrust of the fluid and reduce the risk of cavitation.

There are two types of suction filters:

#### - IMMERSION FILTERS

Simple filter element screwed on the suction pipe

#### - FILTERS WITH CONTAINER

Container filters that are more bulky, but provide easier maintenance of the tank

### Delivery (or Pressure) filters

They are positioned between the pump and most sensitive regulating and controlling components, such as servo valves or proportional valves, and are designed to ensure the class of contamination required by the components used in the circuit.

Being subjected to high working pressures are manufactured with more robust and articulated construction. In particular situations of corrosive environments or aggressive fluids can be made of stainless steel.

They are mainly produced with filtering depths of  $3 \div 25 \mu\text{m}$ .

They can be manufactured with in-line connections, with plate or flange connections or directly integrated into the circuit control blocks / manifolds.

They can also be manufactured in duplex configuration to allow the contaminated section to be maintained even when the plant / system is in operation without interruption of the working cycle.

### Return filters

They are positioned on the return line to the tank and perform the task of filtering the fluid from particles entering the system from the outside or generated by the wear of the components.

They are generally fixed to the reservoir (for this reason also called top tank mounted), positioned semi-immersed or completely immersed.

The positioning of the return filters must guarantee in all operating conditions that the fluid drainage takes place in immersed condition; this is to avoid creating foams in the tank that can cause malfunctions or cavitation in the pumps.

For the sizing of the return filters, account must be taken of the presence of accumulators or cylinders that can make the return flow considerably greater than the pump suction flow rate.

Being subject to contained working pressures are manufactured with simple and lightweight construction.

Normally it is possible to extract the filter element without disconnecting the filter from the rest of the system.

### Combined filters

They are designed to be applied to systems with two or more circuits. They are commonly used in hydrostatic transmission machines where they have a dual filtration function of the return line and suction line of the hydrostatic transmission pump.

The filter is equipped with a valve that keeps the 0.5 bar pressure inside the filter. A portion of the fluid that returns to the tank is filtered by the return filter element, generally produced with absolute filtration, and returns to the transmission booster pump.

Only excess fluid returns to the tank through the valve.

The internal pressure of the filter and the absolute filtration help to avoid the cavitation phenomenon inside the pump.

### Off-line filters

They are generally used in very large systems / plants, placed in a closed circuit independent from the main circuit. They remain in operation regardless of the operation of the main circuit and are crossed by a constant flow rate.

They can also be manufactured in duplex configuration to allow the contaminated section to be maintained even when the unit is in operation without interruption of the work cycle.

### Venting filters

During the operation of the plants, the fluid level present in the reservoir changes continuously.

The result of this continuous fluctuation is an exchange of air with the outside environment.

The venting filter function, positioned on the tank, is to filter the air that enters the tank to compensate for fluid level variations.

## 8 FILTER SIZING PARAMETERS

The choice of the filter system for an hydraulic system is influenced by several factors.

It is necessary to consider the characteristics of the various components present in the plant and their sensitivity to contamination.

It is also necessary to consider all the tasks that the filter will have to do within the plant:

- FLUID PROTECTION FROM CONTAMINATION
- PROTECTION OF OLEODYNAMIC COMPONENTS SENSITIVE TO CONTAMINATION
- PROTECTION OF OLEODYNAMIC PLANTS FROM ENVIRONMENTAL WASTE
- PROTECTION OF OLEODYNAMIC PLANTS FROM CONTAMINATION CAUSED BY COMPONENTS' FAILURES

The advantages of proper positioning and sizing of the filters are

- MORE RELIABILITY OF THE SYSTEM
- LONGER LIFE OF THE FLUID COMPONENTS
- REDUCTION OF STOP TIME
- REDUCTION OF FAILURE CASUALTIES

Each hydraulic filter is described by general features that identify the possibility of use in different applications.

- **MAXIMUM WORKING PRESSURE ( $P_{max}$ )**

The maximum working pressure of the filter must be greater than or equal to the pressure of the circuit section in which it will be installed.

- **PRESSURE DROP ( $\Delta P$ )**

The pressure drop depends on a number of factors, such as the working circuit temperature, the fluid viscosity, the filter element cleaning condition.

- **WORKING TEMPERATURE ( $T$ )**

The working temperature deeply affect the choice of materials. Excessively high or low temperatures may adversely affect the strength of the materials or the characteristics of the seals.

- **FILTRATION EFFICIENCY (%) / FILTRATION RATIO ( $\beta_{x(c)}$ )**

Filtration efficiency is the most important parameter to consider when selecting a filter.

When choosing the filtration performances, the needs of the most sensitive components in the system must be considered.

- **FLUID TYPE**

The type of fluid influences the choice of filters in terms of compatibility and viscosity. It is always mandatory to check the filterability.

- **PLACEMENT IN THE PLANT**

The position of the filter in the system conditions the efficiency of all filter performances.

## 9 APPLICABLE STANDARDS FOR FILTER DEVELOPMENT

In order to obtain unique criteria for development and verification of the filters performance, specific regulations for the filters and filter elements testing have been issued by ISO. These norms describe the target, the methodology, the conditions and the presentation methods for the test results.

### ISO 2941

*Hydraulic fluid power -- Filter elements -- Verification of collapse/burst pressure rating*

This Standard describes the method for testing the collapse / burst resistance of the filter elements.

The test is performed by crossing the contaminated fluid filter element at a predefined flow rate. The progressive clogging of the filter element, determined by contamination, causes an increase in differential pressure.

### ISO 2942

*Hydraulic fluid power -- Filter elements -- Verification of fabrication integrity and determination of the first bubble point*

This Standard describes the method to verify the integrity of the assembled filter elements.

It can be used to verify the quality of the production process or the quality of the materials by verifying the pressure value of the first bubble point.

### ISO 2943

*Hydraulic fluid power -- Filter elements -- Verification of material compatibility with fluids*

This Standard describes the method to verify the compatibility of materials with certain hydraulic fluids.

The test is carried out by keeping the element (the material sample) immersed in the fluid under high or low temperature conditions for a given period of time and verifying the retention of the characteristics.

### ISO 3723

*Hydraulic fluid power -- Filter elements -- Method for end load test*

This Standard describes the method for verifying the axial load resistance of the filter elements.

After performing the procedure described in ISO 2943, the designed axial load is applied to the filter element. To verify the test results, then the test described in ISO 2941 is performed.

### ISO 3968

*Hydraulic fluid power -- Filters -- Evaluation of differential pressure versus flow characteristics*

This Standard describes the method for checking the pressure drop across the filter.

The test is carried out by crossing the filter from a given fluid and by detecting upstream and downstream pressures.

Some of the parameters defined by the Standard are the fluid, the test temperature, the size of the tubes, the position of the pressure detection points.

### ISO 16889

*Hydraulic fluid power -- Filters -- Multi-pass method for evaluating filtration performance of a filter element*

This Standard describes the method to check the filtration characteristics of the filter elements.

The test is performed by constant introduction of contaminant (ISO MTD). The characteristics observed during the test are the filtration efficiency and the dirty holding capacity related to the differential pressure.

## ISO 23181

*Hydraulic fluid power -- Filter elements -- Determination of resistance to flow fatigue using high viscosity fluid*

This Standard describes the method for testing the fatigue resistance of the filter elements. The test is carried out by subjecting the filter to continuous flow variations, thus differential pressure, using a high viscosity fluid.

## ISO 11170

*Hydraulic fluid power -- Sequence of tests for verifying performance characteristics of filter elements*

The Standard describes the method for testing the performance of filter elements. The protocol described by the regulations provides the sequence of all the tests described above in order to verify all the working characteristics (mechanical, hydraulic and filtration).

## ISO 10771-1

*Hydraulic fluid power -- Fatigue pressure testing of metal pressure-containing envelopes -- Test method*

This Standard describes the method to check the resistance of the hydraulic components with pulsing pressure.

It can be applied to all metal components (excluding tubes) subject to cyclic pressure used in the hydraulic field.

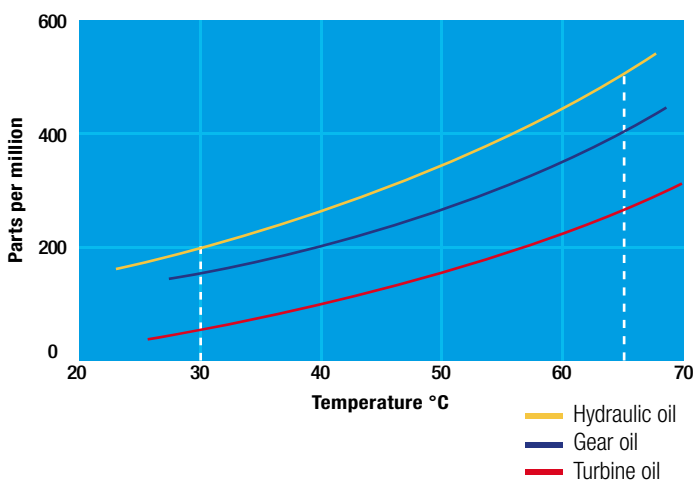
## 10 WATER IN HYDRAULIC AND LUBRICATING FLUIDS

### Water Content

In mineral oils and non aqueous resistant fluids water is undesirable. Mineral oil usually has a water content of 50-300 ppm (@40°C) which it can support without adverse consequences.

Once the water content exceeds about 300ppm the oil starts to appear hazy. Above this level there is a danger of free water accumulating in the system in areas of low flow. This can lead to corrosion and accelerated wear.

Similarly, fire resistant fluids have a natural water which may be different to mineral oil.



### Saturation Levels

Since the effects of free (also emulsified) water is more harmful than those of dissolved water, water levels should remain well below the saturation point.

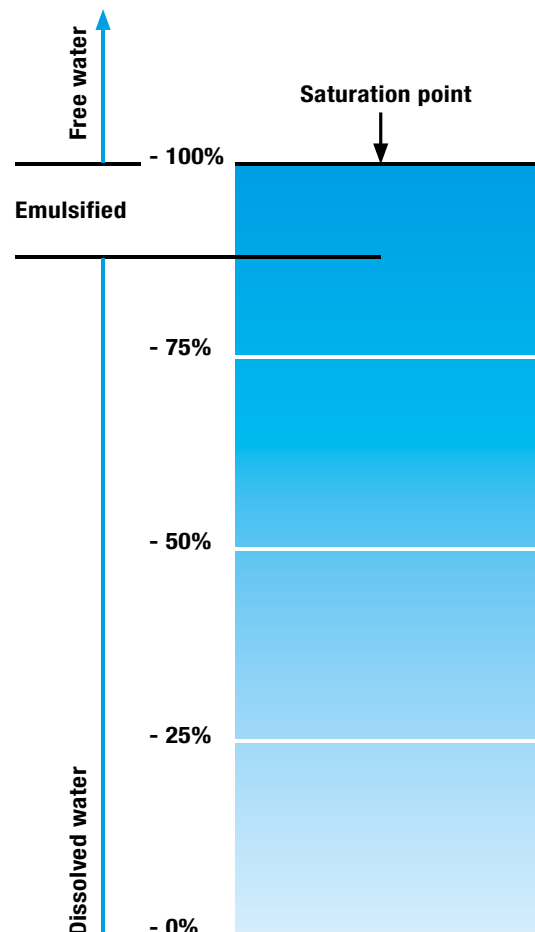
However, even water in solution can cause damage and therefore every reasonable effort should be made to keep saturation levels as low as possible. There is no such thing as too little water. As a guideline, we recommend maintaining saturation levels below 50% in all equipment.

### TYPICAL WATER SATURATION LEVEL FOR NEW OILS

Examples:

Hydraulic oil @ 30°C = 200 ppm = 100% saturation

Hydraulic oil @ 65°C = 500 ppm = 100% saturation



## Water absorber

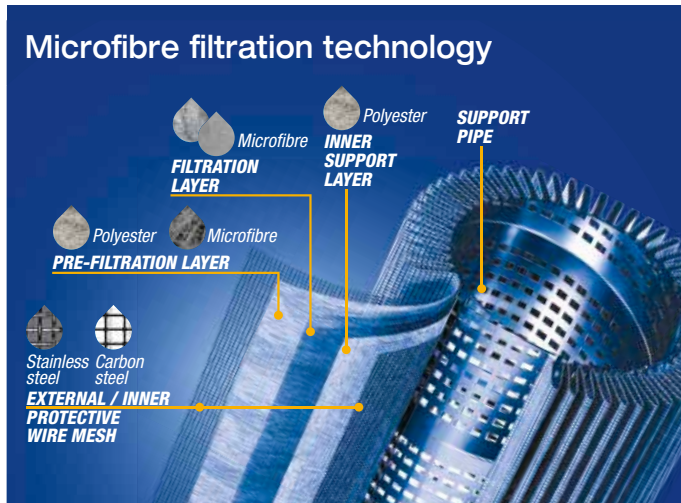
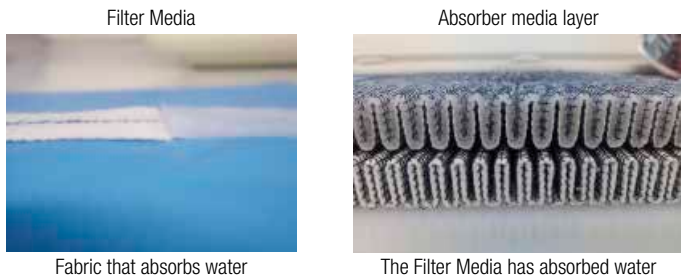
Water is present everywhere, during storage, handling and servicing.

MP Filtri filter elements feature an absorbent media which protects hydraulic systems from both particulate and water contamination.

MP Filtri's filter element technology is available with inorganic microfiber media with a filtration rating 25 µm (therefore identified with media designation WA025), providing absolute filtration of solid particles to  $\beta_{x(c)} = 1000$ .

Absorbent media is made by water absorbent fibres which increase in size during the absorption process.

Free water is thus bonded to the filter media and completely removed from the system (it cannot even be squeezed out).



By removing water from your fluid power system, you can prevent such key problems as:

- corrosion (metal etching)
- loss of lubricant power
- accelerated abrasive wear in hydraulic components
- valve-locking
- bearing fatigue
- viscosity variance (reduction in lubricating properties)
- additive precipitation and oil oxidation
- increase in acidity level
- increased electrical conductivity (loss of dielectric strength)
- slow/weak response of control systems

### Product availability:

LOW & MEDIUM PRESSURE FILTERS - LMP Series

LMP 210	LMP 900
LMP 211	LMP 901
LMP 400	LMP 902
LMP 401	LMP 903
LMP 430	LMP 950

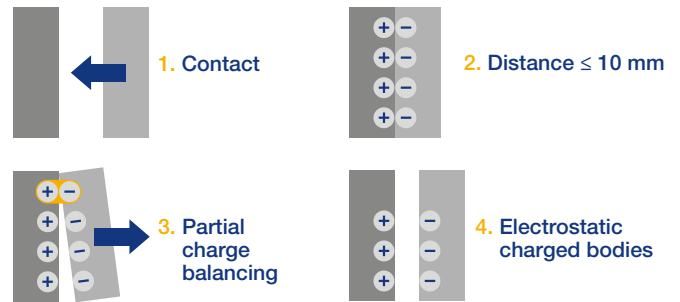
## 11 THE ANTI-STATIC FILTERS



zerospark is a specialist solution designed to solve the problem of electrostatic discharge inside hydraulic filters. Caused by the electrical charge build-up due to the passage of oil through the filters, this can result in damage to filter elements, oils and circuit components. It can even cause fire hazards in environments where flammable materials are present.

### THE TRIBOELECTRIC EFFECT

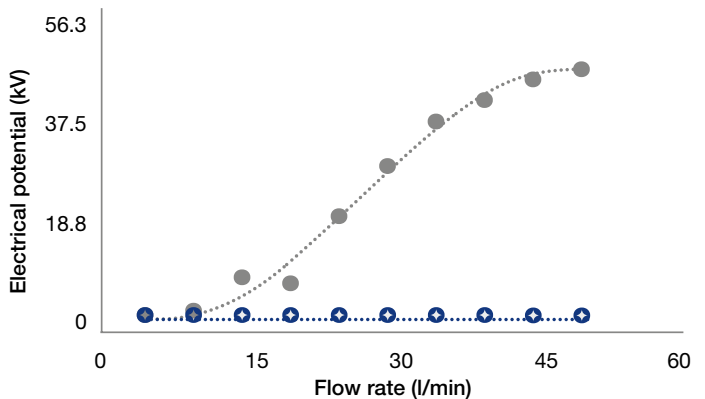
The body with the most electronegativity strips electrons from the other, generating a build-up of a net negative charge on itself. The other body is charged by the same amount but with the opposite sign, giving rise to very high potential differences. These, if not dissipated, can give rise to electrostatic discharges.



### DISSIPATIVE FILTER ELEMENTS

To solve the problem of charge build-up in filters, MP Filtri has developed an innovative solution. By replacing certain insulating components with conductive zerospark versions, the charges on the media are free to move towards the head and are thus dissipated to the ground.

- ⊕ Dissipative elements
- Standard elements



Under standard working conditions, the potential goes from tens of kV to zero, clearly showing the effectiveness of our dissipative filters.

The following table summarises some examples of test results at the same flow rate and temperature for elements of the same size but made of different materials.

Filter element	Electrical potential (kV)	Current (µA)
<b>Standard</b> glass microfibre	11	-6.0
<b>Dissipative</b> glass microfibre	0	-9.0
<b>Standard</b> cellulose	6	-1.3
<b>Dissipative</b> cellulose	0	-2.1
Other glass microfibre	9-15	-7.0
Other glass microfibre	3-8	-16.0

When using a synthetic oil instead of mineral oil, the values and sign of the two electrical quantities may vary.

Filter element	Mineral oil	Synthetic oil
	Electrical potential (kV)	
<b>Standard</b> glass microfibre	+11	+30
<b>Dissipative</b> glass microfibre	0	~0.0
<b>Standard</b> cellulose	+6	-43
<b>Dissipative</b> cellulose	0	~0.0

# FILTER SIZING

## INDEX

	Page
CALCULATION	23
CORRECTIVE FACTOR	24



**THE CORRECT FILTER SIZING HAS TO BE BASED ON THE TOTAL PRESSURE DROP DEPENDING BY THE APPLICATION.**

FOR EXAMPLE, THE MAXIMUM TOTAL PRESSURE DROP ALLOWED BY A NEW AND CLEAN RETURN FILTER HAVE TO BE IN THE RANGE 0.4 - 0.6 bar / 5.80 - 8.70 psi.

The pressure drop calculation is performed by adding together the value of the housing with the value of the filter element. The pressure drop  $\Delta pc$  of the housing is proportional to the fluid density ( $\text{kg}/\text{dm}^3$  /  $\text{lb}/\text{ft}^3$ ). The filter element pressure drop  $\Delta pe$  is proportional to its viscosity ( $\text{mm}^2/\text{s}$  / SUS), the corrective factor Y have to be used in case of an oil viscosity different than  $30 \text{ mm}^2/\text{s}$  (cSt) / 150 SUS.

**Sizing data for single filter element, head at top**

- $\Delta pc$  = Filter housing pressure drop [bar / psi]
- $\Delta pe$  = Filter element pressure drop [bar / psi]
- Y = Corrective factor Y (see correspondent table), depending on the filter type, on the filter element size, on the filter element length and on the filter media
- Q = flow rate (l/min - gpm)
- V1 reference oil viscosity =  $30 \text{ mm}^2/\text{s}$  (cSt) / 150 SUS
- V2 = operating oil viscosity in  $\text{mm}^2/\text{s}$  (cSt) / SUS

**Filter element pressure drop calculation with an oil viscosity different than  $30 \text{ mm}^2/\text{s}$  (cSt) / 150 SUS**

- International system:  
 $\Delta pe = Y : 1000 \times Q \times (V2:V1)$
- Imperial system:  
 $\Delta pe = Y : 17.2 \times Q \times (V2:V1)$

$\Delta p \text{ Tot.} = \Delta pc + \Delta pe$

Verification formula  
 $\Delta p \text{ Tot.} \leq \Delta p \text{ max allowed}$

**Maximum total pressure drop ( $\Delta p \text{ max}$ ) allowed by a new and clean filter**

Application	Range:[ bar ]	[ psi ]
Suction filters	0.08 - 0.10 bar	1.16 - 1.45 psi
Return filters	0.4 - 0.6 bar	5.80 - 8.70 psi
Return - Suction filters (*)	0.8 - 1.0 bar	11.60 - 14.50 psi
Low & Medium Pressure filters	0.4 - 0.6 bar	5.80 - 8.70 psi return lines
	0.3 - 0.5 bar	4.35 - 7.25 psi lubrication lines
	0.3 - 0.4 bar	4.35 - 5.80 psi off-line in power systems
	0.1 - 0.3 bar	1.45 - 4.35 psi off-line in test benches
High Pressure filters	0.4 - 0.6 bar	5.80 - 8.7 psi over-boost
	0.8 - 1.5 bar	11.60 - 21.75 psi
Stainless Steel filters	0.8 - 1.5 bar	11.60 - 21.75 psi

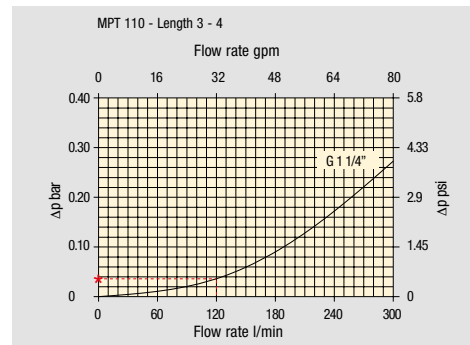
(\*)The suction flow rate should not exceed 30% of the return flow rate

**Generic filter calculation example**

- Application data:
- Tank top return filter
- Pressure Pmax = 10 bar
- Flow rate Q = 120 l/min
- Viscosity V2 =  $46 \text{ mm}^2/\text{s}$  (cSt)
- Oil density =  $0.86 \text{ kg}/\text{dm}^3$
- Required filtration efficiency =  $25 \mu\text{m}$  with absolute filtration
- With bypass valve and G 1 1/4" inlet connection

Calculation:

$\Delta pc = 0.03 \text{ bar} / 0.43 \text{ psi}$  (see graphic below)



Filter housings  $\Delta p$  pressure drop. The curves are plotted using mineral oil with density of  $0.86 \text{ kg}/\text{dm}^3$  in compliance with ISO 3968.  $\Delta p$  varies proportionally with density.

$\Delta pe = (2.00 : 1000) \times 120 \times (46 : 30) = 0.37 \text{ bar}$   
 $\Delta pe = (2.00 : 17.2) \times 32 \times (216 : 150) = 5.36 \text{ psi}$

Filter element	Absolute filtration H Series					Nominal filtration N Series		
	A03	A06	A10	A16	A25	P10	P25	M25 M60 M90
<b>Return filters</b>	74.00	50.08	20.00	16.00	9.00	6.43	5.51	4.40
<b>MF 020</b>	2 29.20	24.12	8.00	7.22	5.00	3.33	2.85	2.00
	3 22.00	19.00	6.56	5.33	4.33	1.68	1.44	1.30
<b>MF 030</b>	74.00	50.08	20.00	16.00	9.00	6.43	5.51	3.40
<b>MF 100</b>	1 28.20	24.40	8.67	8.17	6.88	4.62	3.96	1.25
	2 17.33	12.50	6.86	5.70	4.00	3.05	2.47	1.10
<b>MF 100</b>	3 10.25	9.00	3.65	3.33	2.50	1.63	1.32	0.96
	4 6.10	5.40	2.30	2.20	2.00	1.19	0.96	0.82

$\Delta p \text{ Tot.} = 0.03 + 0.37 = 0.4 \text{ bar}$   
 $\Delta p \text{ Tot.} = 0.43 + 5.36 = 5.79 \text{ psi}$

The selection is correct because the total pressure drop value is inside the admissible range for top tank return filters. In case the allowed max total pressure drop is not verified, it is necessary to repeat the calculation changing the filter length/size.

# FILTER SIZING Corrective factor

Corrective factor Y to be used for the filter element pressure drop calculation. The values depend to the filter size and length and to the filter media.  
Reference oil viscosity 30 mm<sup>2</sup>/s

## Return filters

Filter element	Absolute filtration H Series					Nominal filtration N Series			
	Type	A03	A06	A10	A16	A25	P10	P25	M25 M60 M90
MF 020	1	74.00	50.08	20.00	16.00	9.00	6.43	5.51	4.40
	2	29.20	24.12	8.00	7.22	5.00	3.33	2.85	2.00
	3	22.00	19.00	6.56	5.33	4.33	1.68	1.44	1.30
MF 030 MFX 030	1	74.00	50.08	20.00	16.00	9.00	6.43	5.51	3.40
MF 100 MFX 100	1	28.20	24.40	8.67	8.17	6.88	4.62	3.96	1.25
	2	17.33	12.50	6.86	5.70	4.00	3.05	2.47	1.10
	3	10.25	9.00	3.65	3.33	2.50	1.63	1.32	0.96
	4	6.10	5.40	2.30	2.20	2.00	1.19	0.96	0.82
MF 180 MFX 180	1	3.67	3.05	1.64	1.56	1.24	1.18	1.06	0.26
	2	1.69	1.37	0.68	0.54	0.51	0.43	0.39	0.12
MF 190 MFX 190	2	1.69	1.37	0.60	0.49	0.44	0.35	0.31	0.11
MF 400 MFX 400	1	3.20	2.75	1.39	1.33	1.06	0.96	0.87	0.22
	2	2.00	1.87	0.88	0.85	0.55	0.49	0.45	0.13
	3	1.90	1.60	0.63	0.51	0.49	0.39	0.35	0.11
MF 750 MFX 750	1	1.08	0.84	0.49	0.36	0.26	0.21	0.19	0.06
MLX 250	2	3.00	3.04	1.46	1.25	1.17	-	-	M25 0.20
MLX 660	2	1.29	1.26	0.52	0.44	0.38	-	-	M25 0.10
CU 025		78.00	48.00	28.00	24.00	9.33	9.33	8.51	1.25
CU 040		25.88	20.88	10.44	10.00	3.78	3.78	3.30	1.25
CU 100		15.20	14.53	5.14	4.95	2.00	2.00	0.17	1.10
CU 250		3.25	2.55	1.55	1.35	0.71	0.71	0.59	0.25
CU 630		1.96	1.68	0.85	0.72	0.42	0.42	0.36	0.09
CU 850		1.06	0.84	0.42	0.33	0.17	0.17	0.13	0.04
DH 250	2	3.61	4.08	1.81	1.71	1.35	-	-	M25 0.55
	4	2.10	1.70	1.14	0.77	0.53	-	-	0.60
MR 100	1	19.00	17.00	6.90	6.30	4.60	2.94	2.52	1.60
	2	11.70	10.80	4.40	4.30	3.00	2.94	2.52	1.37
	3	7.80	6.87	3.70	3.10	2.70	2.14	1.84	1.34
	4	5.50	4.97	2.60	2.40	2.18	1.72	1.47	1.34
	5	4.20	3.84	2.36	2.15	1.90	1.60	1.37	1.34
MR 250	1	5.35	4.85	2.32	1.92	1.50	1.38	1.20	0.15
	2	4.00	3.28	1.44	1.10	1.07	0.96	0.83	0.13
	3	2.60	2.20	1.08	1.00	0.86	0.77	0.64	0.12
	4	1.84	1.56	0.68	0.56	0.44	0.37	0.23	0.11
MR 630	1	3.10	2.48	1.32	1.14	0.92	0.83	0.73	0.09
	2	2.06	1.92	0.82	0.76	0.38	0.33	0.27	0.08
	3	1.48	1.30	0.60	0.56	0.26	0.22	0.17	0.08
	4	1.30	1.20	0.48	0.40	0.25	0.21	0.16	0.08
	5	0.74	0.65	0.30	0.28	0.13	0.10	0.08	0.04
MR 850	1	0.60	0.43	0.34	0.25	0.13	0.12	0.09	0.03
	2	0.37	0.26	0.23	0.21	0.11	0.08	0.07	0.03
	3	0.27	0.18	0.17	0.17	0.05	0.04	0.04	0.02
	4	0.23	0.16	0.13	0.12	0.04	0.03	0.03	0.02

## Return / Suction filters

Filter element	Absolute filtration								
	Type	A10	A16	A25					
RSX 116	1	5.12	4.33	3.85					
	2	2.22	1.87	1.22					
RSX 165 RSX 166	1	2.06	1.75	1.46					
	2	1.24	1.05	0.96					
	3	0.94	0.86	0.61					
Filter element	Absolute filtration N Series								
	Type	A03	A06	A10	A16	A25	P10	P25	M25 M60 M90
CU 110	1	16.25	15.16	8.75	8.14	5.87	2.86	2.65	0.14
	2	12.62	10.44	6.11	6.02	4.16	1.60	1.49	0.12
	3	8.57	7.95	5.07	4.07	2.40	1.24	1.15	0.11
	4	5.76	4.05	2.80	2.36	1.14	0.91	0.85	0.05

## Low & Medium pressure filters

Filter element	Absolute filtration N-W Series					Nominal filtration N Series			
	Type	A03	A06	A10	A16	A25	P10	P25	M25
CU 110	1	16.25	15.16	8.75	8.14	5.87	2.86	2.65	0.14
	2	12.62	10.44	6.11	6.02	4.15	1.60	1.49	0.12
	3	8.57	7.95	5.07	4.07	2.40	1.24	1.15	0.11
	4	5.76	4.05	2.80	2.36	1.14	0.91	0.85	0.05
CU 210	1	5.30	4.80	2.00	1.66	1.32	0.56	0.43	0.12
	2	3.44	2.95	1.24	1.09	0.70	0.42	0.35	0.09
	3	2.40	1.70	0.94	0.84	0.54	0.33	0.23	0.05
DN	016	7.95	7.20	3.00	2.49	1.98	0.84	0.65	0.18
	025	5.00	4.53	1.89	1.57	1.25	0.53	0.41	0.11
	040	3.13	2.66	1.12	0.98	0.63	0.38	0.32	0.08
CU 400	2	3.13	2.55	1.46	1.22	0.78	0.75	0.64	0.19
	3	2.15	1.70	0.94	0.78	0.50	0.40	0.34	0.10
	4	1.60	1.28	0.71	0.61	0.40	0.34	0.27	0.08
	5	1.00	0.83	0.47	0.34	0.20	0.24	0.19	0.06
	6	0.82	0.58	0.30	0.27	0.17	0.22	0.18	0.05
	CU 900	1	0.86	0.63	0.32	0.30	0.21	-	-
CU 950	2	1.03	0.80	0.59	0.40	0.26	-	-	0.05
	3	0.44	0.40	0.27	0.18	0.15	-	-	0.02
MR 630	7	0.88	0.78	0.36	0.34	0.16	0.12	0.96	0.47

**Corrective factor Y to be used for the filter element pressure drop calculation. The values depend to the filter size and length and to the filter media.**  
Reference oil viscosity 30 mm<sup>2</sup>/s

## High pressure filters

Filter element	Absolute filtration N - R Series					Nominal filtration N Series	
	Type	A03	A06	A10	A16	A25	M25
HP 011	1	332.71	250.07	184.32	152.36	128.36	-
	2	220.28	165.56	74.08	59.13	37.05	-
	3	123.24	92.68	41.48	33.08	20.72	-
	4	77.76	58.52	28.37	22.67	16.17	-
HP 039	2	70.66	53.20	25.77	20.57	14.67	4.90
	3	36.57	32.28	18.00	13.38	8.00	2.90
	4	26.57	23.27	12.46	8.80	5.58	2.20
HP 050	1	31.75	30.30	13.16	12.3	7.29	1.60
	2	24.25	21.26	11.70	9.09	4.90	1.40
	3	17.37	16.25	8.90	7.18	3.63	1.25
	4	12.12	10.75	6.10	5.75	3.08	1.07
	5	7.00	6.56	3.60	3.10	2.25	0.80
HP 065	1	58.50	43.46	23.16	19.66	10.71	1.28
	2	42.60	25.64	16.22	13.88	7.32	1.11
	3	20.50	15.88	8.18	6.81	3.91	0.58
HP 135	1	20.33	18.80	9.71	8.66	4.78	2.78
	2	11.14	10.16	6.60	6.38	2.22	1.11
	3	6.48	6.33	3.38	3.16	2.14	1.01
HP 150	1	17.53	15.91	7.48	6.96	5.94	1.07
	2	8.60	8.37	3.54	3.38	3.15	0.58
	3	6.53	5.90	2.93	2.79	2.12	0.49
HP 320	1	10.88	9.73	5.02	3.73	2.54	1.04
	2	4.40	3.83	1.75	1.48	0.88	0.71
	3	2.75	2.11	1.05	0.87	0.77	0.61
	4	2.12	1.77	0.98	0.78	0.55	0.47
HP 500	1	4.44	3.67	2.30	2.10	1.65	0.15
	2	3.37	2.77	1.78	1.68	1.24	0.10
	3	2.22	1.98	1.11	1.09	0.75	0.08
	4	1.81	1.33	0.93	0.86	0.68	0.05
	5	1.33	1.15	0.77	0.68	0.48	0.04
Filter element	Absolute filtration N Series						
Type	A03	A06	A10	A16	A25	M25	
HF 325	1	3.65	2.95	2.80	1.80	0.90	0.38
	2	2.03	1.73	1.61	1.35	0.85	0.36
	3	1.84	1.42	1.32	1.22	0.80	0.35

## Suction filters

Filter element	Nominal filtration N Series						
	Type	P10	P25	M25	M60	M90	M250
SF 250		0.65	0.20	0.10	0.08	0.05	0.03
SF 503		-	-	0.17	0.11	0.11	0.11
SF 504		-	-	0.11	0.08	0.08	0.08
SF 505		-	-	0.23	0.18	0.18	0.18
SF 510		-	-	0.18	0.14	0.14	0.14
SF 535		-	-	0.08	0.05	0.05	0.05
SF 540		-	-	0.05	0.04	0.04	0.04

## Stainless steel high pressure filters and Filters for potentially explosive atmosphere

Filter element	Absolute filtration N Series					
	Type	A03	A06	A10	A16	A25
HP 011	1	332.71	250.07	184.32	152.36	128.36
	2	220.28	165.56	74.08	59.13	37.05
	3	123.24	92.68	41.48	33.08	20.72
	4	77.76	58.52	28.37	22.67	16.17
HP 039	2	70.66	53.20	25.77	20.57	14.67
	3	36.57	32.28	18.00	13.38	8.00
	4	26.57	23.27	12.46	8.80	5.58
HP 050 HPX 050	1	31.75	30.30	13.16	12.3	7.29
	2	24.25	21.26	11.70	9.09	4.90
	3	17.37	16.25	8.90	7.18	3.63
	4	12.12	10.75	6.10	5.75	3.08
	5	7.00	6.56	3.60	3.10	2.25
HP 135	1	20.33	18.80	9.71	8.66	4.78
	2	11.14	10.16	6.60	6.38	2.22
	3	6.48	6.33	3.38	3.16	2.14
Filter element	Absolute filtration H - U Series					
Type	A03	A06	A10	A16	A25	
HP 011	1	424.58	319.74	235.17	194.44	163.78
	2	281.06	211.25	94.53	75.45	47.26
	3	130.14	97.50	43.63	34.82	21.81
	4	109.39	82.25	36.79	29.37	18.40
HP 039	2	73.00	57.00	28.00	24.00	17.20
	3	40.90	36.33	21.88	18.80	11.20
	4	31.50	28.22	17.22	9.30	6.70
HP 050 HPX 050	1	47.33	34.25	21.50	20.50	14.71
	2	29.10	25.95	14.04	10.90	5.88
	3	20.85	19.50	10.68	8.61	4.36
	4	14.55	12.90	7.32	6.90	3.69
	5	9.86	9.34	6.40	4.80	2.50
HP 135	1	29.16	25.33	13.00	12.47	5.92
	2	14.28	11.04	7.86	7.60	4.44
	3	8.96	7.46	4.89	4.16	3.07

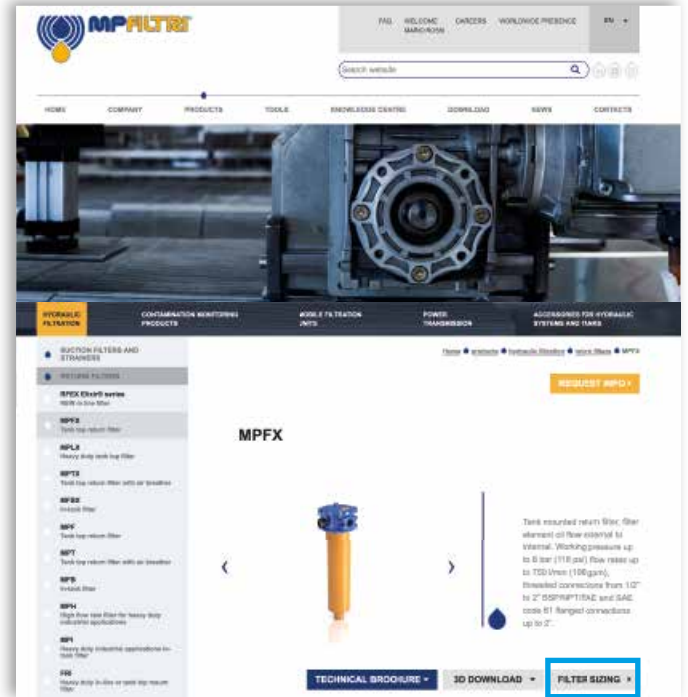
# TYPICAL FILTER SIZING Selection Software

## Step ①

Select "FILTER SIZING SOFTWARE" after login

OR

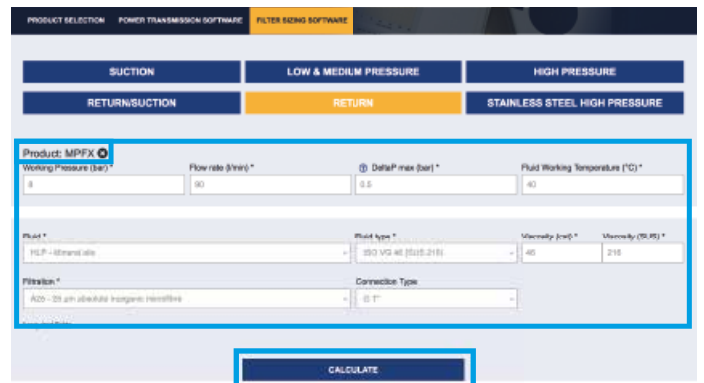
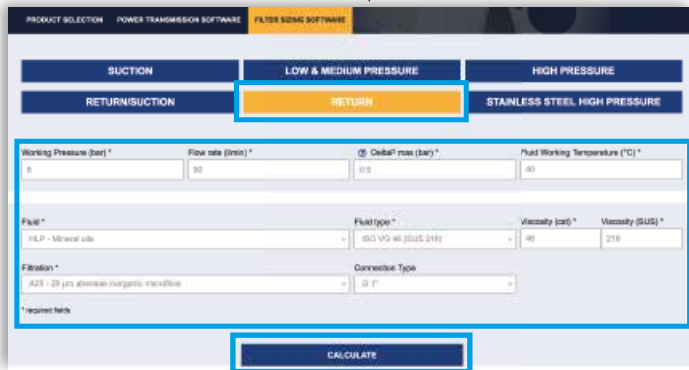
Select "FILTER SIZING" after login from a product page



Choose the type of filter family.  
Enter the main data for sizing the filter  
then push CALCULATE.

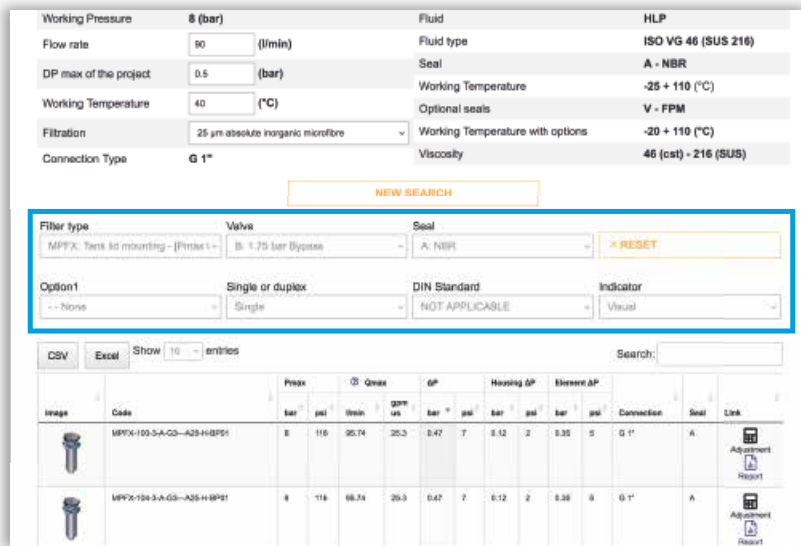
## Step ②

Enter the main data for sizing the filter  
then push CALCULATE.



## Step ③

Select the desired options to choose the appropriate filter type for the application.



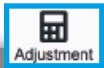
## Step 4

Choose the most suitable filter from the proposed list.

Image	Code	Peak bar	Qmax gal min	ΔP bar	Housing ΔP psi	Element ΔP bar	Connection	Seal	Link					
	MPFX-103-3-A-C3-A25-H-BPFI	8	116	25.74	25.3	0.47	T	0.12	2	0.35	5	G 1"	A	Adjustment Report
	MPFX-104-3-A-C3-A25-H-BPFI	8	116	25.74	25.3	0.47	T	0.12	2	0.35	5	G 1"	A	Adjustment Report

## Step 5

It is possible to change the filter modifying every parameter.



### A SAVE YOUR FILTER'S REPORT



### B MANUAL EDIT



SAVE IN YOUR ARCHIVE  
typing your reference data and then SAVE AS PDF

A new browser window displays the pdf

see A



Close the report window



By clicking your WELCOME button, the SHOW REPORTS is displayed: select it to see your filters list.

**Return filters are used as process and safety filters to protect pumps and hydraulic circuits from contamination as per ISO 4406.**

**They are available in 8 styles:**

- **MPFX-MPF tank top semi-immersed filter with external / internal oil flow; standard filter element disassembly**
- **MPLX tank top semi-immersed filter completely interchangeable with Pall 8420 & 8520, with external / internal oil flow; easy filter element disassembly**
- **MPTX-MPT tank top semi-immersed filter with external / internal oil flow; easy filter element disassembly without any specific tool**
- **MFBX-MFB element and bowl assembly with optional cover and hold-down spring for dirtbox or molded tank applications**
- **MPH tank top semi-immersed filter with internal / external oil flow, therefore keeping the dirt inside the bowl and not on the filter element; standard filter element disassembly, magnetic filter as option**
- **MPI semi-immersed filter element specifically designed to be mounted directly on the oil tank; magnetic filter as option**
- **FRI, the oldest tank top semi-immersed return filter manufactured by MP FILTRI, with external / internal oil flow; available in the single or duplex versions with outlet connection, it can be used also as in-line filter**
- **RF2 semi-immersed filter with shut-off valve for side tank mounting, with external / internal oil flow; easy filter element disassembly without any specific tool.**

## FILTER SIZING

For the proper corrective factor Y see chapter at page 24

# Return filters



RFEX ELIXIR®	page 68
MPFX	78
MPLX	106
MPTX	114
MFBX	132
MPF	141
MPT	169
MFB	187

MDH	page 195
MPH	203
MPI	227
FRI	239
RF2	255
ACCESSORIES	262
INDICATORS	680



THE X CONCEPT FOR OUR FILTERS

Protect the performance of your system with MYclean.  
Quality and efficiency are fundamental for MP Filtri:  
this exclusive new filter element possesses polygon shape geometry and specific seal  
that ensures only original spare parts can be used - ensuring correct operation and  
higher system reliability.

RFEX series

with MYCLEAN FEX Filter Element



- **Protects the machine from improper use of non-original products.**
- **Safety of constant quality protection & reliability**

With exclusive filter element you are sure that only MP Filtri filter elements can be used, ensuring the best cleaning level of the oil due to the use of originals filter elements.



The products identified as RFEX are protected by:

- Italian Patent n° 102014902261205
- Canadian Patent n° 2,937,258
- European Patent n° 16181725.9
- US Patent n° 15/224,337



# RFEX series

Maximum working pressure up to 1.6 MPa (16 bar) - Flow rate up to 260 l/min



## Description

## Technical data

### Return filter

**Maximum working pressure up to 1.6 MPa (16 bar)**  
**Flow rate up to 260 l/min**

RFEX is a range of return filters for protection of the reservoir against the system contamination. They are mounted in line to limit aeration or foam generation into the reservoir.

#### Available features:

- Female threaded connections up to 1 1/4" and flanged connections up to 1 5/8", for a maximum flow rate of 260 l/min
- Fine filtration rating, to get a good cleanliness level into the reservoir
- Bypass valve, to relieve excessive pressure drop across the filter media
- Visual, electrical, axial and radial pressure gauges
- MYclean interface connection for the filter element, to protect the product against non-original spare parts
- External protective wrap, to optimize the flow through the element and to save the element efficiency against non-proper handling

#### Common applications:

- Light Industrial equipment
- Mobile application

### Filter housing materials

- Head: Aluminium
- Bypass valve: Polyamide - Steel
- Bowl: Polyamide

### Bypass valve

Opening pressure 175 kPa (1.75 bar)  $\pm 10\%$

### $\Delta p$ element type

- Microfibre filter elements - series N: 8 bar
- Fluid flow through the filter element from OUT to IN

### Seals

Standard NBR series A

### Temperature

From -25 °C to +110 °C

### Note

RFEX filters are provided for vertical mounting

## Weights [kg] and volumes [dm<sup>3</sup>]

Filter series	Weights [kg]	Volumes [dm <sup>3</sup> ]
<b>RFEX 060</b>	1.00	0.60
<b>RFEX 080</b>	1.15	0.80
<b>RFEX 110</b>	1.90	1.60
<b>RFEX 160</b>	2.10	2.00

## Hydraulic symbols

Filter series	Style S	Style B
<b>RFEX 060</b>	•	•
<b>RFEX 080</b>	•	•
<b>RFEX 110</b>	•	•
<b>RFEX 160</b>	•	•

### Filter element design - N Series

Filter series	A10	A16	A25	M60	M90	P10	P25
<b>RFX 060</b>	52	53	55	71	72	54	59
<b>RFX 080</b>	59	59	62	73	74	65	68

Connections of filter under test G 3/4"

Filter series	A10	A16	A25	M60	M90	P10	P25
<b>RFX 060</b>	60	61	64	87	89	62	77
<b>RFX 080</b>	69	70	75	91	92	79	93

Connections of filter under test G 1"

Filter series	A10	A16	A25	M60	M90	P10	P25
<b>RFX 110</b>	141	153	172	250	252	186	196
<b>RFX 160</b>	166	168	191	255	256	207	215

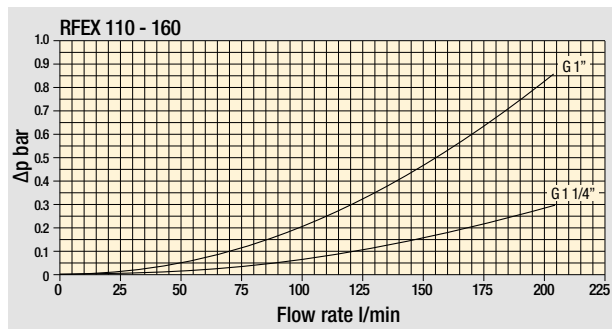
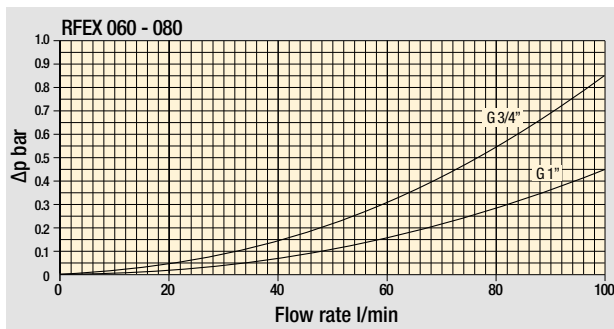
Connections of filter under test G 1 1/4"

### Maximum flow rate for a complete return filter with a pressure drop $\Delta p = 0.5$ bar.

The reference fluid has a kinematic viscosity of 30 mm<sup>2</sup>/s (cSt) and a density of 0.86 kg/dm<sup>3</sup>.

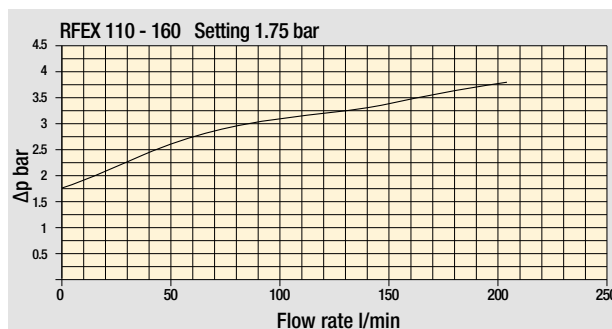
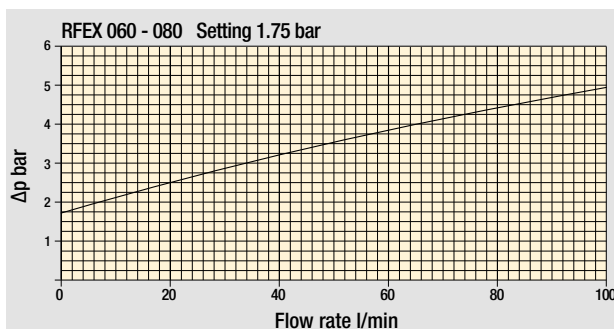
For different pressure drop or fluid viscosity we recommend to use our selection software available on [www.mpfiltri.com](http://www.mpfiltri.com).

Please, contact our Sales Department for further additional information.



Pressure drop

Filter housings  
 $\Delta p$  pressure drop



Bypass valve  
pressure drop

The curves are plotted using mineral oil with density of 0.86 kg/dm<sup>3</sup> in compliance with ISO 3968.

$\Delta p$  varies proportionally with density.

# RFEX RFEX060 - RFEX080

## Designation & Ordering code

### COMPLETE FILTER

<b>Series and size</b>	Configuration example: <b>RFEX060</b>							<b>B</b>	<b>A</b>	<b>A</b>	<b>6</b>	<b>A10</b>	<b>N</b>	<b>P01</b>
<b>RFEX060</b> Filter featuring  Filter Element														
<b>RFEX080</b> Filter featuring  Filter Element														
<b>Bypass valve</b>														
<b>S</b> Without bypass														
<b>B</b> 1.75 bar														
<b>Seals and treatments</b>														
<b>A</b> NBR														
<b>Connections</b>														
<b>A</b> G 3/4"														
<b>B</b> G 1"														
<b>C</b> 3/4" NPT														
<b>D</b> 1" NPT														
<b>E</b> SAE 12 - 1 1/16" - 12 UN														
<b>F</b> SAE 16 - 1 5/16" - 12 UN														
<b>Connection for clogging indicator</b>														
<b>6</b> With plugged connections														
<b>Filtration rating</b>														
<b>A10</b> Inorganic microfiber 10 µm	<b>P10</b> Resin impregnated paper 10 µm													
<b>A16</b> Inorganic microfiber 16 µm	<b>P25</b> Resin impregnated paper 25 µm													
<b>A25</b> Inorganic microfiber 25 µm														
<b>M60</b> Wire mesh 60 µm														
<b>M90</b> Wire mesh 90 µm														
	<b>Element Δp</b>							<b>Execution</b>						
	<b>N</b> 8 bar							<b>P01</b> MP Filtri standard						
								<b>Pxx</b> Customized						

### FILTER ELEMENT

<b>Element series and size</b>	Configuration example: <b>FEX060</b>							<b>A10</b>	<b>A</b>	<b>N</b>	<b>P01</b>
<b>FEX060</b> Filter Element with  feature											
<b>FEX080</b> Filter Element with  feature											
<b>Filtration rating</b>											
<b>A10</b> Inorganic microfiber 10 µm	<b>P10</b> Resin impregnated paper 10 µm										
<b>A16</b> Inorganic microfiber 16 µm	<b>P25</b> Resin impregnated paper 25 µm										
<b>A25</b> Inorganic microfiber 25 µm											
<b>M60</b> Wire mesh 60 µm											
<b>M90</b> Wire mesh 90 µm											
<b>Seals and treatments</b>											
<b>A</b> NBR											
	<b>Element Δp</b>							<b>Execution</b>			
	<b>N</b> 8 bar							<b>P01</b> MP Filtri standard			
								<b>Pxx</b> Customized			

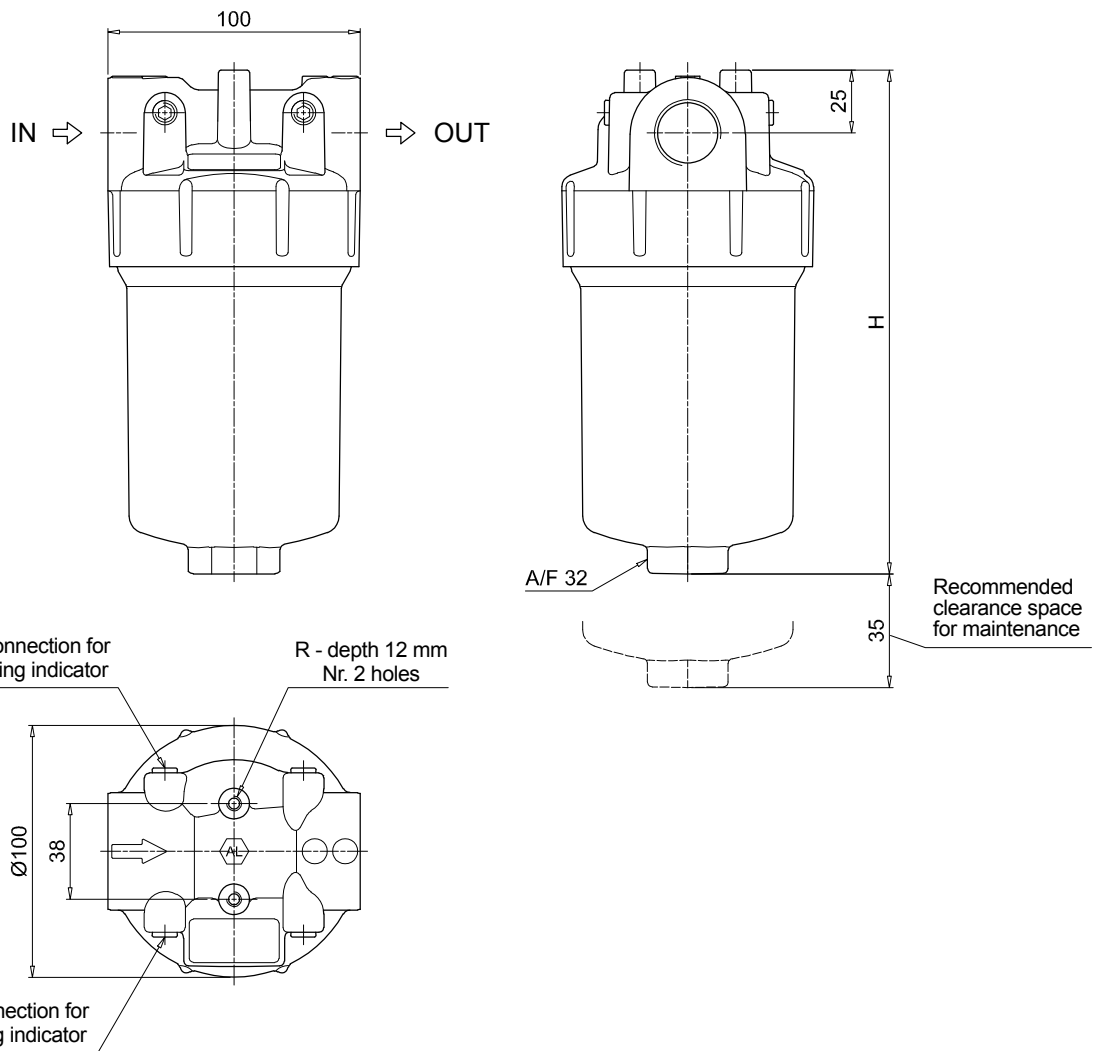
### CLOGGING INDICATORS

See page 680-681

<b>BEA</b> Electrical pressure indicator	<b>BVA</b> Axial pressure gauge
<b>BEM</b> Electrical pressure indicator	<b>BVR</b> Radial pressure gauge
<b>BLA</b> Electrical / visual pressure indicator	<b>BVP</b> Visual pressure indicator with automatic reset
	<b>BVQ</b> Visual pressure indicator with manual reset

Filter size	H [mm]
<b>060</b>	202
<b>080</b>	265

Connections	T	R
<b>A</b>	G 1/8"	M6
<b>B</b>	G 1/8"	M6
<b>C</b>	1/8" NPT	1/4" UNC
<b>D</b>	1/8" NPT	1/4" UNC
<b>E</b>	1/8" NPT	1/4" UNC
<b>F</b>	1/8" NPT	1/4" UNC



## Designation & Ordering code

### COMPLETE FILTER

<b>Series and size</b>	Configuration example: <b>RFEX110</b> <b>B</b> <b>A</b> <b>A</b> <b>6</b> <b>A10</b> <b>N</b> <b>P01</b>							
<b>RFEX110</b> Filter featuring  Filter Element								
<b>RFEX160</b> Filter featuring  Filter Element								
<b>Bypass valve</b>								
<b>S</b> Without bypass								
<b>B</b> 1.75 bar								
<b>Seals and treatments</b>								
<b>A</b> NBR								
<b>Connections</b>								
<b>A</b> G 1"								
<b>B</b> G 1 1/4"								
<b>C</b> 1" NPT								
<b>D</b> 1 1/4" NPT								
<b>E</b> SAE 16 - 1 5/16" - 12 UN								
<b>F</b> SAE 20 - 1 5/8" - 12 UN								
<b>Connection for clogging indicator</b>								
<b>6</b> With plugged connections								
<b>Filtration rating</b>								
<b>A10</b> Inorganic microfiber 10 µm								
<b>A16</b> Inorganic microfiber 16 µm								
<b>A25</b> Inorganic microfiber 25 µm								
<b>M60</b> Wire mesh 60 µm								
<b>M90</b> Wire mesh 90 µm								
<b>P10</b> Resin impregnated paper 10 µm								
<b>P25</b> Resin impregnated paper 25 µm								
						<b>Element Δp</b>	<b>Execution</b>	
						<b>N</b> 8 bar	<b>P01</b> MP Filtri standard	
							<b>Pxx</b> Customized	

### FILTER ELEMENT

<b>Element series and size</b>	Configuration example: <b>FEX110</b> <b>A10</b> <b>A</b> <b>N</b> <b>P01</b>				
<b>FEX110</b> Filter Element with  feature					
<b>FEX160</b> Filter Element with  feature					
<b>Filtration rating</b>					
<b>A10</b> Inorganic microfiber 10 µm					
<b>A16</b> Inorganic microfiber 16 µm					
<b>A25</b> Inorganic microfiber 25 µm					
<b>M60</b> Wire mesh 60 µm					
<b>M90</b> Wire mesh 90 µm					
<b>P10</b> Resin impregnated paper 10 µm					
<b>P25</b> Resin impregnated paper 25 µm					
<b>Seals and treatments</b>					
<b>A</b> NBR					
					<b>Element Δp</b>
					<b>N</b> 8 bar
					<b>Execution</b>
					<b>P01</b> MP Filtri standard
					<b>Pxx</b> Customized

### CLOGGING INDICATORS

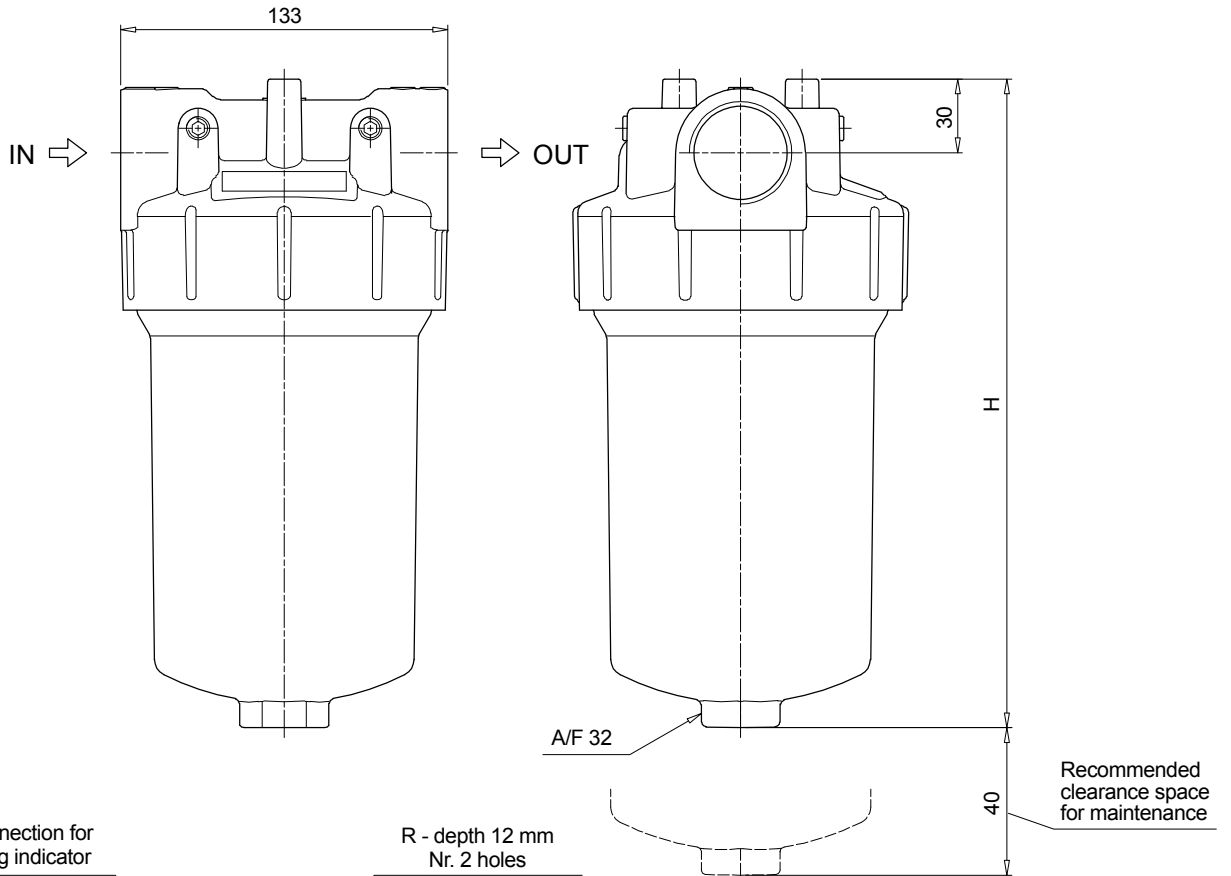
See page 680-681

<b>BEA</b> Electrical pressure indicator	<b>BVA</b> Axial pressure gauge
<b>BEM</b> Electrical pressure indicator	<b>BVR</b> Radial pressure gauge
<b>BLA</b> Electrical / visual pressure indicator	<b>BVP</b> Visual pressure indicator with automatic reset
	<b>BVQ</b> Visual pressure indicator with manual reset

Filter size	H [mm]	
<b>110</b>	266	
<b>160</b>	315	

Connections	T	R
<b>A</b>	G 1/8"	M8
<b>B</b>	G 1/8"	M8
<b>C</b>	1/8" NPT	5/16" UNC
<b>D</b>	1/8" NPT	5/16" UNC
<b>E</b>	1/8" NPT	5/16" UNC
<b>F</b>	1/8" NPT	5/16" UNC



T - Connection for clogging indicator

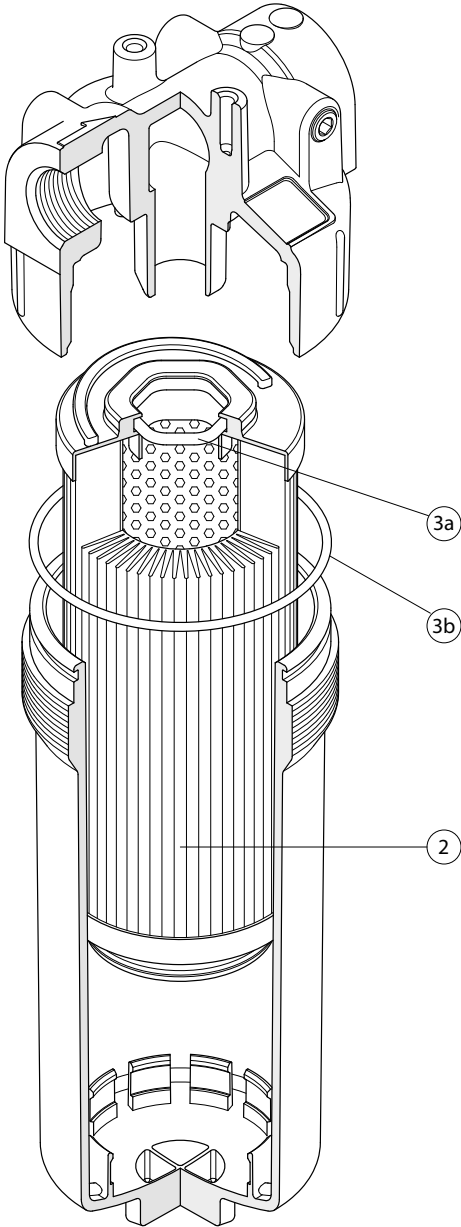
R - depth 12 mm  
Nr. 2 holes

Recommended clearance space for maintenance

T - Connection for clogging indicator

# RFEX SPARE PARTS

Order number for spare parts



Item:	Q.ty: 1 pc.	Q.ty: 1 pc.
	<b>2</b>	<b>3</b> (3a ÷ 3b)
Filter series	Filter element	Seal Kit code number NBR
<b>RFEX 060-080</b>	See order table	02050771
<b>RFEX 110-160</b>		02050772







THE X CONCEPT FOR OUR FILTERS

Protect the performance of your system with MYclean.  
Quality and efficiency are fundamental for MP Filtri:  
this exclusive new filter element possesses polygon shape geometry and specific seal that ensures only original spare parts can be used - ensuring correct operation and higher system reliability.

MPFX series

with MYCLEAN MFX Filter Element



- Protects the machine from improper use of non-original products.
- Safety of constant quality protection & reliability

With exclusive filter element you are sure that only MP Filtri filter elements can be used, ensuring the best cleaning level of the oil due to the use of originals filter elements.



The products identified as MPFX are protected by:

- Italian Patent n° 102014902261205
- Canadian Patent n° 2,937,258
- European Patent n° 16181725.9
- US Patent n° 15/224,337

TOGETHER WITH MYCLEAN, AS OPTION, MPFX SERIES CAN BE PROVIDED WITH

zerospark®  
THE ANTI-STATIC FILTERS

THE Z CONCEPT FOR OUR FILTERS



Zerospark® is a specialist solution designed to solve the problem of electrostatic discharge inside hydraulic filters. Caused by the electrical charge build-up due to the passage of oil through the filters, this can result in damage to filter elements, oils and circuit components. It can even cause fire hazards in environments where flammable materials are present.

# MPFX series

Maximum working pressure up to 800 kPa (8 bar) - Flow rate up to 900 l/min



## Description

## Technical data

### Return filter

**Maximum working pressure up to 800 kPa (8 bar)**  
**Flow rate up to 900 l/min**

MPFX is a range of return filters for protection of the reservoir against the system contamination.

They are directly fixed to the reservoir, in immersed or semi-immersed position.

The filter output must be always immersed into the fluid to avoid aeration or foam generation into the reservoir.

### Available features:

- Female threaded connections up to 2" and flanged connections up to 2", for a maximum flow rate of 900 l/min
- Multiple connections, to connect several return lines or drains
- Fine filtration rating, to get a good cleanliness level into the reservoir
- Bypass valve integrated into the filter element, to relieve excessive pressure drop across the filter media
- 2, 3 or 4 fixing holes for installation, to suit a variety of reservoir surfaces
- O-ring or Flat Seal to suit a variety of reservoir surfaces
- Oil dipstick, to easily check the level of the fluid into the reservoir (sold as separate item)
- Extension tube, to be used in deep reservoirs (sold as separate item)
- Diffuser, to reduce the risk of aeration, foaming and noise (sold as separate item)
- Filler plug, to fill cleaned fluid into the tank without an additional connection
- Visual, electrical and electronic clogging indicators
- MYclean interface connection, to protect the product against non-original spare parts
- External protective wrap, to optimize the flow through the element and to save the element efficiency against non-proper handling

### Common applications:

- Light Industrial equipment
- Mobile application

### Filter housing materials

- Head: Aluminium
- Cover  
Polyamide: MPFX 030-100-104-110  
Aluminium: MPFX 181-182-184-191-192-194-400-410-450-451-750
- Bowl: Polyamide

### Bypass valve

- Opening pressure 175 kPa (1.75 bar) ±10%
- Opening pressure 300 kPa (3 bar) ±10%

### Δp element type

- Microfiber filter elements - series H: 10 bar
- Fluid flow through the filter element from OUT to IN

### Seals

- Standard NBR series A
- Optional FPM series V

### Temperature

From -25 °C to +110 °C

### Note

MPFX filters are provided for vertical mounting

## Weights [kg] and volumes [dm<sup>3</sup>]

Filter series	Weights [kg]				Volumes [dm <sup>3</sup> ]					
	Length	1	2	3	4	Length	1	2	3	4
<b>MPFX 030</b>		0.40	-	-	-		0.29	-	-	-
<b>MPFX 100</b>		0.61	0.64	0.67	0.74		0.64	0.85	1.20	1.65
<b>MPFX 104</b>		0.82	0.96	1.02	1.25		0.64	0.85	1.20	1.65
<b>MPFX 110</b>		0.64	0.68	0.71	0.78		-	-	-	-
<b>MPFX 181</b>		2.20	3.00	-	-		2.50	4.00	-	-
<b>MPFX 182</b>		2.30	3.10	-	-		2.50	4.00	-	-
<b>MPFX 184</b>		2.55	3.45	-	-		2.65	4.45	-	-
<b>MPFX 191</b>		-	3.00	-	-		-	4.25	-	-
<b>MPFX 192</b>		-	3.10	-	-		-	4.25	-	-
<b>MPFX 194</b>		-	3.45	-	-		-	4.45	-	-
<b>MPFX 400</b>		3.35	3.65	3.90	-		3.70	4.60	5.40	-
<b>MPFX 410</b>		3.55	3.85	4.10	-		3.70	4.60	5.40	-
<b>MPFX 450-451</b>		3.95	4.25	4.50	-		3.70	4.60	5.40	-
<b>MPFX 750</b>		6.30	-	-	-		8.45	-	-	-

Filter series	Length	Filter element design - H series					Filter element design - N series		
		A03	A06	A10	A16	A25	M25 M60 M90	P10	P25
<b>MPFX 030</b>	<b>1</b>	7	10	24	29	47	84	60	66
<b>MPFX 100-104-110</b>	<b>1</b>	18	20	53	56	65	153	87	96
	<b>2</b>	28	38	65	75	95	158	111	123
	<b>3</b>	48	55	125	135	169	289	224	251
	<b>4</b>	79	89	180	185	198	306	264	289
<b>MPFX 181-182-184</b>	<b>1</b>	127	148	235	243	278	441	285	299
	<b>2</b>	231	262	358	382	388	472	404	412
<b>MPFX 191-192-194</b>	<b>2</b>	261	305	489	528	546	696	583	598
<b>MPFX 400</b>	<b>1</b>	150	171	294	304	350	585	370	390
	<b>2</b>	237	252	454	462	589	868	619	645
	<b>3</b>	248	288	553	609	621	885	680	703
<b>MPFX 410</b>	<b>1</b>	146	167	277	285	325	512	341	357
	<b>2</b>	226	239	396	402	485	644	503	519
	<b>3</b>	236	269	462	497	505	653	539	553
<b>MPFX 450-451</b>	<b>1</b>	150	171	294	304	350	585	370	390
	<b>2</b>	237	252	454	462	589	868	619	645
	<b>3</b>	248	288	553	609	621	885	680	703
<b>MPFX 750</b>	<b>1</b>	392	465	623	700	769	929	804	819

### Maximum flow rate for a complete return filter with a pressure drop $\Delta p = 0.5$ bar.

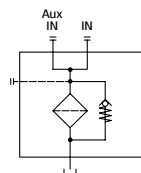
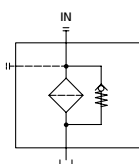
The reference fluid has a kinematic viscosity of 30 mm<sup>2</sup>/s (cSt) and a density of 0.86 kg/dm<sup>3</sup>.

For different pressure drop or fluid viscosity we recommend to use our selection software available on [www.mpfiltri.com](http://www.mpfiltri.com).

You can also calculate the right size using the formulas present on the FILTER SIZING paragraph at the beginning of the full catalogue or at the beginning of the filter family brochure. Please, contact our Sales Department for further additional information.

## Hydraulic symbols

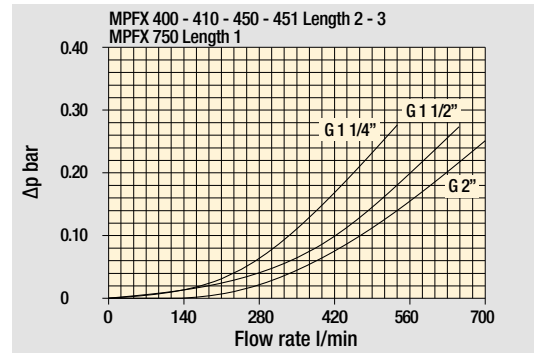
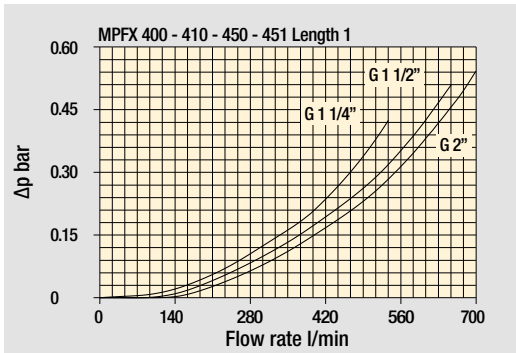
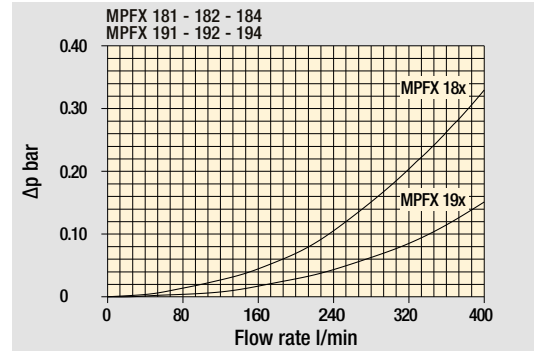
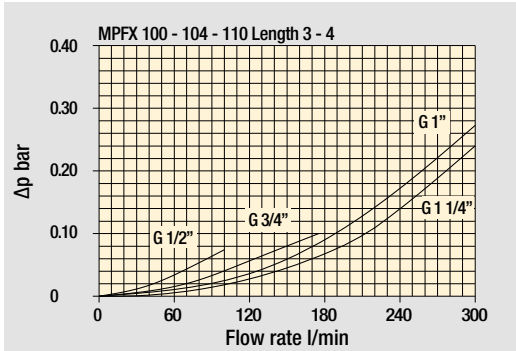
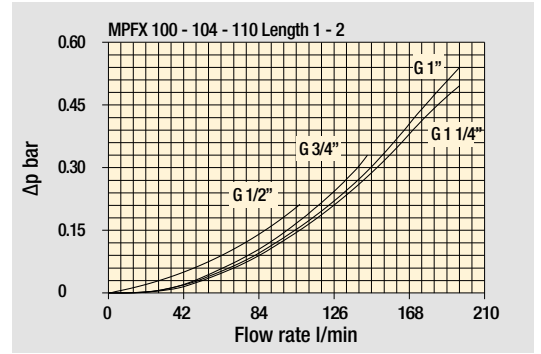
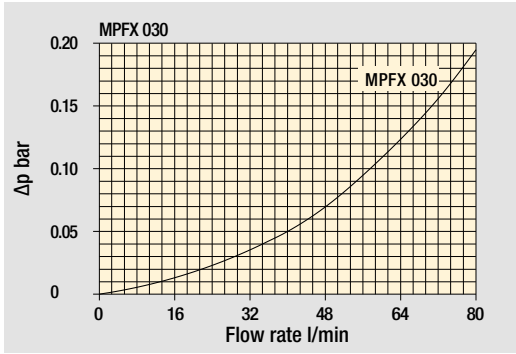
Filter series	Style 1 connection	Style 2 connections
<b>MPFX 030</b>	●	-
<b>MPFX 100</b>	●	-
<b>MPFX 104</b>	●	-
<b>MPFX 110</b>	-	●
<b>MPFX 181</b>	●	-
<b>MPFX 182</b>	-	●
<b>MPFX 184</b>	●	●
<b>MPFX 191</b>	●	-
<b>MPFX 192</b>	●	-
<b>MPFX 194</b>	●	●
<b>MPFX 400</b>	●	-
<b>MPFX 410</b>	-	●
<b>MPFX 450</b>	●	-
<b>MPFX 451</b>	-	●
<b>MPFX 750</b>	●	-



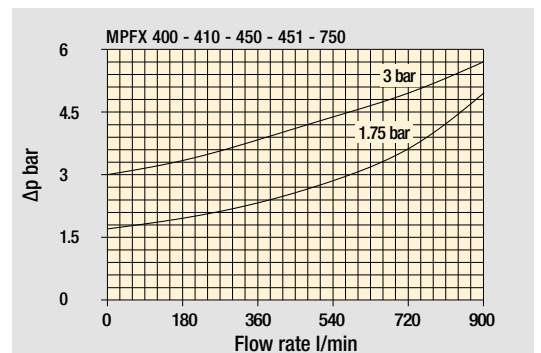
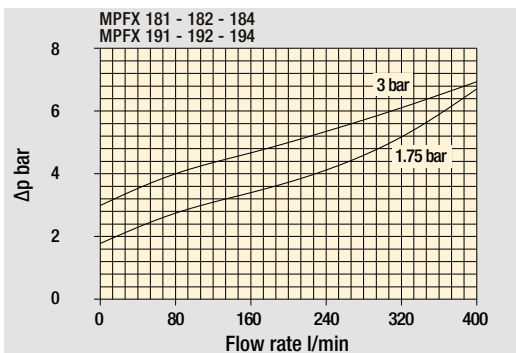
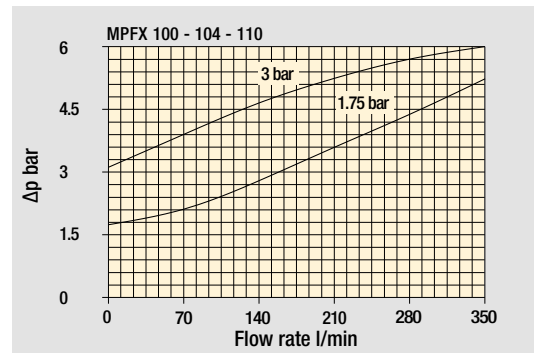
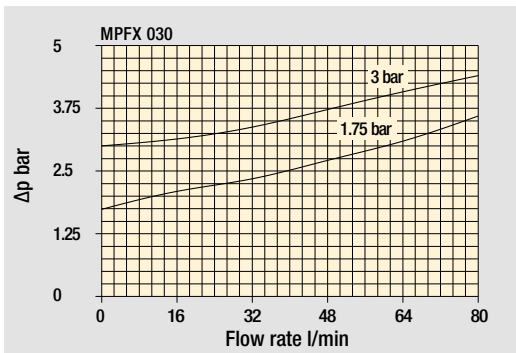
# MPFX GENERAL INFORMATION

## Pressure drop

### Filter housings $\Delta p$ pressure drop



### Bypass valve pressure drop

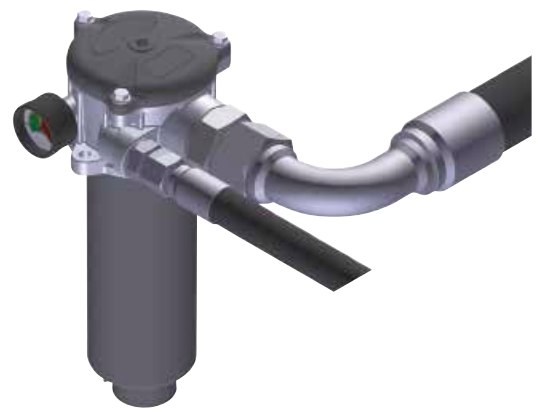


The curves are plotted using mineral oil with density of 0.86 kg/dm<sup>3</sup> in compliance with ISO 3968.  $\Delta p$  varies proportionally with density.

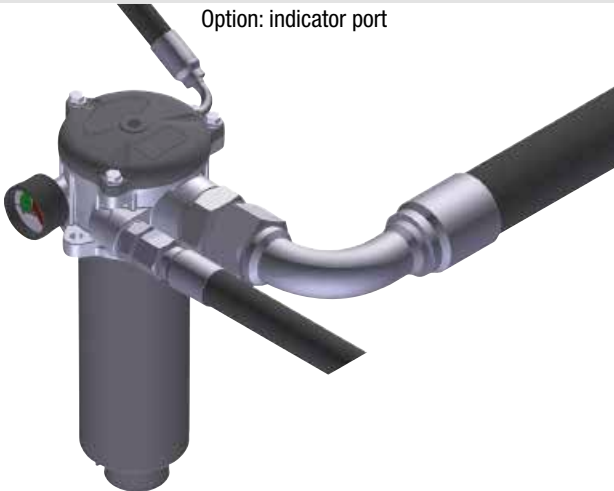
Standard - Single IN port



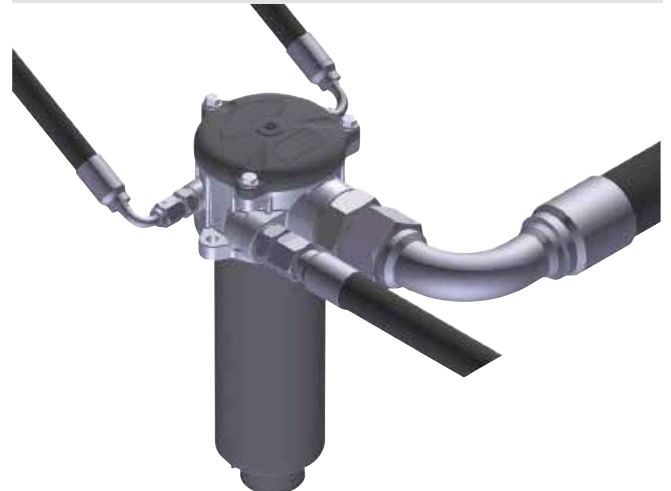
Double IN port  
Option: double indicator port



Double IN port - Drain port  
Option: indicator port



Double IN port - Double drain port



## Designation & Ordering code

### COMPLETE FILTER

<b>Series and size</b> MPFX030 Filter featuring  Filter Element	Configuration example 1: MPFX030	1	V	G1	M25	N	B	P01
	Configuration example 2: MPFX030	1	A	G4	A10	H	E	P01
<b>Length</b> 1								
<b>Seals and treatments</b>								
A NBR								
V FPM								
W NBR head anodized								
Z FPM head anodized								
<b>Connections</b>								
G1 G 1/2"								
G4 1/2" NPT								
G7 SAE 8 - 3/4" - 16 UNF								
<b>Filtration rating (filter media)</b>								
A03 Inorganic microfiber 3 µm								
A06 Inorganic microfiber 6 µm								
A10 Inorganic microfiber 10 µm								
A16 Inorganic microfiber 16 µm								
A25 Inorganic microfiber 25 µm								
M25 Wire mesh 25 µm								
M60 Wire mesh 60 µm								
M90 Wire mesh 90 µm								
P10 Resin impregnated paper 10 µm								
P25 Resin impregnated paper 25 µm								

All filter media except M60, P10 and P25 are compatible with fluids HFA, HFB and HFC

Element Δp	Filter media		
	Axx	Mxx	Pxx
N 10 bar	-	•	•
H 10 bar	•	-	-

Bypass valve	
E	3 bar
B	1.75 bar

Executions		
Base		
P01	Z01	MP Filtri standard
Pxx	Zxx	Customized

### FILTER ELEMENT

<b>Element series and size</b> MFX030 Filter Element with  feature	Configuration example 1: MFX030	1	M25	N	V		P01
	Configuration example 2: MFX030	1	A10	H	B	E	P01
<b>Element length</b> 1							
<b>Filtration rating (filter media)</b>							
A03 Inorganic microfiber 3 µm							
A06 Inorganic microfiber 6 µm							
A10 Inorganic microfiber 10 µm							
A16 Inorganic microfiber 16 µm							
A25 Inorganic microfiber 25 µm							
M25 Wire mesh 25 µm							
M60 Wire mesh 60 µm							
M90 Wire mesh 90 µm							
P10 Resin impregnated paper 10 µm							
P25 Resin impregnated paper 25 µm							

Element Δp	Filter media		
	Axx	Mxx	Pxx
N 10 bar	-	•	•
H 10 bar	•	-	-

Seals	
B	NBR
V	FPM

Bypass valve	
E	3 bar
-	1.75 bar

Executions		
Base		
P01	Z01	MP Filtri standard
Pxx	Zxx	Customized

### CLOGGING INDICATORS

See page 680-681

BVA	Axial pressure gauge
BVR	Radial pressure gauge
BVP	Visual pressure indicator with automatic reset
BVQ	Visual pressure indicator with manual reset

BEA	Electrical pressure indicator
BEM	Electrical pressure indicator
BLA	Electrical / visual pressure indicator

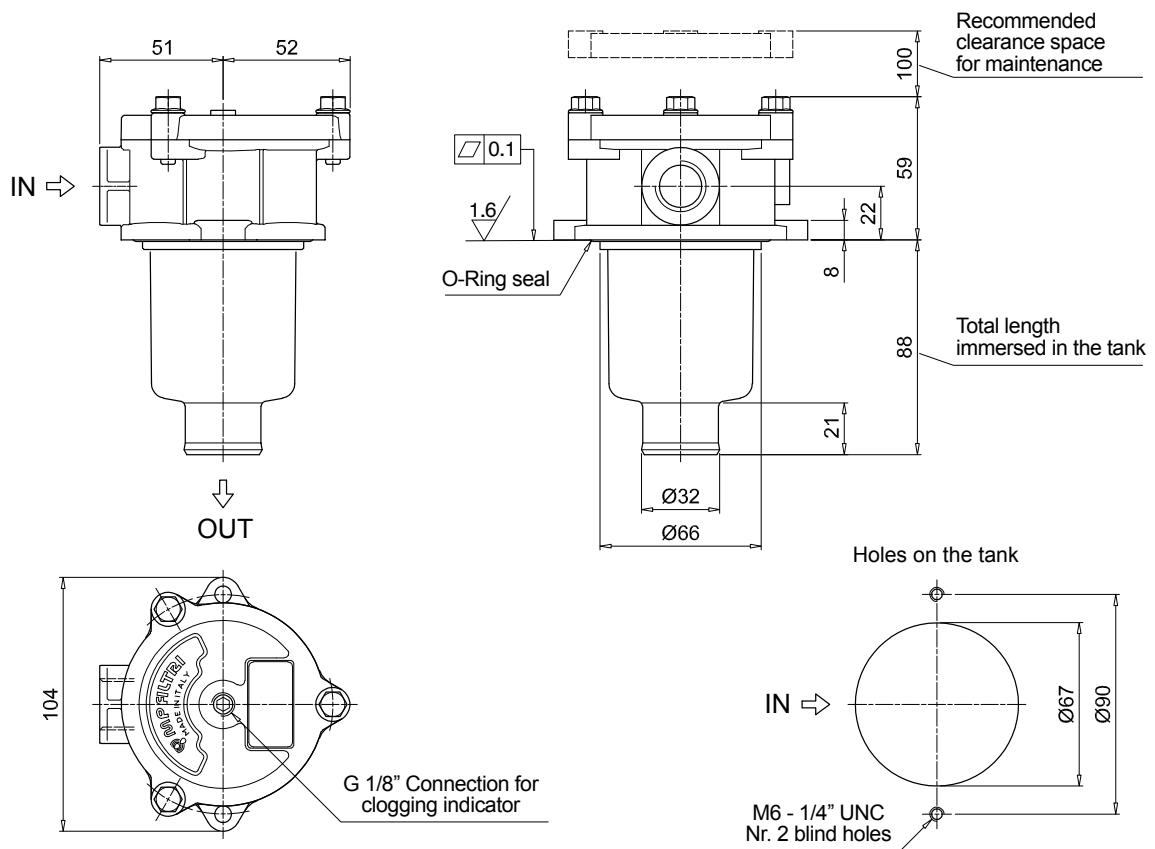
### ADDITIONAL FEATURES

See page 262

TE	Extension tube
T5	Filler plug M30x1.5



MPFX030



# MPFX MPFX100 - MPFX104

## Designation & Ordering code

### COMPLETE FILTER

<b>Series and size</b>	Configuration example 1:	<b>MPFX100</b>	<b>2</b>	<b>W</b>	<b>G3</b>	<b>A06</b>	<b>H</b>	<b>B</b>	<b>P01</b>
<b>MPFX100   MPFX104</b> Filter featuring <b>MYCLEAN</b> Filter Element	Configuration example 2:	<b>MPFX104</b>	<b>4</b>	<b>A</b>	<b>G8</b>	<b>P10</b>	<b>N</b>	<b>E</b>	<b>P01</b>

<b>Length</b>	<b>1</b>   <b>2</b>   <b>3</b>   <b>4</b>
---------------	---

<b>Seals and treatments</b>	
<b>A</b> NBR	
<b>V</b> FPM	
<b>W</b> NBR head anodized	
<b>Z</b> FPM head anodized	

Connections	Size 100	Size 104	Connections	Size 100	Size 104
<b>G1</b> G 1/2"	•	•	<b>G7</b> SAE 8 - 3/4" - 16 UNF	•	•
<b>G2</b> G 3/4"	•	•	<b>G8</b> SAE 12 - 1 1/16" - 12 UN	•	•
<b>G3</b> G 1"	•	•	<b>G9</b> SAE 16 - 1 5/16" - 12 UN	•	•
<b>G4</b> 1/2" NPT	•	•			
<b>G5</b> 3/4" NPT	•	•			
<b>G6</b> 1" NPT	•	•			

<b>Filtration rating (filter media)</b>	
<b>A03</b> Inorganic microfiber 3 µm	<b>M25</b> Wire mesh 25 µm
<b>A06</b> Inorganic microfiber 6 µm	<b>M60</b> Wire mesh 60 µm
<b>A10</b> Inorganic microfiber 10 µm	<b>M90</b> Wire mesh 90 µm
<b>A16</b> Inorganic microfiber 16 µm	<b>P10</b> Resin impregnated paper 10 µm
<b>A25</b> Inorganic microfiber 25 µm	<b>P25</b> Resin impregnated paper 25 µm

All filter media except M60, P10 and P25 are compatible with fluids HFA, HFB and HFC

Element Δp	Filter media			Bypass valve	Executions		
	Axx	Mxx	Pxx		Base	zere <span style="color:blue">spark</span>	
<b>N</b> 10 bar	-	•	•	<b>E</b> 3 bar	<b>P01</b>	<b>Z01</b>	MP Filtri standard
<b>H</b> 10 bar	•	-	-	<b>B</b> 1.75 bar	<b>Pxx</b>	<b>Zxx</b>	Customized

### FILTER ELEMENT

<b>Element series and size</b>	Configuration example 1:	<b>MFX100</b>	<b>2</b>	<b>A06</b>	<b>H</b>	<b>B</b>	<b>P01</b>	
<b>MFX100</b> Filter Element with <b>MYCLEAN</b> feature	Configuration example 2:	<b>MFX100</b>	<b>4</b>	<b>P10</b>	<b>N</b>	<b>B</b>	<b>E</b>	<b>P01</b>

<b>Element length</b>	<b>1</b>   <b>2</b>   <b>3</b>   <b>4</b>
-----------------------	---

<b>Filtration rating (filter media)</b>	
<b>A03</b> Inorganic microfiber 3 µm	<b>M25</b> Wire mesh 25 µm
<b>A06</b> Inorganic microfiber 6 µm	<b>M60</b> Wire mesh 60 µm
<b>A10</b> Inorganic microfiber 10 µm	<b>M90</b> Wire mesh 90 µm
<b>A16</b> Inorganic microfiber 16 µm	<b>P10</b> Resin impregnated paper 10 µm
<b>A25</b> Inorganic microfiber 25 µm	<b>P25</b> Resin impregnated paper 25 µm

Element Δp	Filter media			Seals	Bypass valve	Executions		
	Axx	Mxx	Pxx			Base	zere <span style="color:blue">spark</span>	
<b>N</b> 10 bar	-	•	•	<b>B</b> NBR	<b>E</b> 3 bar	<b>P01</b>	<b>Z01</b>	MP Filtri standard
<b>H</b> 10 bar	•	-	-	<b>V</b> FPM	- 1.75 bar	<b>Pxx</b>	<b>Zxx</b>	Customized

### CLOGGING INDICATORS

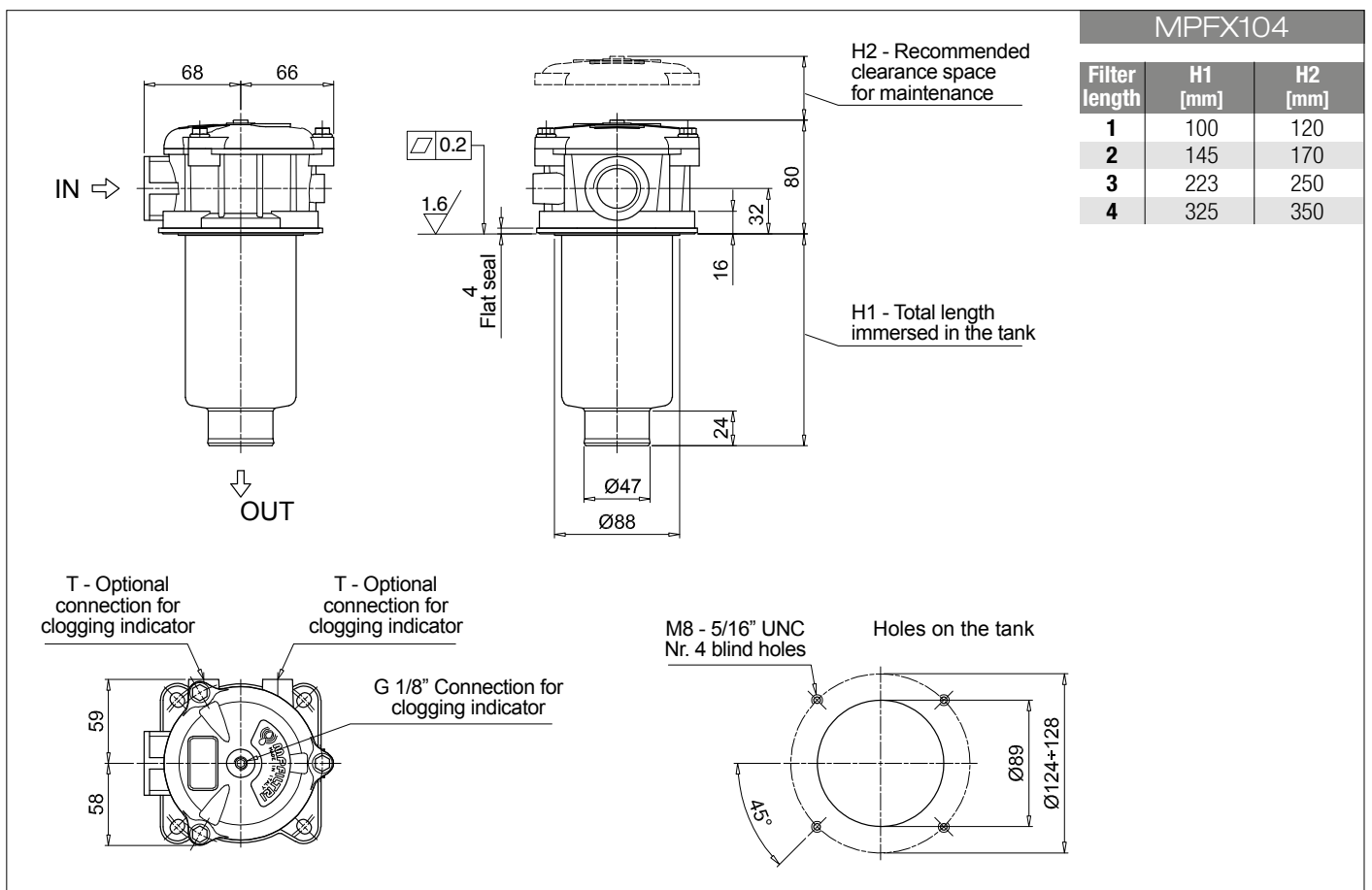
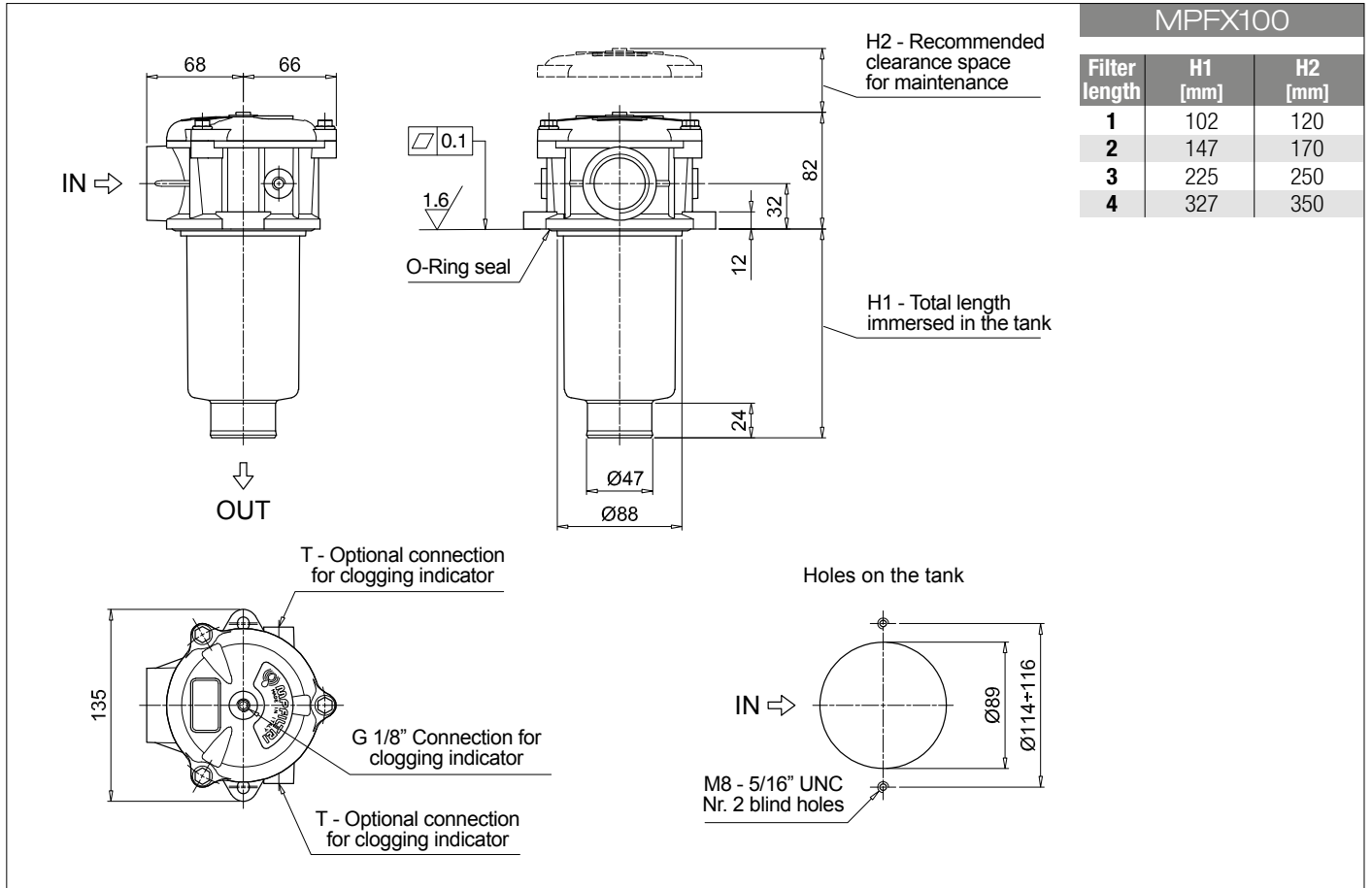
See page 680-681

<b>BVA</b> Axial pressure gauge	<b>BEA</b> Electrical pressure indicator
<b>BVR</b> Radial pressure gauge	<b>BEM</b> Electrical pressure indicator
<b>BVP</b> Visual pressure indicator with automatic reset	<b>BLA</b> Electrical / visual pressure indicator
<b>BVQ</b> Visual pressure indicator with manual reset	

### ADDITIONAL FEATURES

See page 262

<b>TE</b> Extension tube	<b>T5</b> Filler plug M30x1.5
<b>DFS</b> Diffuser with fast lock connection	<b>DPT</b> Dipstick



# MPFX MPFX110

## Designation & Ordering code

### COMPLETE FILTER

<b>Series and size</b>			Configuration example 1: <b>MPFX110</b>   <b>3</b>   <b>Z</b>   <b>G4</b>   <b>2</b>   <b>M25</b>   <b>H</b>   <b>B</b>   <b>P01</b>								
<b>MPFX110</b> Filter featuring <b>MY CLEAN</b> Filter Element			Configuration example 2: <b>MPFX110</b>   <b>4</b>   <b>A</b>   <b>G8</b>   <b>1</b>   <b>P10</b>   <b>N</b>   <b>E</b>   <b>P01</b>								
<b>Length</b>											
1   2   3   4											
<b>Seals and treatments</b>											
<b>A</b> NBR			<b>W</b> NBR head anodized								
<b>V</b> FPM			<b>Z</b> FPM head anodized								
<b>Main Connections</b>			<b>Main Connections</b>			<b>Aux size 1</b>			<b>Aux size 2</b>		
<b>G1</b> G 1/2"			<b>G7</b> SAE 8 - 3/4" - 16 UNF			SAE 6 - 9/16" - 18 UNF			SAE 8 - 3/4" - 16 UNF		
<b>G2</b> G 3/4"			<b>G8</b> SAE 12 - 1 1/16" - 12 UN								
<b>G3</b> G 1"			<b>G9</b> SAE 16 - 1 5/16" - 12 UN								
<b>G4</b> 1/2" NPT			<b>G10</b> G 1 1/4"			G 3/8"			G 1/2"		
<b>G5</b> 3/4" NPT			<b>G11</b> 1 1/4" NPT			3/8" NPT			1/2" NPT		
<b>G6</b> 1" NPT			<b>G12</b> SAE 20 - 1 5/8" - 12 UN			SAE 6 - 9/16" - 18 UNF			SAE 8 - 3/4" - 16 UNF		
<b>Aux connection</b> - see previous table											
<b>1</b> Aux size 1			<b>2</b> Aux size 2								
<b>Filtration rating (filter media)</b>											
<b>A03</b> Inorganic microfiber 3 µm			<b>M25</b> Wire mesh 25 µm								
<b>A06</b> Inorganic microfiber 6 µm			<b>M60</b> Wire mesh 60 µm								
<b>A10</b> Inorganic microfiber 10 µm			<b>M90</b> Wire mesh 90 µm								
<b>A16</b> Inorganic microfiber 16 µm			<b>P10</b> Resin impregnated paper 10 µm								
<b>A25</b> Inorganic microfiber 25 µm			<b>P25</b> Resin impregnated paper 25 µm								

All filter media except M60, P10 and P25 are compatible with fluids HFA, HFB and HFC

Element Δp	Filter media			Bypass valve	Executions		
	Axx	Mxx	Pxx		Base	zereospark®	
<b>N</b> 10 bar	-	•	•	<b>E</b> 3 bar	<b>P01</b>	<b>Z01</b>	MP Filtri standard
<b>H</b> 10 bar	•	-	-	<b>B</b> 1.75 bar	<b>Pxx</b>	<b>Zxx</b>	Customized

### FILTER ELEMENT

<b>Element series and size</b>			Configuration example 1: <b>MFx100</b>   <b>3</b>   <b>M25</b>   <b>H</b>   <b>V</b>   <b>P01</b>								
<b>MFx100</b> Filter Element with <b>MY CLEAN</b> feature			Configuration example 2: <b>MFx100</b>   <b>4</b>   <b>P10</b>   <b>N</b>   <b>B</b>   <b>E</b>   <b>P01</b>								
<b>Element length</b>											
1   2   3   4											
<b>Filtration rating (filter media)</b>											
<b>A03</b> Inorganic microfiber 3 µm			<b>M25</b> Wire mesh 25 µm								
<b>A06</b> Inorganic microfiber 6 µm			<b>M60</b> Wire mesh 60 µm								
<b>A10</b> Inorganic microfiber 10 µm			<b>M90</b> Wire mesh 90 µm								
<b>A16</b> Inorganic microfiber 16 µm			<b>P10</b> Resin impregnated paper 10 µm								
<b>A25</b> Inorganic microfiber 25 µm			<b>P25</b> Resin impregnated paper 25 µm								

Element Δp	Filter media			Bypass valve	Executions		
	Axx	Mxx	Pxx		Base	zereospark®	
<b>N</b> 10 bar	-	•	•	<b>E</b> 3 bar	<b>P01</b>	<b>Z01</b>	MP Filtri standard
<b>H</b> 10 bar	•	-	-	- 1.75 bar	<b>Pxx</b>	<b>Zxx</b>	Customized

### CLOGGING INDICATORS

See page 680-681

<b>BVA</b> Axial pressure gauge	<b>BEA</b> Electrical pressure indicator
<b>BVR</b> Radial pressure gauge	<b>BEM</b> Electrical pressure indicator
<b>BVP</b> Visual pressure indicator with automatic reset	<b>BLA</b> Electrical / visual pressure indicator
<b>BVQ</b> Visual pressure indicator with manual reset	

### ADDITIONAL FEATURES

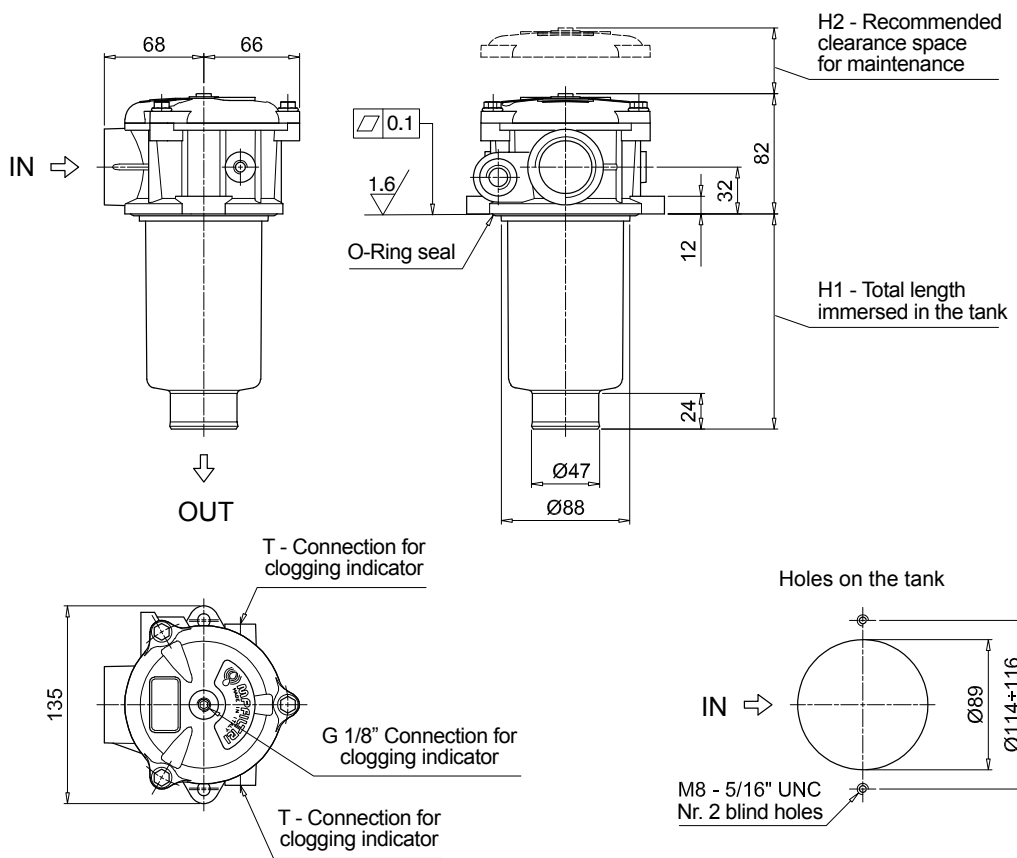
See page 262

<b>TE</b> Extension tube	<b>T5</b> Filler plug M30x1.5
<b>DFS</b> Diffuser with fast lock connection	<b>DPT</b> Dipstick

MPFX110		
Filter length	H1 [mm]	H2 [mm]
<b>1</b>	102	120
<b>2</b>	147	170
<b>3</b>	225	250
<b>4</b>	327	350

Connections	T
<b>G1-G2-G3</b>	G 1/8"
<b>G4-G5-G6-G7-G8-G9</b>	1/8" NPT
<b>G10</b>	G 1/8"
<b>G11-G12</b>	1/8" NPT



# MPFX MPFX181 - MPFX191

## Designation & Ordering code

### COMPLETE FILTER

<b>Series and size</b>		Configuration example 1: <b>MPFX181</b>   <b>1</b>   <b>A</b>   <b>G1</b>   <b>A25</b>   <b>H</b>   <b>E</b>   <b>P01</b>	
<b>MPFX181 MPFX191</b> Filter featuring <b>MYCLEAN</b> Filter Element		Configuration example 2: <b>MPFX191</b>   <b>2</b>   <b>V</b>   <b>G2</b>   <b>P10</b>   <b>N</b>   <b>B</b>   <b>P01</b>	
<b>Length</b>	<b>Size 181</b>   <b>Size 191</b>		
<b>1</b>	•   -		
<b>2</b>	•   •		
<b>Seals and treatments</b>			
<b>A</b> NBR	<b>B</b> NBR flat seal on head		
<b>V</b> FPM	<b>D</b> FPM flat seal on head		
<b>W</b> NBR head anodized	<b>L</b> NBR head anodized, flat seal on head		
<b>Z</b> FPM head anodized	<b>M</b> FPM head anodized, flat seal on head		
<b>Connections</b>			
<b>G1</b> G 1 1/4"	<b>G5</b> 1 1/2" NPT		
<b>G2</b> G 1 1/2"	<b>G7</b> SAE 20 - 1 5/8" - 12 UN		
<b>G4</b> 1 1/4" NPT	<b>G8</b> SAE 24 - 1 7/8" - 12 UN		
<b>Filtration rating (filter media)</b>			
<b>A03</b> Inorganic microfiber 3 µm	<b>M25</b> Wire mesh 25 µm		
<b>A06</b> Inorganic microfiber 6 µm	<b>M60</b> Wire mesh 60 µm		
<b>A10</b> Inorganic microfiber 10 µm	<b>M90</b> Wire mesh 90 µm		
<b>A16</b> Inorganic microfiber 16 µm	<b>P10</b> Resin impregnated paper 10 µm		
<b>A25</b> Inorganic microfiber 25 µm	<b>P25</b> Resin impregnated paper 25 µm		
All filter media except M60, P10 and P25 are compatible with fluids HFA, HFB and HFC			
<b>Element Δp</b>		<b>Filter media</b>	
<b>N</b> 10 bar	Axx   Mxx   Pxx	-   •   •	
<b>H</b> 10 bar	Axx   Mxx   Pxx	•   -   -	
<b>Bypass valve</b>		<b>Executions</b>	
<b>E</b> 3 bar	<b>Base</b>	<b>zero<span>spark</span><sup>+</sup></b>	
<b>B</b> 1.75 bar	<b>P01</b>	<b>Z01</b>	MP Filtri standard
	<b>Pxx</b>	<b>Zxx</b>	Customized

### FILTER ELEMENT

<b>Element series and size</b>		Configuration example 1: <b>MFX180</b>   <b>1</b>   <b>A25</b>   <b>H</b>   <b>B</b>   <b>E</b>   <b>P01</b>	
<b>MFX180</b> Filter Element with <b>MYCLEAN</b> feature		Configuration example 2: <b>MFX180</b>   <b>2</b>   <b>P10</b>   <b>N</b>   <b>V</b>   <b>P01</b>	
<b>Element length</b>			
<b>1</b>   <b>2</b>			
<b>Filtration rating (filter media)</b>			
<b>A03</b> Inorganic microfiber 3 µm	<b>M25</b> Wire mesh 25 µm		
<b>A06</b> Inorganic microfiber 6 µm	<b>M60</b> Wire mesh 60 µm		
<b>A10</b> Inorganic microfiber 10 µm	<b>M90</b> Wire mesh 90 µm		
<b>A16</b> Inorganic microfiber 16 µm	<b>P10</b> Resin impregnated paper 10 µm		
<b>A25</b> Inorganic microfiber 25 µm	<b>P25</b> Resin impregnated paper 25 µm		
<b>Element Δp</b>		<b>Filter media</b>	
<b>N</b> 10 bar	Axx   Mxx   Pxx	-   •   •	
<b>H</b> 10 bar	Axx   Mxx   Pxx	•   -   -	
<b>Seals</b>		<b>Bypass valve</b>	
<b>B</b> NBR	<b>E</b> 3 bar		
<b>V</b> FPM	- 1.75 bar		
<b>Executions</b>			
<b>Base</b>	<b>zero<span>spark</span><sup>+</sup></b>		
<b>P01</b>	<b>Z01</b>	MP Filtri standard	
<b>Pxx</b>	<b>Zxx</b>	Customized	

### CLOGGING INDICATORS

See page 680-681

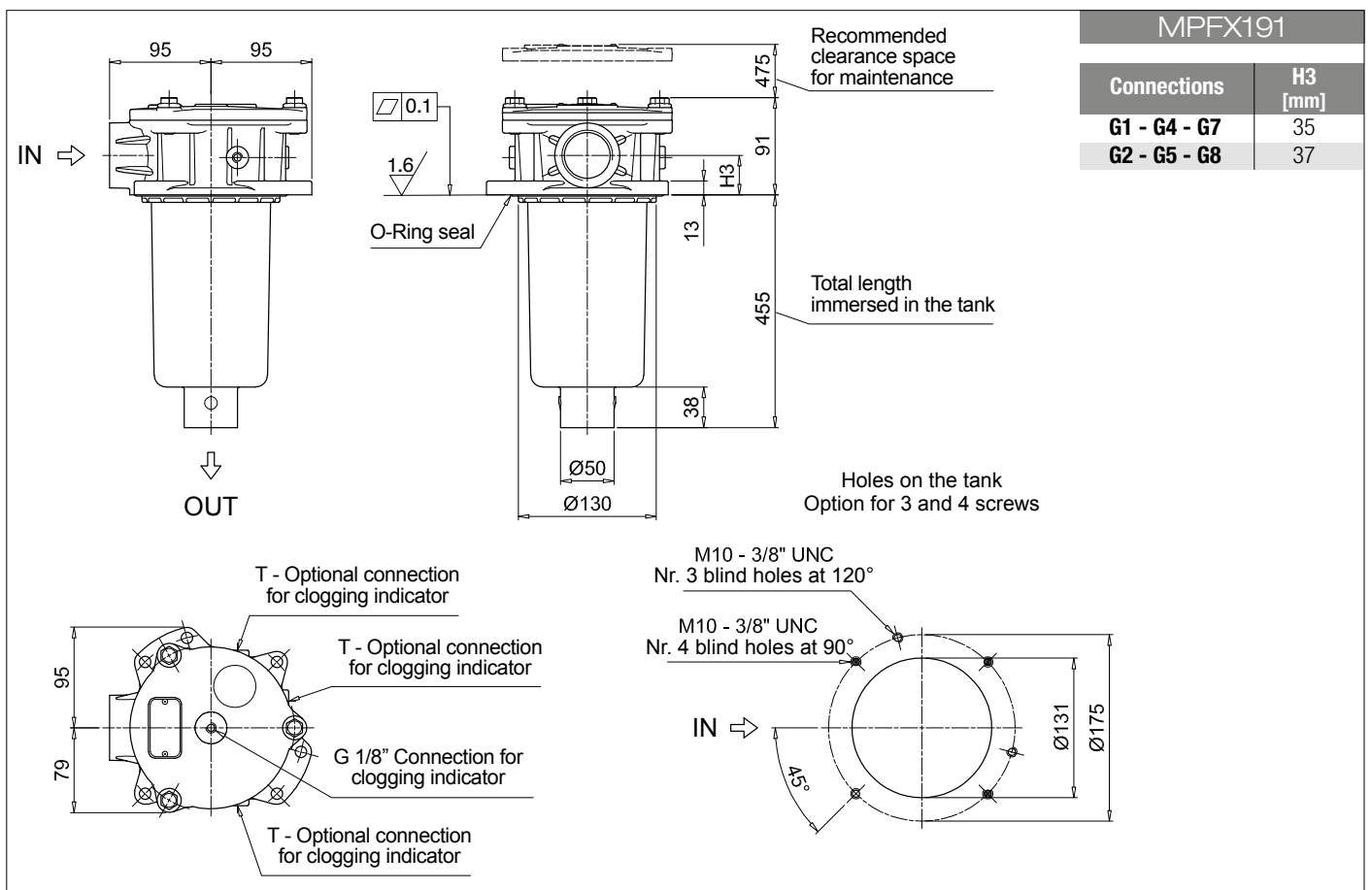
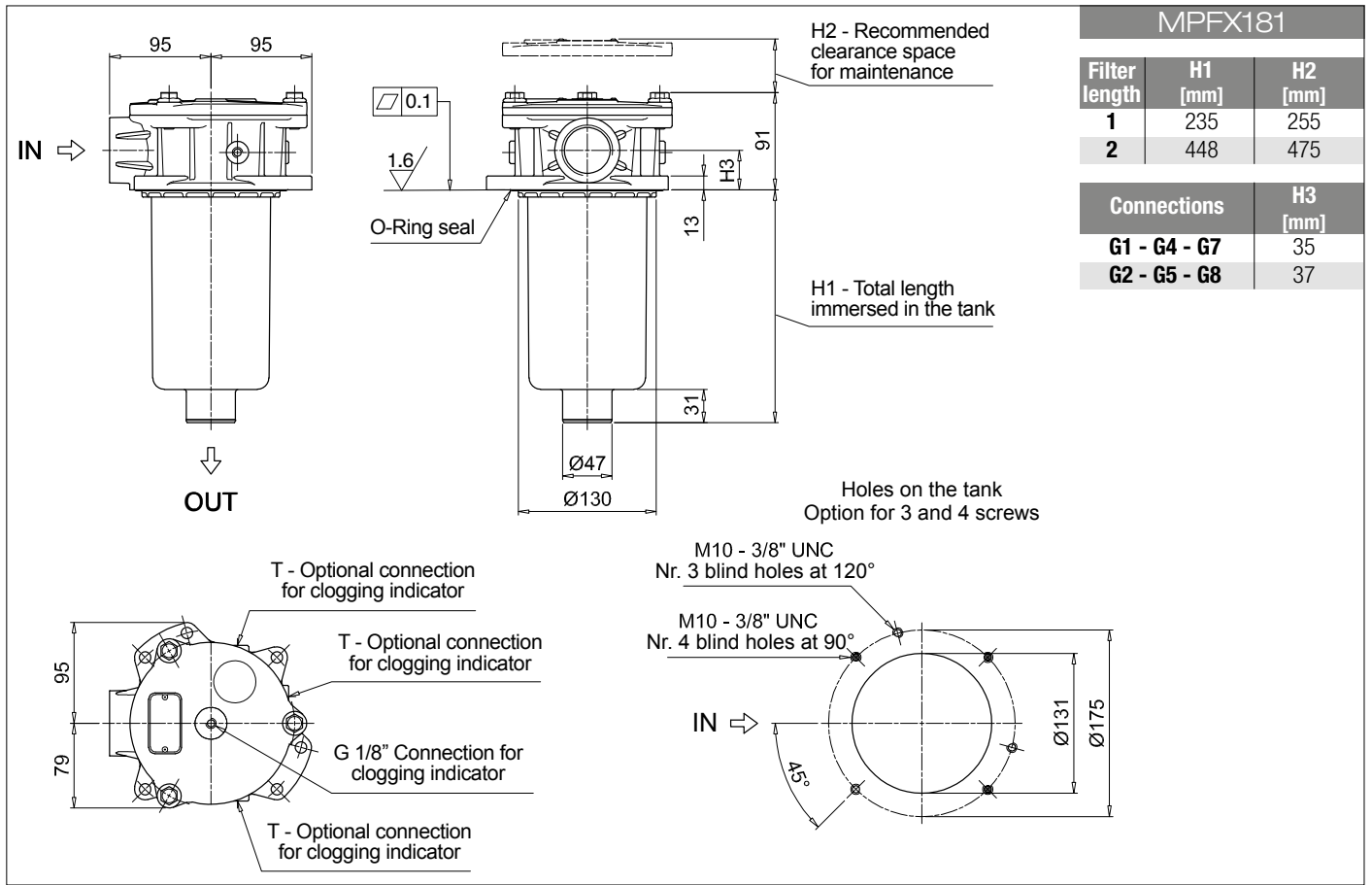
<b>BVA</b> Axial pressure gauge	
<b>BVR</b> Radial pressure gauge	
<b>BVP</b> Visual pressure indicator with automatic reset	
<b>BVQ</b> Visual pressure indicator with manual reset	

<b>BEA</b> Electrical pressure indicator	
<b>BEM</b> Electrical pressure indicator	
<b>BLA</b> Electrical / visual pressure indicator	

### ADDITIONAL FEATURES

See page 262

<b>TE</b> Extension tube	
<b>T5</b> Filler plug M30x1.5	



# MPFX MPFX182 - MPFX192

## Designation & Ordering code

### COMPLETE FILTER

<b>Series and size</b>			Configuration example 1: <b>MPFX182</b>   1   A   G1   1   A25   H   E   P01									
<b>MPFX182   MPFX192</b> Filter featuring <b>MYCLEAN</b> Filter Element			Configuration example 2: <b>MPFX192</b>   2   V   G4   2   P10   N   B   P01									
<b>Length</b>	<b>Size 182</b>	<b>Size 192</b>										
1	•	-										
2	•	•										
<b>Seals and treatments</b>												
<b>A</b> NBR	<b>B</b> NBR flat seal on head											
<b>V</b> FPM	<b>D</b> FPM flat seal on head											
<b>W</b> NBR head anodized	<b>L</b> NBR head anodized, flat seal on head											
<b>Z</b> FPM head anodized	<b>M</b> FPM head anodized, flat seal on head											
<b>Main Connections</b>			<b>Aux size 1</b>			<b>Aux size 2</b>						
<b>G1</b> G 1 1/4"	<b>G 1/2"</b>		<b>G 3/4"</b>									
<b>G4</b> 1 1/4" NPT	<b>1/2" NPT</b>		<b>3/4" NPT</b>									
<b>G7</b> SAE 20 - 1 5/8" - 12 UN	<b>SAE 8 - 3/16" - 16 UNF</b>		<b>SAE 12 - 1 1/16" - 12 UN</b>									
<b>Aux connection</b> - see previous table												
<b>1</b> Aux size 1	<b>2</b> Aux size 2											
<b>Filtration rating (filter media)</b>												
<b>A03</b> Inorganic microfiber 3 µm	<b>M25</b> Wire mesh 25 µm											
<b>A06</b> Inorganic microfiber 6 µm	<b>M60</b> Wire mesh 60 µm											
<b>A10</b> Inorganic microfiber 10 µm	<b>M90</b> Wire mesh 90 µm											
<b>A16</b> Inorganic microfiber 16 µm	<b>P10</b> Resin impregnated paper 10 µm											
<b>A25</b> Inorganic microfiber 25 µm	<b>P25</b> Resin impregnated paper 25 µm											
All filter media except M60, P10 and P25 are compatible with fluids HFA, HFB and HFC												
<b>Element Δp</b>			<b>Filter media</b>			<b>Bypass valve</b>					<b>Executions</b>	
<b>N</b> 10 bar	<b>Axx</b>	<b>Mxx</b>	<b>Pxx</b>	<b>E</b> 3 bar	<b>Base</b> <b>zérospark<sup>®</sup></b>					<b>P01</b> <b>Z01</b> MP Filtri standard		
<b>H</b> 10 bar	•	-	-	<b>B</b> 1.75 bar	<b>Pxx</b> <b>Zxx</b> Customized							

### FILTER ELEMENT

<b>Element series and size</b>			Configuration example 1: <b>MFx180</b>   1   A25   H   B   E   P01									
<b>MFx180</b> Filter Element with <b>MYCLEAN</b> feature			Configuration example 2: <b>MFx180</b>   2   P10   N   V   P01									
<b>Element length</b>												
1	2											
<b>Filtration rating (filter media)</b>												
<b>A03</b> Inorganic microfiber 3 µm	<b>M25</b> Wire mesh 25 µm											
<b>A06</b> Inorganic microfiber 6 µm	<b>M60</b> Wire mesh 60 µm											
<b>A10</b> Inorganic microfiber 10 µm	<b>M90</b> Wire mesh 90 µm											
<b>A16</b> Inorganic microfiber 16 µm	<b>P10</b> Resin impregnated paper 10 µm											
<b>A25</b> Inorganic microfiber 25 µm	<b>P25</b> Resin impregnated paper 25 µm											
<b>Element Δp</b>			<b>Filter media</b>			<b>Seals</b>		<b>Bypass valve</b>		<b>Executions</b>		
<b>N</b> 10 bar	<b>Axx</b>	<b>Mxx</b>	<b>Pxx</b>	<b>B</b> NBR	<b>E</b> 3 bar		<b>Base</b> <b>zérospark<sup>®</sup></b>		<b>P01</b> <b>Z01</b> MP Filtri standard			
<b>H</b> 10 bar	•	-	-	<b>V</b> FPM	<b>-</b> 1.75 bar		<b>Pxx</b> <b>Zxx</b> Customized					

### CLOGGING INDICATORS

See page 680-681

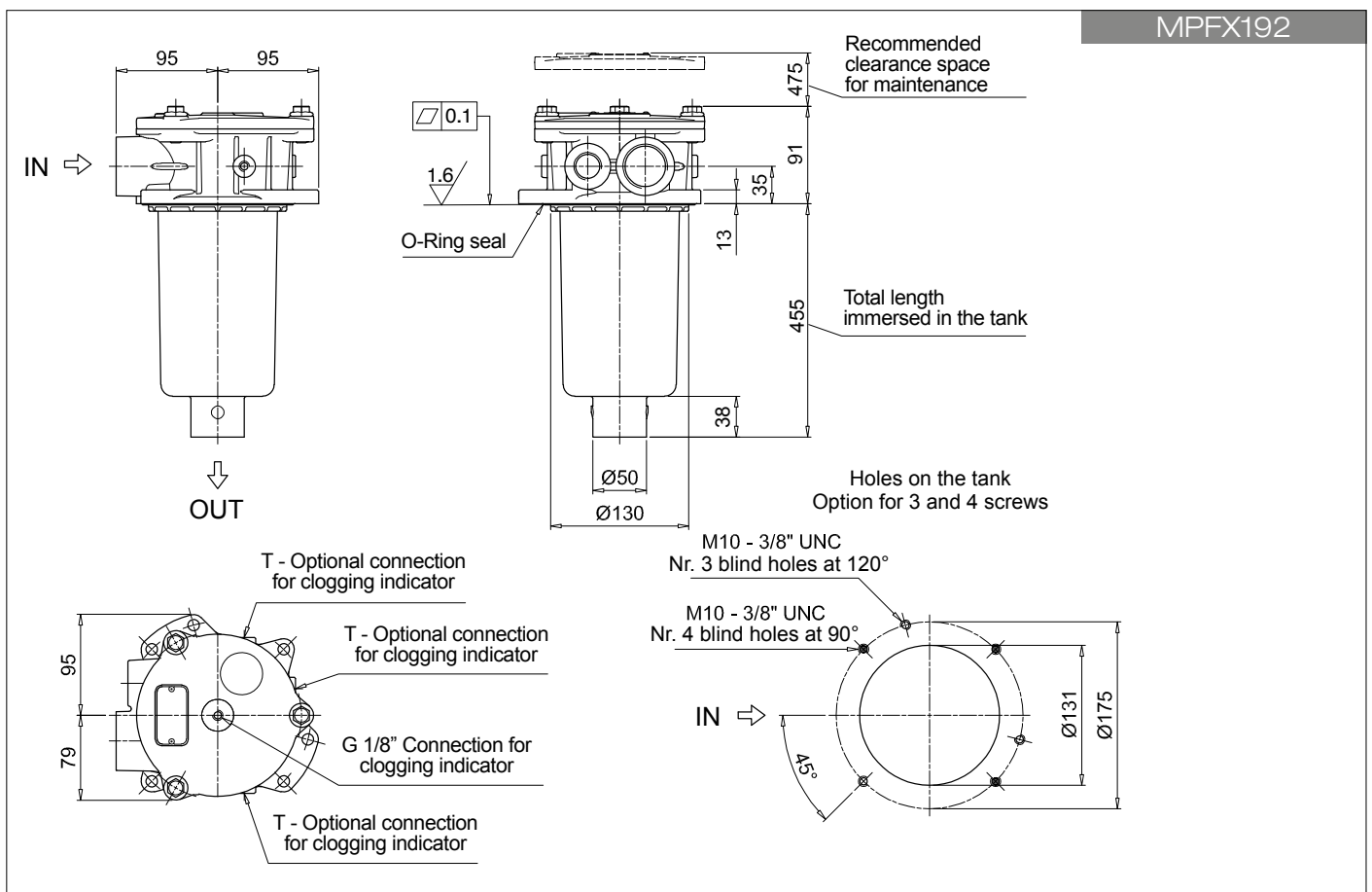
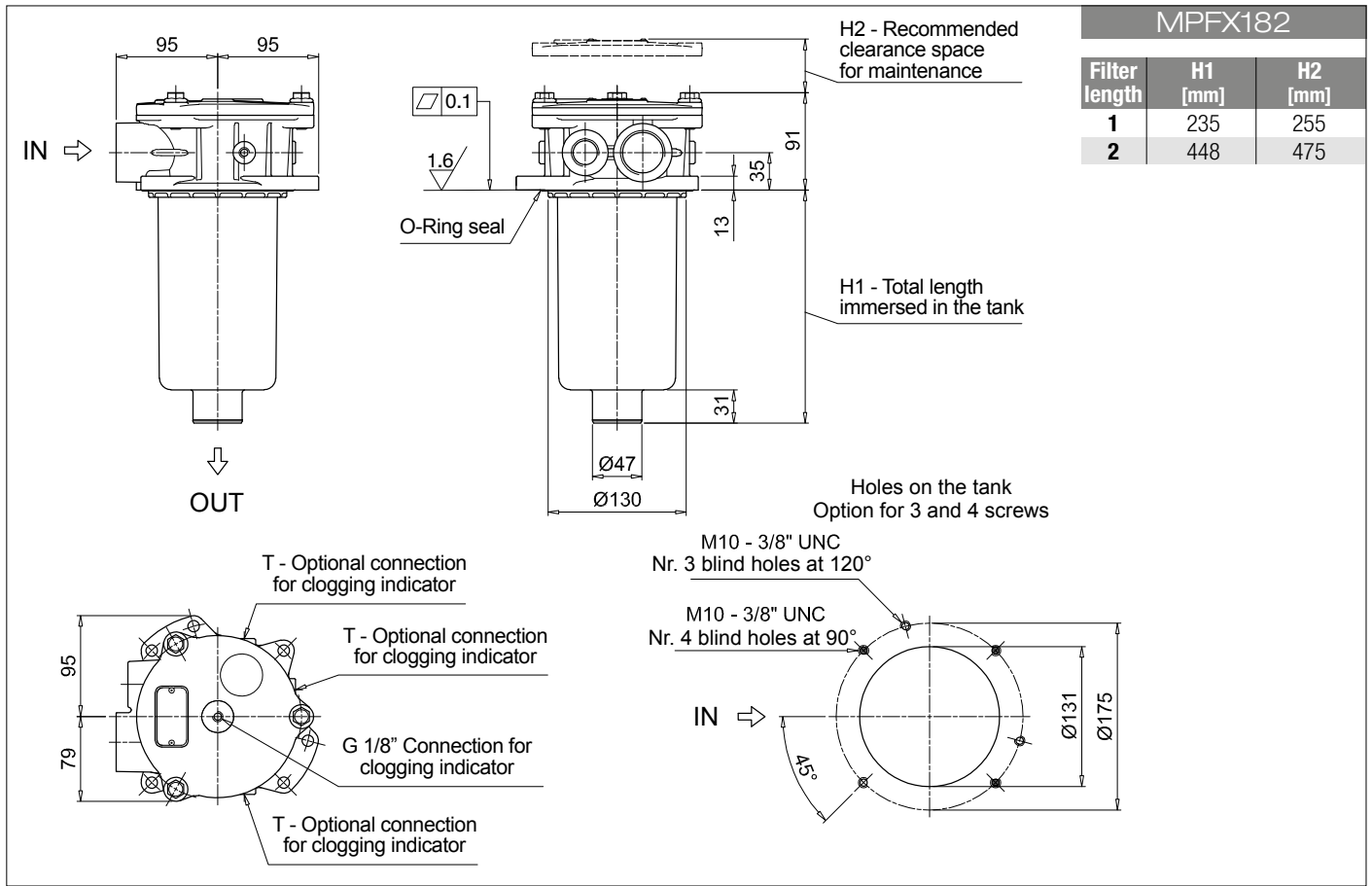
<b>BVA</b> Axial pressure gauge	<b>BEA</b> Electrical pressure indicator
<b>BVR</b> Radial pressure gauge	<b>BEM</b> Electrical pressure indicator
<b>BVP</b> Visual pressure indicator with automatic reset	<b>BLA</b> Electrical / visual pressure indicator
<b>BVQ</b> Visual pressure indicator with manual reset	

### ADDITIONAL FEATURES

See page 262

<b>TE</b> Extension tube
<b>T5</b> Filler plug M30x1.5





# MPFX MPFX184 - MPFX194

## Designation & Ordering code

### COMPLETE FILTER

<b>Series and size</b>		Configuration example 1: <b>MPFX184</b>   <b>1</b>   <b>A</b>   <b>G1</b>   <b>A25</b>   <b>H</b>   <b>E</b>   <b>P01</b>										
<b>MPFX184 MPFX194</b> Filter featuring <b>MYCLEAN</b> Filter Element		Configuration example 2: <b>MPFX194</b>   <b>2</b>   <b>V</b>   <b>F3</b>   <b>P10</b>   <b>N</b>   <b>B</b>   <b>P01</b>										
<b>Length</b>	<b>Size 184</b>	<b>Size 194</b>										
<b>1</b>	•	-										
<b>2</b>	•	•										
<b>Seals and treatments</b>												
<b>A</b> NBR	<b>W</b> NBR	head anodized										
<b>V</b> FPM	<b>Z</b> FPM	head anodized										
<b>Main Connections</b>		<b>Rear connections</b>		<b>Main Connections</b>		<b>Rear connections</b>						
<b>G1</b> G 1 1/4"	-	<b>G13</b> G 1 1/2"	-	<b>G14</b> G 1 1/2"	G 1 1/4"							
<b>G2</b> G 1 1/4"	G 1 1/4"	<b>G15</b> 1 1/2" NPT	-	<b>G16</b> 1 1/2" NPT	1 1/4" NPT							
<b>G4</b> 1 1/4" NPT	-	<b>F1</b> 1 1/2" SAE 3000 psi/M	-	<b>F2</b> 1 1/2" SAE 3000 psi/UNC	-							
<b>G5</b> 1 1/4" NPT	1 1/4" NPT	<b>F3</b> 1 1/2" SAE 3000 psi/M	1 1/2" SAE 3000 psi/M	<b>F4</b> 1 1/2" SAE 3000 psi/UNC	1 1/2" SAE 3000 psi/UNC							
<b>G7</b> SAE 20 - 1 5/8" - 12 UN	-											
<b>G8</b> SAE 20 - 1 5/8" - 12 UN	SAE 20 - 1 5/8" - 12 UN											
<b>G10</b> SAE 24 - 1 7/8" - 12 UN	-											
<b>G11</b> SAE 24 - 1 7/8" - 12 UN	SAE 20 - 1 5/8" - 12 UN											
<b>Filtration rating (filter media)</b>												
<b>A03</b> Inorganic microfiber 3 µm	<b>M25</b> Wire mesh 25 µm											
<b>A06</b> Inorganic microfiber 6 µm	<b>M60</b> Wire mesh 60 µm											
<b>A10</b> Inorganic microfiber 10 µm	<b>M90</b> Wire mesh 90 µm											
<b>A16</b> Inorganic microfiber 16 µm	<b>P10</b> Resin impregnated paper 10 µm											
<b>A25</b> Inorganic microfiber 25 µm	<b>P25</b> Resin impregnated paper 25 µm											
All filter media except M60, P10 and P25 are compatible with fluids HFA, HFB and HFC												
<b>Element Δp</b>			<b>Filter media</b>			<b>Bypass valve</b>				<b>Executions</b>		
<b>N</b> 10 bar	<b>Axx</b>	<b>Mxx</b>	<b>Pxx</b>	-	•	•	<b>E</b> 3 bar	<b>P01</b>	<b>zereospark<sup>+</sup></b>	<b>Z01</b>	MP Filtri standard	
<b>H</b> 10 bar	•	-	-	•	-	-	<b>B</b> 1.75 bar	<b>Pxx</b>	<b>Zxx</b>	<b>Zxx</b>	Customized	

### FILTER ELEMENT

<b>Element series and size</b>		Configuration example 1: <b>MFX180</b>   <b>1</b>   <b>A25</b>   <b>H</b>   <b>B</b>   <b>E</b>   <b>P01</b>										
<b>MFX180</b> Filter Element with <b>MYCLEAN</b> feature		Configuration example 2: <b>MFX180</b>   <b>2</b>   <b>P10</b>   <b>N</b>   <b>V</b>   <b>P01</b>										
<b>Element length</b>												
<b>1</b>	<b>2</b>											
<b>Filtration rating (filter media)</b>												
<b>A03</b> Inorganic microfiber 3 µm	<b>M25</b> Wire mesh 25 µm											
<b>A06</b> Inorganic microfiber 6 µm	<b>M60</b> Wire mesh 60 µm											
<b>A10</b> Inorganic microfiber 10 µm	<b>M90</b> Wire mesh 90 µm											
<b>A16</b> Inorganic microfiber 16 µm	<b>P10</b> Resin impregnated paper 10 µm											
<b>A25</b> Inorganic microfiber 25 µm	<b>P25</b> Resin impregnated paper 25 µm											
<b>Element Δp</b>			<b>Filter media</b>			<b>Seals</b>		<b>Bypass valve</b>		<b>Executions</b>		
<b>N</b> 10 bar	<b>Axx</b>	<b>Mxx</b>	<b>Pxx</b>	-	•	•	<b>B</b> NBR	<b>E</b> 3 bar	<b>P01</b>	<b>zereospark<sup>+</sup></b>	<b>Z01</b>	MP Filtri standard
<b>H</b> 10 bar	•	-	-	•	-	-	<b>V</b> FPM	- 1.75 bar	<b>Pxx</b>	<b>Zxx</b>	<b>Zxx</b>	Customized

### CLOGGING INDICATORS

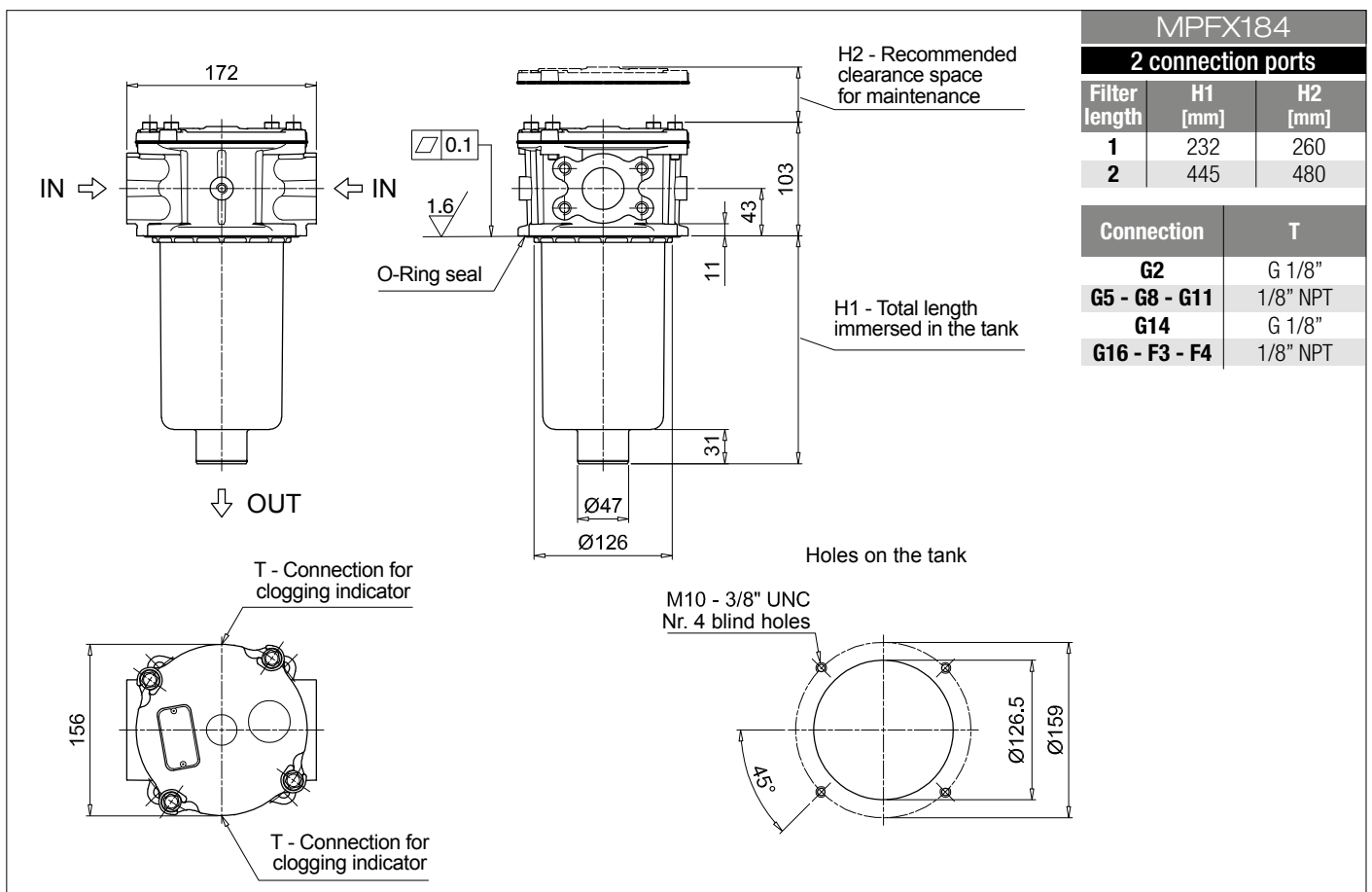
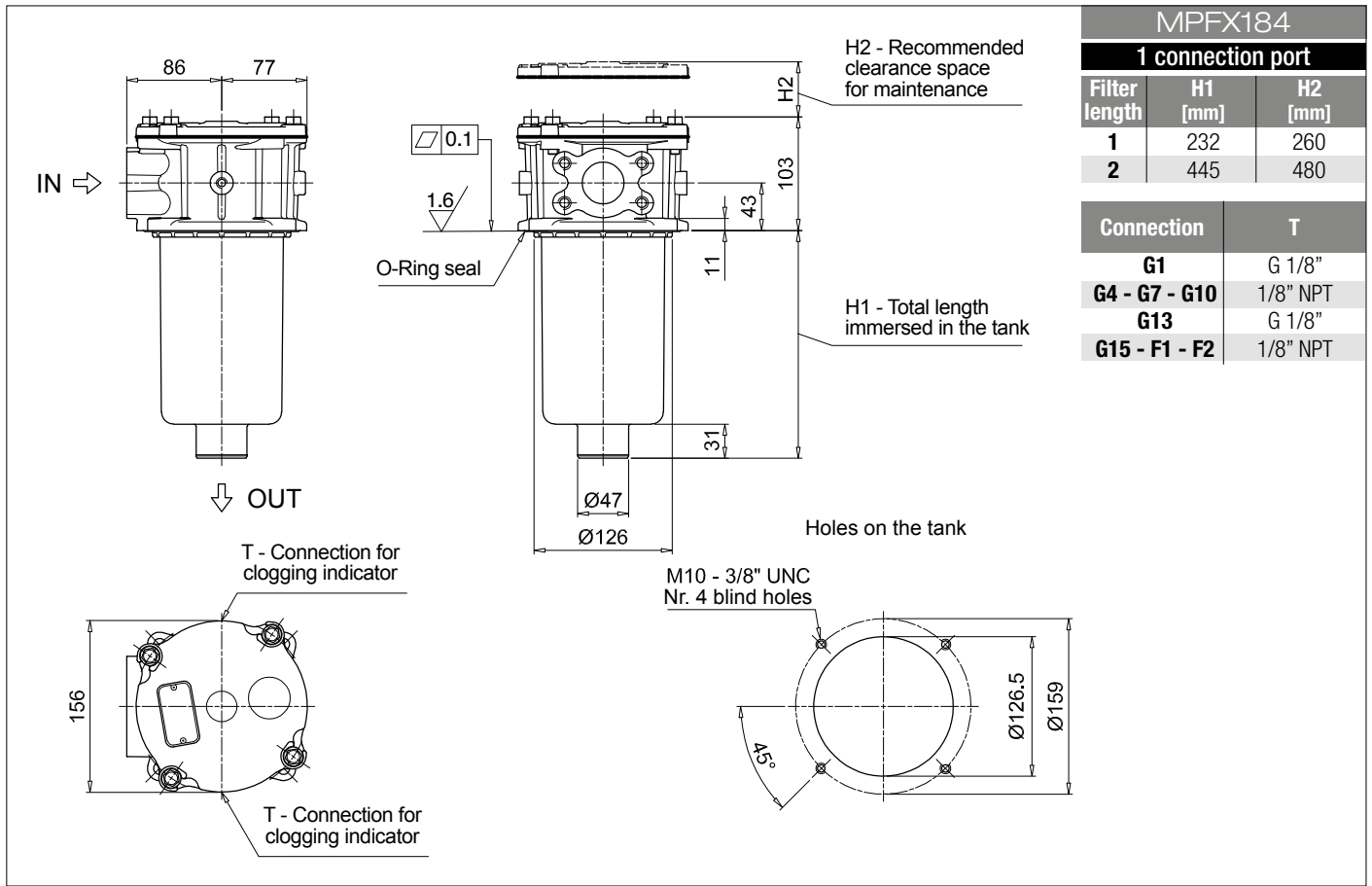
See page 680-681

<b>BVA</b> Axial pressure gauge	<b>BEA</b> Electrical pressure indicator
<b>BVR</b> Radial pressure gauge	<b>BEM</b> Electrical pressure indicator
<b>BVP</b> Visual pressure indicator with automatic reset	<b>BLA</b> Electrical / visual pressure indicator
<b>BVQ</b> Visual pressure indicator with manual reset	

### ADDITIONAL FEATURES

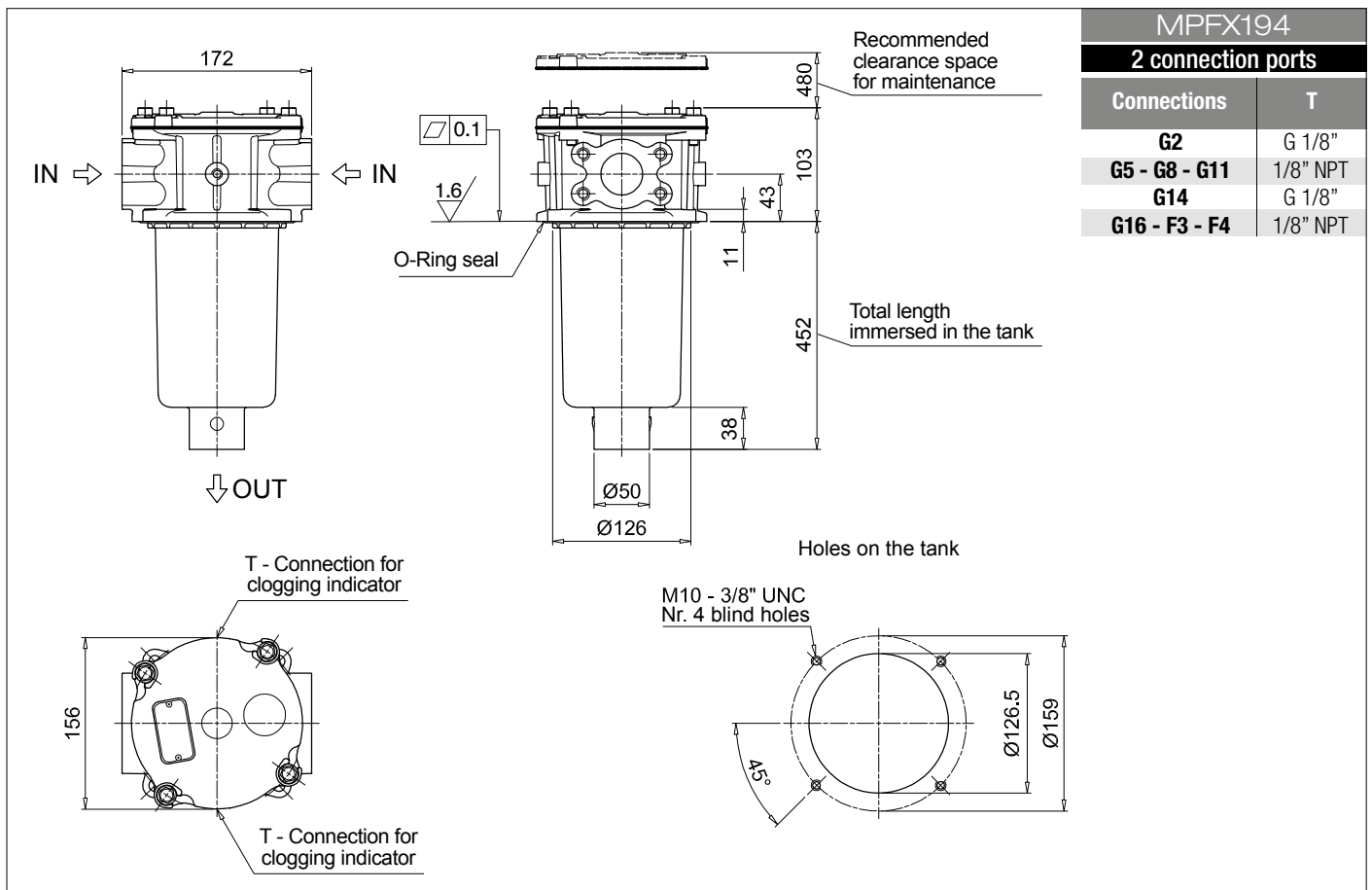
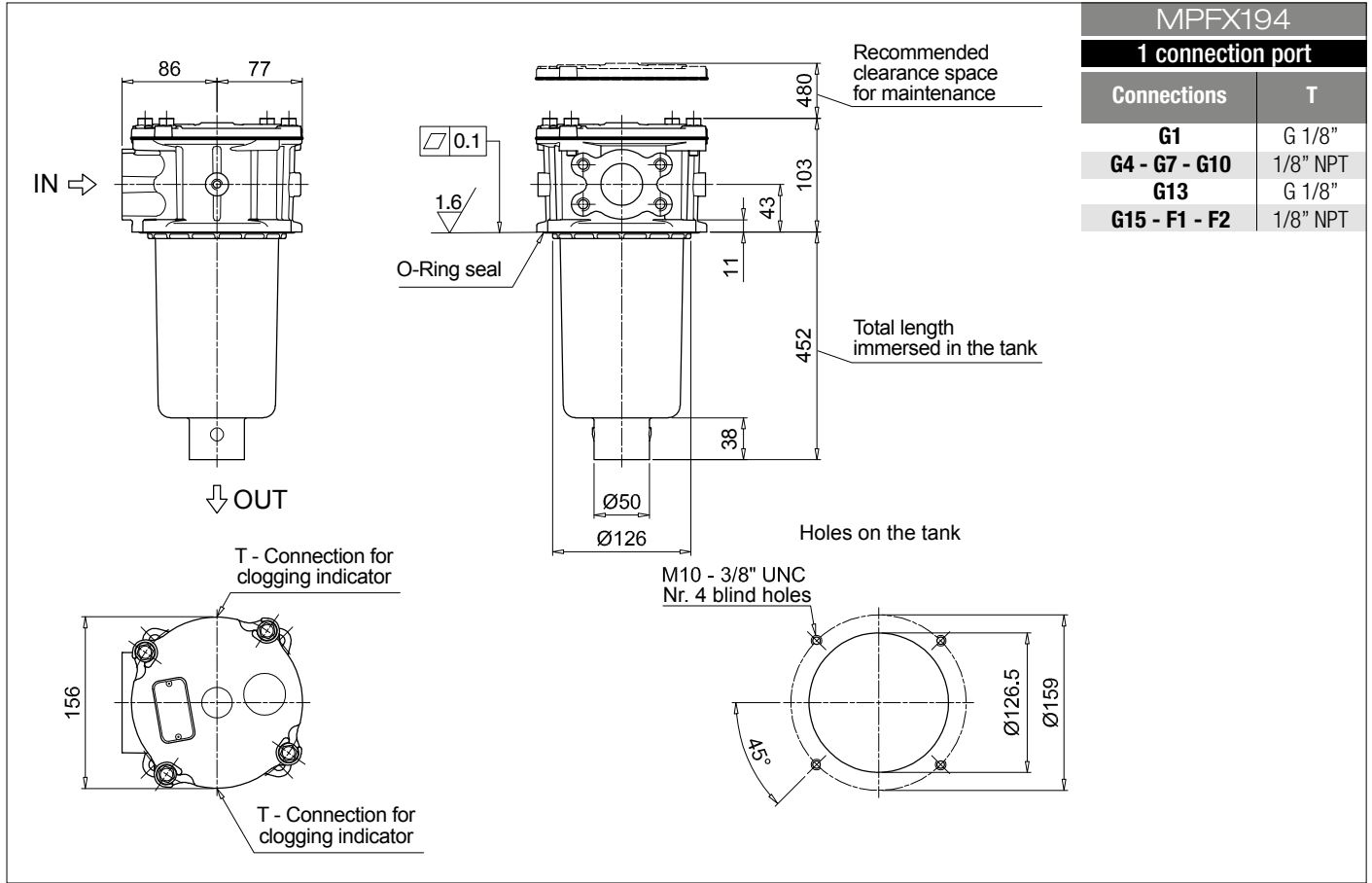
See page 262

<b>TE</b> Extension tube
<b>T5</b> Filler plug M30x1.5



# MPFX MPFX184 - MPFX194

## Dimensions





# MPFX MPFX400

## Designation & Ordering code

### COMPLETE FILTER

<b>Series and size</b> <b>MPFX400</b> Filter featuring <b>MYCLEAN</b> Filter Element	Configuration example 1:	<b>MPFX400</b>	<b>1</b>	<b>A</b>	<b>G9</b>	<b>A25</b>	<b>H</b>	<b>B</b>	<b>P01</b>
	Configuration example 2:	<b>MPFX400</b>	<b>2</b>	<b>V</b>	<b>G4</b>	<b>P10</b>	<b>N</b>	<b>E</b>	<b>P01</b>

<b>Length</b>	<b>1</b>   <b>2</b>   <b>3</b>
---------------	--------------------------------

#### Seals and treatments

<b>A</b>	NBR
<b>V</b>	FPM
<b>W</b>	NBR head anodized
<b>Z</b>	FPM head anodized

#### Connections

<b>G1</b>	G 1 1/4"	<b>G6</b>	2" NPT
<b>G2</b>	G 1 1/2"	<b>G7</b>	SAE 20 - 1 5/8" - 12 UN
<b>G3</b>	G 2"	<b>G8</b>	SAE 24 - 1 7/8" - 12 UN
<b>G4</b>	1 1/4" NPT	<b>G9</b>	SAE 32 - 2 1/2" - 12 UN
<b>G5</b>	1 1/2" NPT		

#### Filtration rating (filter media)

<b>A03</b>	Inorganic microfiber	3 µm	<b>M25</b>	Wire mesh	25 µm
<b>A06</b>	Inorganic microfiber	6 µm	<b>M60</b>	Wire mesh	60 µm
<b>A10</b>	Inorganic microfiber	10 µm	<b>M90</b>	Wire mesh	90 µm
<b>A16</b>	Inorganic microfiber	16 µm	<b>P10</b>	Resin impregnated paper	10 µm
<b>A25</b>	Inorganic microfiber	25 µm	<b>P25</b>	Resin impregnated paper	25 µm

All filter media except M60, P10 and P25 are compatible with fluids HFA, HFB and HFC

Element Δp	Filter media		
	Axx	Mxx	Pxx
<b>N</b> 10 bar	-	•	•
<b>H</b> 10 bar	•	-	-

<b>Bypass valve</b>	
<b>E</b> 3 bar	
<b>B</b> 1.75 bar	

Executions		
Base	zereospark <sup>®</sup>	
<b>P01</b>	<b>Z01</b>	MP Filtri standard
<b>Pxx</b>	<b>Zxx</b>	Customized

### FILTER ELEMENT

<b>Element series and size</b> <b>MFx400</b> Filter Element with <b>MYCLEAN</b> feature	Configuration example 1:	<b>MFx400</b>	<b>1</b>	<b>A25</b>	<b>H</b>	<b>B</b>	<b>P01</b>	
	Configuration example 2:	<b>MFx400</b>	<b>2</b>	<b>P10</b>	<b>N</b>	<b>V</b>	<b>E</b>	<b>P01</b>

<b>Element length</b>	<b>1</b>   <b>2</b>   <b>3</b>
-----------------------	--------------------------------

#### Filtration rating (filter media)

<b>A03</b>	Inorganic microfiber	3 µm	<b>M25</b>	Wire mesh	25 µm
<b>A06</b>	Inorganic microfiber	6 µm	<b>M60</b>	Wire mesh	60 µm
<b>A10</b>	Inorganic microfiber	10 µm	<b>M90</b>	Wire mesh	90 µm
<b>A16</b>	Inorganic microfiber	16 µm	<b>P10</b>	Resin impregnated paper	10 µm
<b>A25</b>	Inorganic microfiber	25 µm	<b>P25</b>	Resin impregnated paper	25 µm

Element Δp	Filter media		
	Axx	Mxx	Pxx
<b>N</b> 10 bar	-	•	•
<b>H</b> 10 bar	•	-	-

<b>Seals</b>	
<b>B</b> NBR	
<b>V</b> FPM	

<b>Bypass valve</b>	
<b>E</b> 3 bar	
<b>-</b> 1.75 bar	

Executions		
Base	zereospark <sup>®</sup>	
<b>P01</b>	<b>Z01</b>	MP Filtri standard
<b>Pxx</b>	<b>Zxx</b>	Customized

### CLOGGING INDICATORS

See page 680-681

<b>BVA</b>	Axial pressure gauge
<b>BVR</b>	Radial pressure gauge
<b>BVP</b>	Visual pressure indicator with automatic reset
<b>BVQ</b>	Visual pressure indicator with manual reset

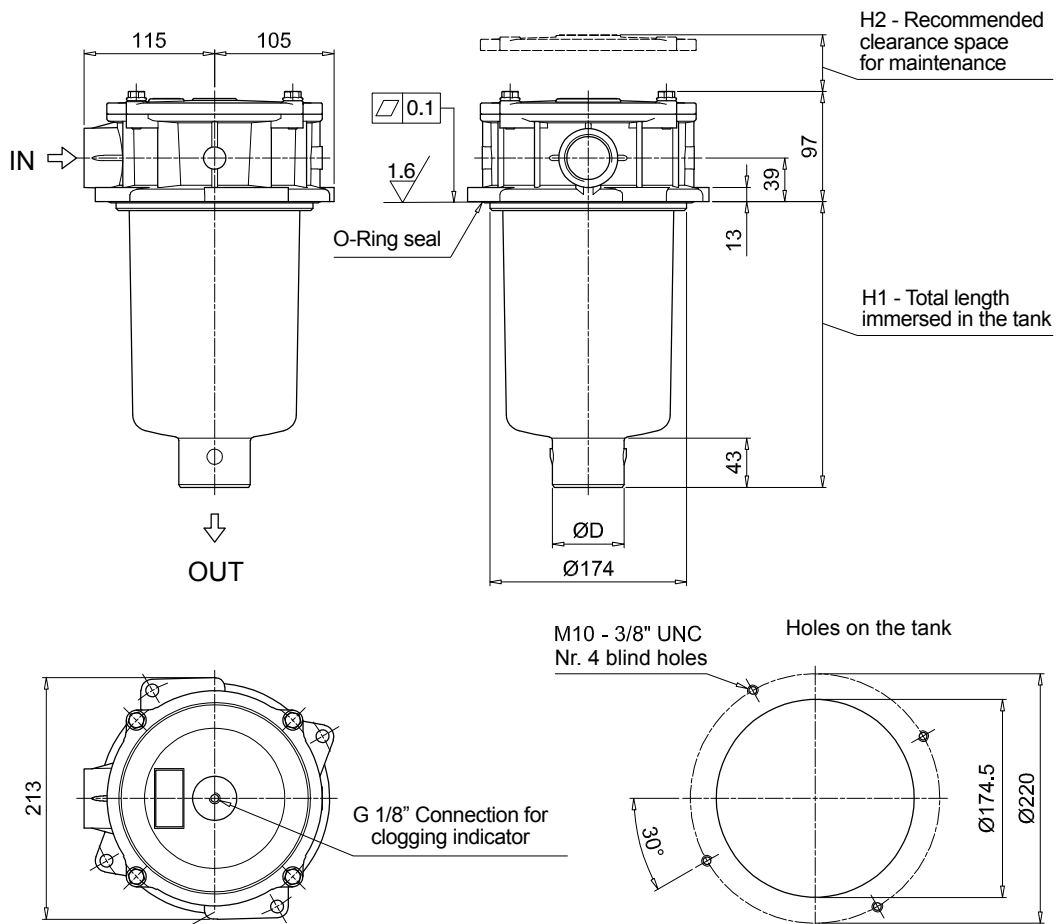
<b>BEA</b>	Electrical pressure indicator
<b>BEM</b>	Electrical pressure indicator
<b>BLA</b>	Electrical / visual pressure indicator

### ADDITIONAL FEATURES

See page 262

<b>T5</b>	Filler plug M30x1.5
-----------	---------------------

MPFX400			
Filter length	H1 [mm]	H2 [mm]	D [mm]
<b>1</b>	187	210	50
<b>2</b>	252	270	63
<b>3</b>	300	315	63



# MPFX MPFX410

## Designation & Ordering code

### COMPLETE FILTER

**Series and size**  
**MPFX410** Filter featuring **MY CLEAN** Filter Element

Configuration example 1: **MPFX410** | 1 | V | G4 | 1 | P10 | N | E | P01  
 Configuration example 2: **MPFX410** | 1 | A | G1 | 1 | A25 | H | B | P01

**Length**  
 1 | 2 | 3

**Seals and treatments**  
**A** NBR  
**V** FPM  
**W** NBR head anodized  
**Z** FPM head anodized

Main Connections	Aux size 1
<b>G1</b> G 1 1/4"	G 1"
<b>G4</b> 1 1/4" NPT	1" NPT
<b>G7</b> SAE 20 - 1 5/8" - 12 UN	SAE 16 - 1 5/16" - 12 UN

**Aux connection** - see previous table  
 1 Aux size 1

**Filtration rating (filter media)**

<b>A03</b> Inorganic microfiber 3 µm	<b>M25</b> Wire mesh 25 µm
<b>A06</b> Inorganic microfiber 6 µm	<b>M60</b> Wire mesh 60 µm
<b>A10</b> Inorganic microfiber 10 µm	<b>M90</b> Wire mesh 90 µm
<b>A16</b> Inorganic microfiber 16 µm	<b>P10</b> Resin impregnated paper 10 µm
<b>A25</b> Inorganic microfiber 25 µm	<b>P25</b> Resin impregnated paper 25 µm

All filter media except M60, P10 and P25 are compatible with fluids HFA, HFB and HFC

Element Δp	Filter media		
	Axx	Mxx	Pxx
<b>N</b> 10 bar	-	•	•
<b>H</b> 10 bar	•	-	-

Bypass valve	Executions		
	Base	zere <span style="color:blue">spark</span>	
<b>E</b> 3 bar	<b>P01</b>	<b>Z01</b>	MP Filtri standard
<b>B</b> 1.75 bar	<b>Pxx</b>	<b>Zxx</b>	Customized

### FILTER ELEMENT

**Element series and size**  
**MFx400** Filter Element with **MY CLEAN** feature

Configuration example 1: **MFx400** | 1 | P10 | N | V | E | P01  
 Configuration example 2: **MFx400** | 1 | A25 | H | B | P01

**Element length**  
 1 | 2 | 3

**Filtration rating (filter media)**

<b>A03</b> Inorganic microfiber 3 µm	<b>M25</b> Wire mesh 25 µm
<b>A06</b> Inorganic microfiber 6 µm	<b>M60</b> Wire mesh 60 µm
<b>A10</b> Inorganic microfiber 10 µm	<b>M90</b> Wire mesh 90 µm
<b>A16</b> Inorganic microfiber 16 µm	<b>P10</b> Resin impregnated paper 10 µm
<b>A25</b> Inorganic microfiber 25 µm	<b>P25</b> Resin impregnated paper 25 µm

Element Δp	Filter media		
	Axx	Mxx	Pxx
<b>N</b> 10 bar	-	•	•
<b>H</b> 10 bar	•	-	-

Seals	Bypass valve	Executions		
		Base	zere <span style="color:blue">spark</span>	
<b>B</b> NBR	<b>E</b> 3 bar	<b>P01</b>	<b>Z01</b>	MP Filtri standard
<b>V</b> FPM	- 1.75 bar	<b>Pxx</b>	<b>Zxx</b>	Customized

### CLOGGING INDICATORS

See page 680-681

**BVA** Axial pressure gauge  
**BVR** Radial pressure gauge  
**BVP** Visual pressure indicator with automatic reset  
**BVQ** Visual pressure indicator with manual reset

**BEA** Electrical pressure indicator  
**BEM** Electrical pressure indicator  
**BLA** Electrical / visual pressure indicator

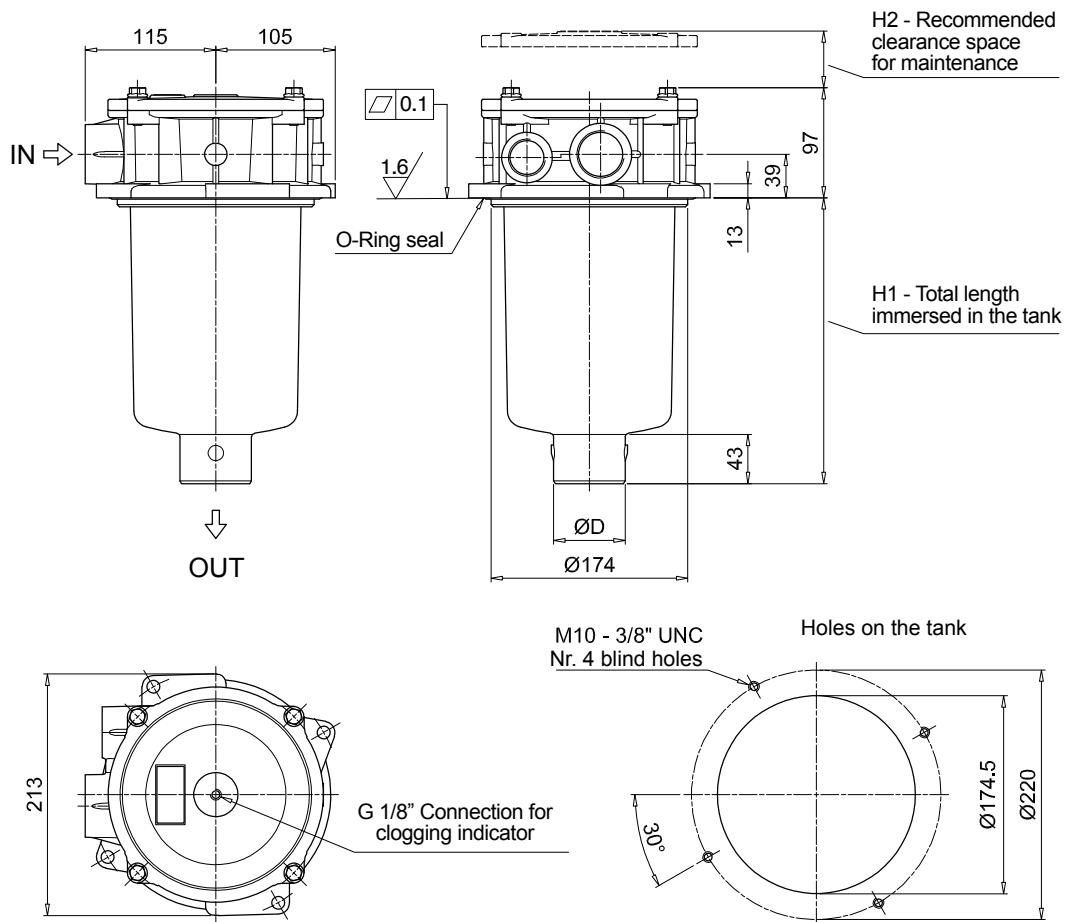
### ADDITIONAL FEATURES

See page 262

**T5** Filler plug M30x1.5



MPFX410			
Filter length	H1 [mm]	H2 [mm]	D [mm]
<b>1</b>	187	210	50
<b>2</b>	252	270	63
<b>3</b>	300	315	63



# MPFX MPFX450 - MPFX451 - MPFX750

## Designation & Ordering code

### COMPLETE FILTER

<b>Series and size</b>				Configuration example 1: <b>MPFX450</b>   1   A   G1   A25   H   B   P01										
<b>MPFX450   MPFX451   MPFX750</b>				Configuration example 2: <b>MPFX750</b>   1   V   F2   P10   N   E   P01										
Filter featuring <b>MYCLEAN</b> Filter Element														
<b>Length</b>				<b>MPFX 450</b>	<b>MPFX 451</b>	<b>MPFX 750</b>								
<b>1</b>		•	•	•										
<b>2</b>		•	•	-										
<b>3</b>		•	•	-										
<b>Seals and treatments</b>														
<b>A</b>	NBR	<b>W</b>	NBR head anodized											
<b>V</b>	FPM	<b>Z</b>	FPM head anodized											
<b>Connections</b>				<b>Aux (only size 451)</b>										
<b>G1</b>	G 2"				G 3/4"									
<b>G4</b>	2" NPT				3/4" NPT									
<b>G7</b>	SAE 32 - 2 1/2" - 12 UN				SAE 12 - 1 1/16" - 12 UN									
<b>F1</b>	2" SAE 3000 psi/M				G 3/4"									
<b>F2</b>	2" SAE 3000 psi/UNC				3/4" NPT									
<b>Filtration rating (filter media)</b>														
<b>A03</b>	Inorganic microfiber 3 µm	<b>M25</b>	Wire mesh 25 µm											
<b>A06</b>	Inorganic microfiber 6 µm	<b>M60</b>	Wire mesh 60 µm											
<b>A10</b>	Inorganic microfiber 10 µm	<b>M90</b>	Wire mesh 90 µm											
<b>A16</b>	Inorganic microfiber 16 µm	<b>P10</b>	Resin impregnated paper 10 µm											
<b>A25</b>	Inorganic microfiber 25 µm	<b>P25</b>	Resin impregnated paper 25 µm											
All filter media except M60, P10 and P25 are compatible with fluids HFA, HFB and HFC														
<b>Element Δp</b>				<b>Filter media</b>			<b>Bypass valve</b>					<b>Executions</b>		
<b>N</b>	10 bar	<b>Axx</b>	-	<b>Mxx</b>	•	<b>Pxx</b>	•	<b>E</b>	3 bar	<b>P01</b>	<b>zereospark<sup>+</sup></b>	<b>Z01</b>	MP Filtri standard	
<b>H</b>	10 bar	<b>Axx</b>	•	<b>Mxx</b>	-	<b>Pxx</b>	-	<b>B</b>	1.75 bar	<b>Pxx</b>	<b>Zxx</b>	<b>Zxx</b>	Customized	

### FILTER ELEMENT

<b>Element series and size</b>				Configuration example 1: <b>MFx400</b>   1   A25   H   B   P01													
<b>MFx400   MFx750</b>				Configuration example 2: <b>MFx750</b>   1   P10   N   V   E   P01													
Filter Element with <b>MYCLEAN</b> feature																	
<b>Element length</b>				<b>MPFX 450</b>	<b>MPFX 451</b>	<b>MPFX 750</b>											
<b>1</b>		•	•	•													
<b>2</b>		•	•	-													
<b>3</b>		•	•	-													
<b>Filtration rating (filter media)</b>																	
<b>A03</b>	Inorganic microfiber 3 µm	<b>M25</b>	Wire mesh 25 µm														
<b>A06</b>	Inorganic microfiber 6 µm	<b>M60</b>	Wire mesh 60 µm														
<b>A10</b>	Inorganic microfiber 10 µm	<b>M90</b>	Wire mesh 90 µm														
<b>A16</b>	Inorganic microfiber 16 µm	<b>P10</b>	Resin impregnated paper 10 µm														
<b>A25</b>	Inorganic microfiber 25 µm	<b>P25</b>	Resin impregnated paper 25 µm														
<b>Element Δp</b>				<b>Filter media</b>			<b>Seals</b>					<b>Bypass valve</b>			<b>Executions</b>		
<b>N</b>	10 bar	<b>Axx</b>	-	<b>Mxx</b>	•	<b>Pxx</b>	•	<b>B</b>	NBR	<b>E</b>	3 bar	<b>P01</b>	<b>zereospark<sup>+</sup></b>	<b>Z01</b>	MP Filtri standard		
<b>H</b>	10 bar	<b>Axx</b>	•	<b>Mxx</b>	-	<b>Pxx</b>	-	<b>V</b>	FPM	<b>-</b>	1.75 bar	<b>Pxx</b>	<b>Zxx</b>	<b>Zxx</b>	Customized		

### CLOGGING INDICATORS

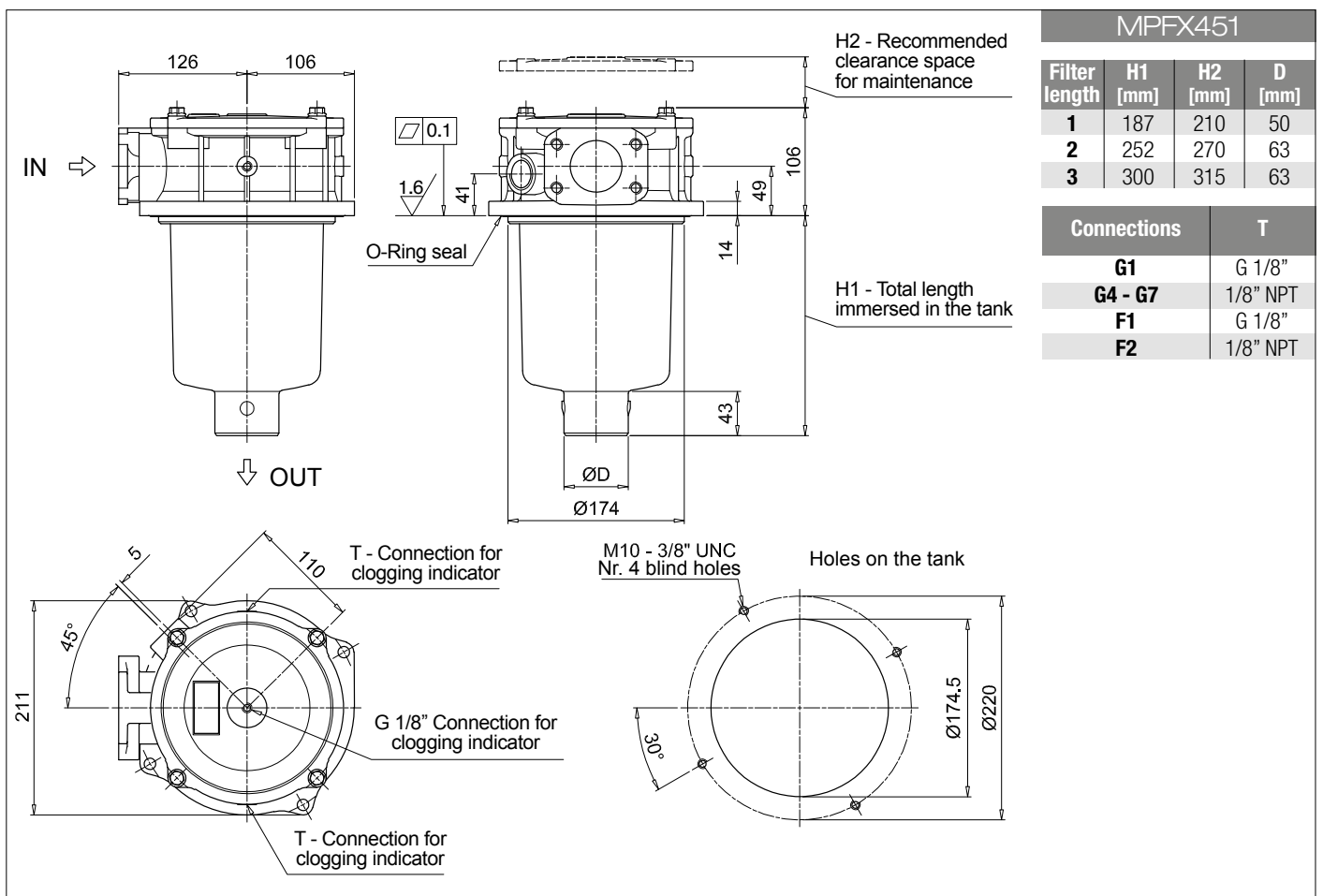
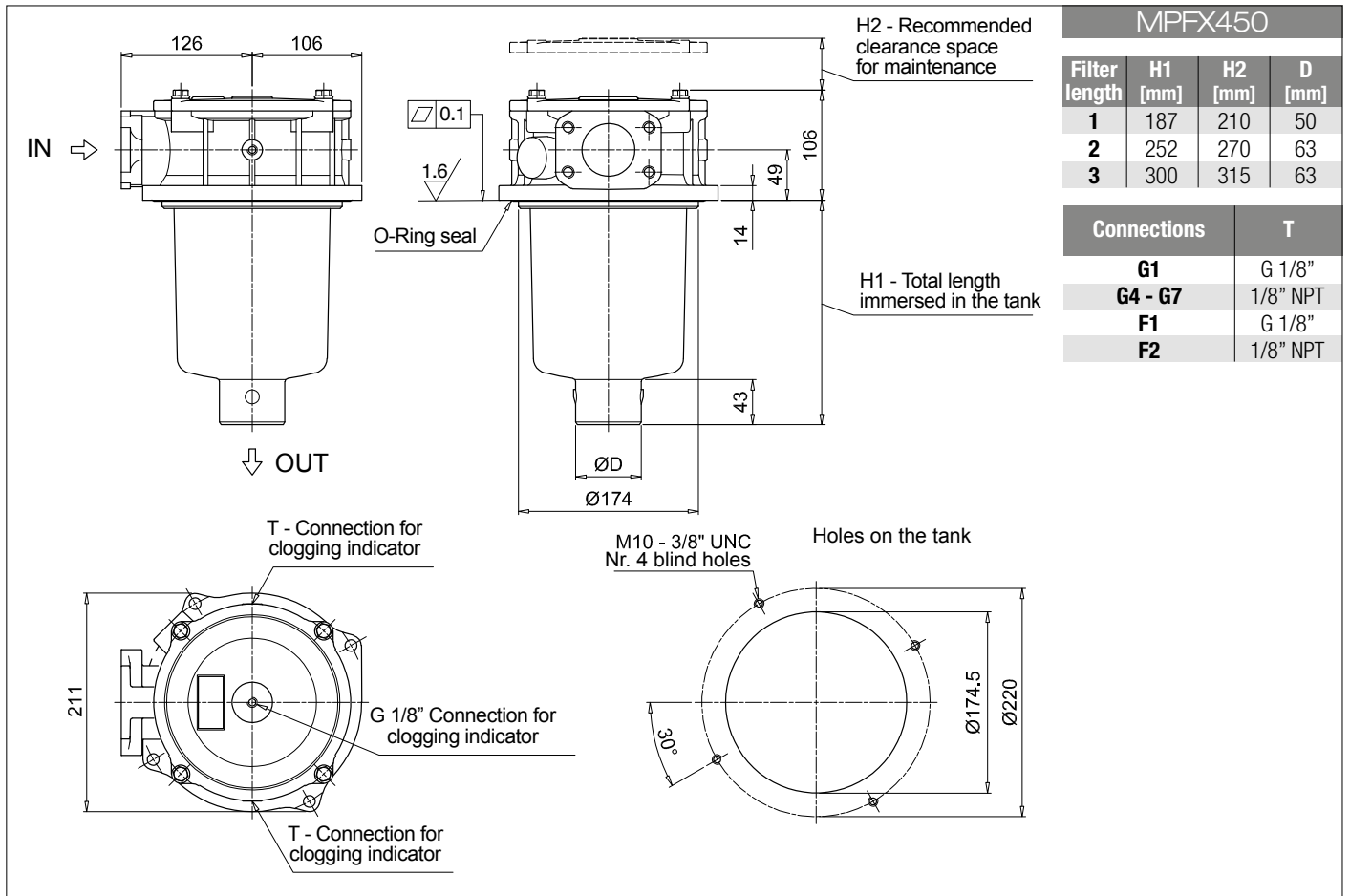
See page 680-681

<b>BVA</b>	Axial pressure gauge	<b>BEA</b>	Electrical pressure indicator
<b>BVR</b>	Radial pressure gauge	<b>BEM</b>	Electrical pressure indicator
<b>BVP</b>	Visual pressure indicator with automatic reset	<b>BLA</b>	Electrical / visual pressure indicator
<b>BVQ</b>	Visual pressure indicator with manual reset		

### ADDITIONAL FEATURES

See page 262

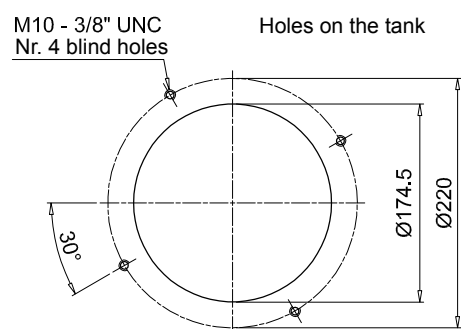
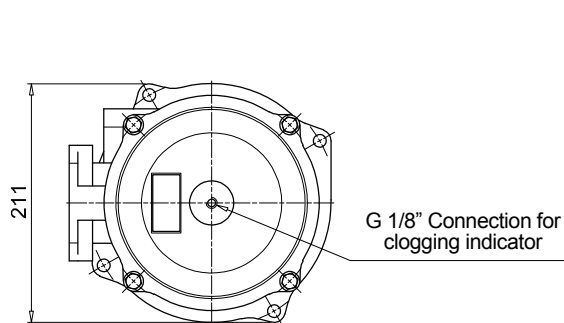
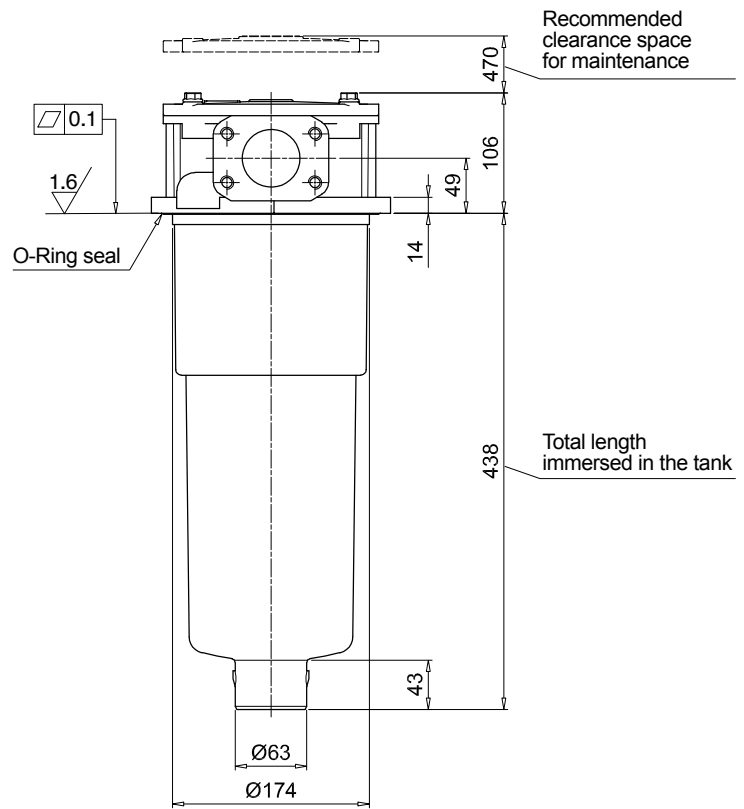
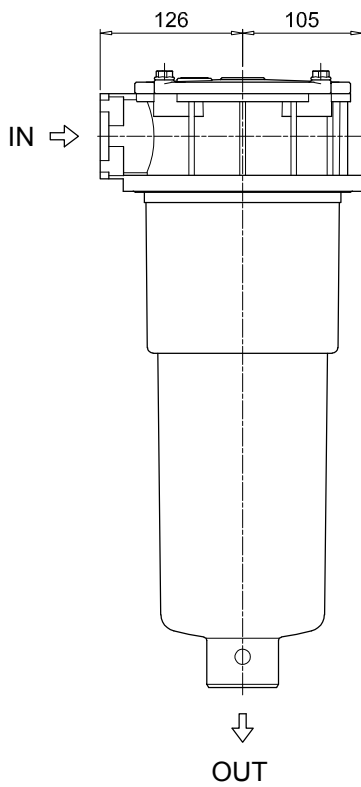
<b>T5</b>	Filler plug M30x1.5
-----------	---------------------



# MPFX MPFX450 - MPFX451 - MPFX750

## Dimensions

MPFX750



**MPFX 100**

**MPFX 181**

O-RING SEAL			
	Q.ty: 1 pc.	Q.ty: 1 pc.	
Item:	<b>2</b>	<b>3</b> (3a ÷ 3d)	
Filter series	Filter element	Seal Kit code number	
		NBR	FPM
<b>MPFX 030</b>	See order table	02050675	02050676
<b>MPFX 100-110</b>		02050677	02050678
<b>MPFX 181-182</b>		02050681	02050682
<b>MPFX 184</b>		02050685	02050686
<b>MPFX 191-192</b>		02050683	02050684
<b>MPFX 194</b>		02050687	02050688
<b>MPFX 400-410</b>		02050695	02050696
<b>MPFX 450-451</b>		02050697	02050698
<b>MPFX 750</b>		02050699	02050700

**MPFX 104**

**MPFX 181**

FLAT SEAL			
	Q.ty: 1 pc.	Q.ty: 1 pc.	
Item:	<b>2</b>	<b>3</b> (3a ÷ 3d)	
Filter series	Filter element	Seal Kit code number	
		NBR	FPM
<b>MPFX 104</b>	See order table	02050679	02050680
<b>MPFX 181-182</b>		02050691	02050692
<b>MPFX 191-192</b>		02050691	02050692



THE **X** CONCEPT FOR OUR FILTERS

Protect the performance of your system with MYclean.  
Quality and efficiency are fundamental for MP Filtri:  
this exclusive new filter element possesses polygon shape geometry and specific seal  
that ensures only original spare parts can be used - ensuring correct operation and  
higher system reliability.

MPLXseries

with **MYCLEAN** MLX Filter Element



- **Protects the machine from improper use of non-original products.**
- **Safety of constant quality protection & reliability**

With exclusive filter element you are sure that only MP Filtri filter elements can be used, ensuring the best cleaning level of the oil due to the use of originals filter elements.

The products identified as MPLX are protected by:

- Italian Patent n° 102014902261205
- Canadian Patent n° 2,937,258
- European Patent n° 16181725.9
- US Patent n° 15/224,337

# MPLX series

Maximum working pressure up to 1 MPa (10 bar) - Flow rate up to 1800 l/min



## Description

## Technical data

### Return filter

**Maximum working pressure up to 1 MPa (10 bar)**  
**Flow rate up to 1800 l/min**

MPLX is a range of return filters for protection of the reservoir against the system contamination.

Completely interchangeable with Pall 8420 & 8520, they are directly fixed to the reservoir, in immersed or semi-immersed position.

The use of the diffuser is recommended, to place the filter output always immersed into the fluid to avoid aeration or foam generation into the reservoir.

The filter output must be always immersed into the fluid to avoid aeration or foam generation into the reservoir.

#### Available features:

- Flanged connections up to 3", for a maximum flow rate of 1800 l/min
- Fine filtration rating, to get a good cleanliness level into the reservoir
- Bypass valve, to relieve excessive pressure drop across the filter media
- 6 fixing holes for installation, to suit a variety of reservoir surfaces
- Diffuser, to reduce the risk of aeration, foaming and noise
- Filler plug, to fill cleaned fluid into the tank without an additional connection
- Visual, electrical and electronic differential clogging indicators
- MYclean interface connection for the filter element, to protect the product against non-original spare parts

#### Common applications:

- Heavy duty industrial equipment
- Heavy duty mobile equipment

### Filter housing materials

- Head: Anodized aluminium
- Cover: Anodized aluminium
- Bowl: Phosphatized steel
- Bypass valve: Steel

### Bypass valve

- Opening pressure 450 kPa (4.5 bar)  $\pm$ 10%

### $\Delta p$ element type

- Microfiber filter elements: 10 bar
- Fluid flow through the filter element from OUT to IN.

### Seals

- Standard NBR series A
- Optional FPM series V

### Temperature

From -25 °C to +110 °C

### Note

MPLX filters are provided for vertical mounting

## Weights [kg] and volumes [dm<sup>3</sup>]

Filter series	Weights [kg]		Volumes [dm <sup>3</sup> ]	
	Length	2	Length	2
<b>MPLX 250</b>		8.95		2.90
<b>MPLX 660</b>		20.20		11.00



Filter series	Length	Filter element design - N Series						
		A03	A06	A10	A16	A25	M25 M60 M90	P10 P25
<b>MPLX 250</b>	<b>2</b>	157	155	281	312	325	583	392
<b>MPLX 660</b>	<b>2</b>	376	384	820	925	1018	1732	1332

### Maximum flow rate for a complete return filter with a pressure drop $\Delta p = 0.5$ bar.

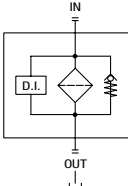
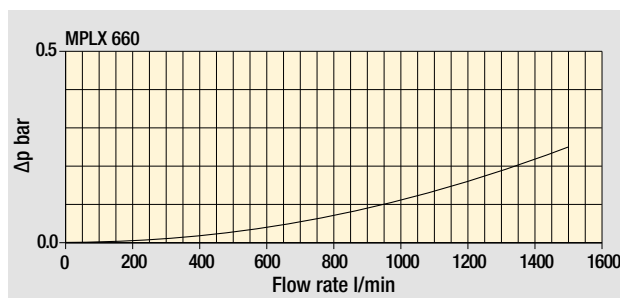
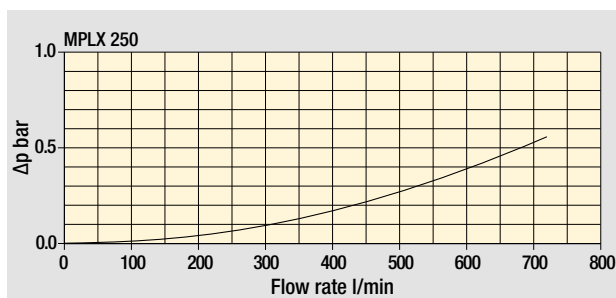
The reference fluid has a kinematic viscosity of 30 mm<sup>2</sup>/s (cSt) and a density of 0.86 kg/dm<sup>3</sup>.

For different pressure drop or fluid viscosity we recommend to use our selection software available on [www.mpfiltri.com](http://www.mpfiltri.com).

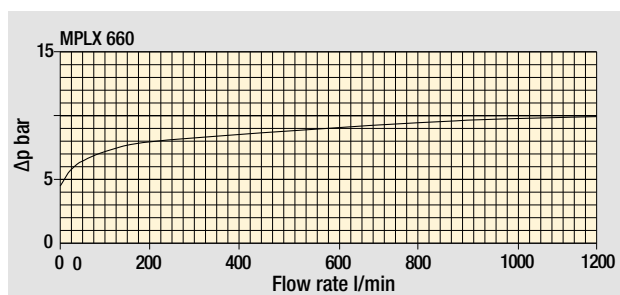
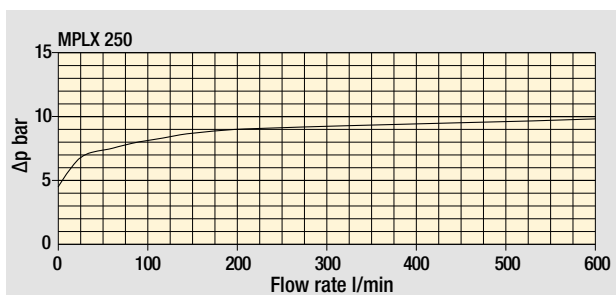
You can also calculate the right size using the formulas present on the FILTER SIZING paragraph at the beginning of the full catalogue or at the beginning of the filter family brochure. Please, contact our Sales Department for further additional information.

### Hydraulic symbols

Filter series	Style 1 connection + Diff. indic.
<b>MPLX 250</b>	•
<b>MPLX 660</b>	•

Pressure drop  
Filter housings  
 $\Delta p$  pressure drop




Bypass valve  
pressure drop

The curves are plotted using mineral oil with density of 0.86 kg/dm<sup>3</sup> in compliance with ISO 3968.  $\Delta p$  varies proportionally with density.


# MPLX MPLX250 - MPLX660

## Designation & Ordering code

### COMPLETE FILTER

<b>Series and size</b>	Configuration example 1: <b>MPLX250</b>   <b>2</b>   <b>D</b>   <b>S</b>   <b>V</b>   <b>A</b>   <b>6</b>   <b>M25</b>   <b>P01</b>																			
<b>MPLX250   MPLX660</b> Filter featuring  Filter Element	Configuration example 2: <b>MPLX660</b>   <b>2</b>   <b>D</b>   <b>D</b>   <b>A</b>   <b>B</b>   <b>6</b>   <b>A10</b>   <b>P01</b>																			
<b>Length</b>	2																			
<b>By-pass valve</b>	D 4.5 bar																			
<b>Diffuser</b>	S Without diffuser D With standard diffuser																			
<b>Seals and treatments</b>	A NBR V FPM																			
<b>Connections</b>	MPLX250					MPLX660														
<b>A</b>	2" SAE 3000 psi/M					3" SAE 3000 psi/M														
<b>B</b>	2" SAE 3000 psi/UNC					3" SAE 3000 psi/UNC														
<b>Connection for differential indicator</b>	6 With plugged connection																			
<b>Filtration rating (filter media)</b>	<table border="0"> <tr> <td><b>A03</b> Inorganic microfiber 3 µm</td> <td><b>M25</b> Wire mesh 25 µm</td> </tr> <tr> <td><b>A06</b> Inorganic microfiber 6 µm</td> <td><b>M60</b> Wire mesh 60 µm</td> </tr> <tr> <td><b>A10</b> Inorganic microfiber 10 µm</td> <td><b>M90</b> Wire mesh 90 µm</td> </tr> <tr> <td><b>A16</b> Inorganic microfiber 16 µm</td> <td><b>P10</b> Resin impregnated paper 10 µm</td> </tr> <tr> <td><b>A25</b> Inorganic microfiber 25 µm</td> <td><b>P25</b> Resin impregnated paper 25 µm</td> </tr> </table>										<b>A03</b> Inorganic microfiber 3 µm	<b>M25</b> Wire mesh 25 µm	<b>A06</b> Inorganic microfiber 6 µm	<b>M60</b> Wire mesh 60 µm	<b>A10</b> Inorganic microfiber 10 µm	<b>M90</b> Wire mesh 90 µm	<b>A16</b> Inorganic microfiber 16 µm	<b>P10</b> Resin impregnated paper 10 µm	<b>A25</b> Inorganic microfiber 25 µm	<b>P25</b> Resin impregnated paper 25 µm
<b>A03</b> Inorganic microfiber 3 µm	<b>M25</b> Wire mesh 25 µm																			
<b>A06</b> Inorganic microfiber 6 µm	<b>M60</b> Wire mesh 60 µm																			
<b>A10</b> Inorganic microfiber 10 µm	<b>M90</b> Wire mesh 90 µm																			
<b>A16</b> Inorganic microfiber 16 µm	<b>P10</b> Resin impregnated paper 10 µm																			
<b>A25</b> Inorganic microfiber 25 µm	<b>P25</b> Resin impregnated paper 25 µm																			
									<b>Execution</b>											
									<b>P01</b> MP Filtri standard											
									<b>Pxx</b> Customized											

### FILTER ELEMENT

<b>Element series and size</b>	Configuration example 1: <b>MLX250</b>   <b>2</b>   <b>M25</b>   <b>V</b>   <b>P01</b>																			
<b>MLX250   MLX660</b> Filter Element with  feature	Configuration example 2: <b>MLX660</b>   <b>2</b>   <b>A10</b>   <b>A</b>   <b>P01</b>																			
<b>Element length</b>	2																			
<b>Filtration rating (filter media)</b>	<table border="0"> <tr> <td><b>A03</b> Inorganic microfiber 3 µm</td> <td><b>M25</b> Wire mesh 25 µm</td> </tr> <tr> <td><b>A06</b> Inorganic microfiber 6 µm</td> <td><b>M60</b> Wire mesh 60 µm</td> </tr> <tr> <td><b>A10</b> Inorganic microfiber 10 µm</td> <td><b>M90</b> Wire mesh 90 µm</td> </tr> <tr> <td><b>A16</b> Inorganic microfiber 16 µm</td> <td><b>P10</b> Resin impregnated paper 10 µm</td> </tr> <tr> <td><b>A25</b> Inorganic microfiber 25 µm</td> <td><b>P25</b> Resin impregnated paper 25 µm</td> </tr> </table>										<b>A03</b> Inorganic microfiber 3 µm	<b>M25</b> Wire mesh 25 µm	<b>A06</b> Inorganic microfiber 6 µm	<b>M60</b> Wire mesh 60 µm	<b>A10</b> Inorganic microfiber 10 µm	<b>M90</b> Wire mesh 90 µm	<b>A16</b> Inorganic microfiber 16 µm	<b>P10</b> Resin impregnated paper 10 µm	<b>A25</b> Inorganic microfiber 25 µm	<b>P25</b> Resin impregnated paper 25 µm
<b>A03</b> Inorganic microfiber 3 µm	<b>M25</b> Wire mesh 25 µm																			
<b>A06</b> Inorganic microfiber 6 µm	<b>M60</b> Wire mesh 60 µm																			
<b>A10</b> Inorganic microfiber 10 µm	<b>M90</b> Wire mesh 90 µm																			
<b>A16</b> Inorganic microfiber 16 µm	<b>P10</b> Resin impregnated paper 10 µm																			
<b>A25</b> Inorganic microfiber 25 µm	<b>P25</b> Resin impregnated paper 25 µm																			
<b>Seals and treatments</b>									<b>Execution</b>											
<b>A</b> NBR									<b>P01</b> MP Filtri standard											
<b>V</b> FPM									<b>Pxx</b> Customized											

### CLOGGING INDICATORS

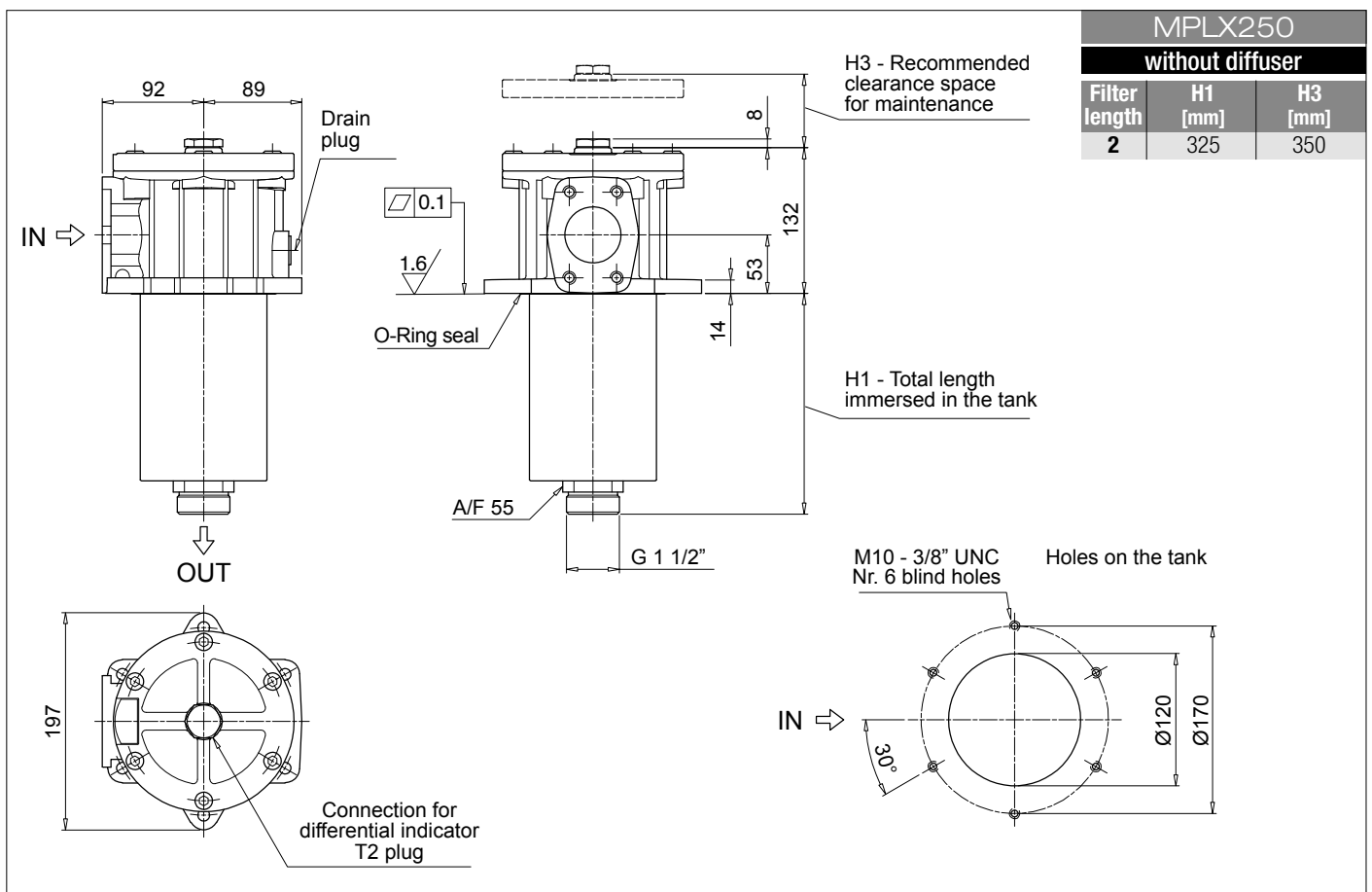
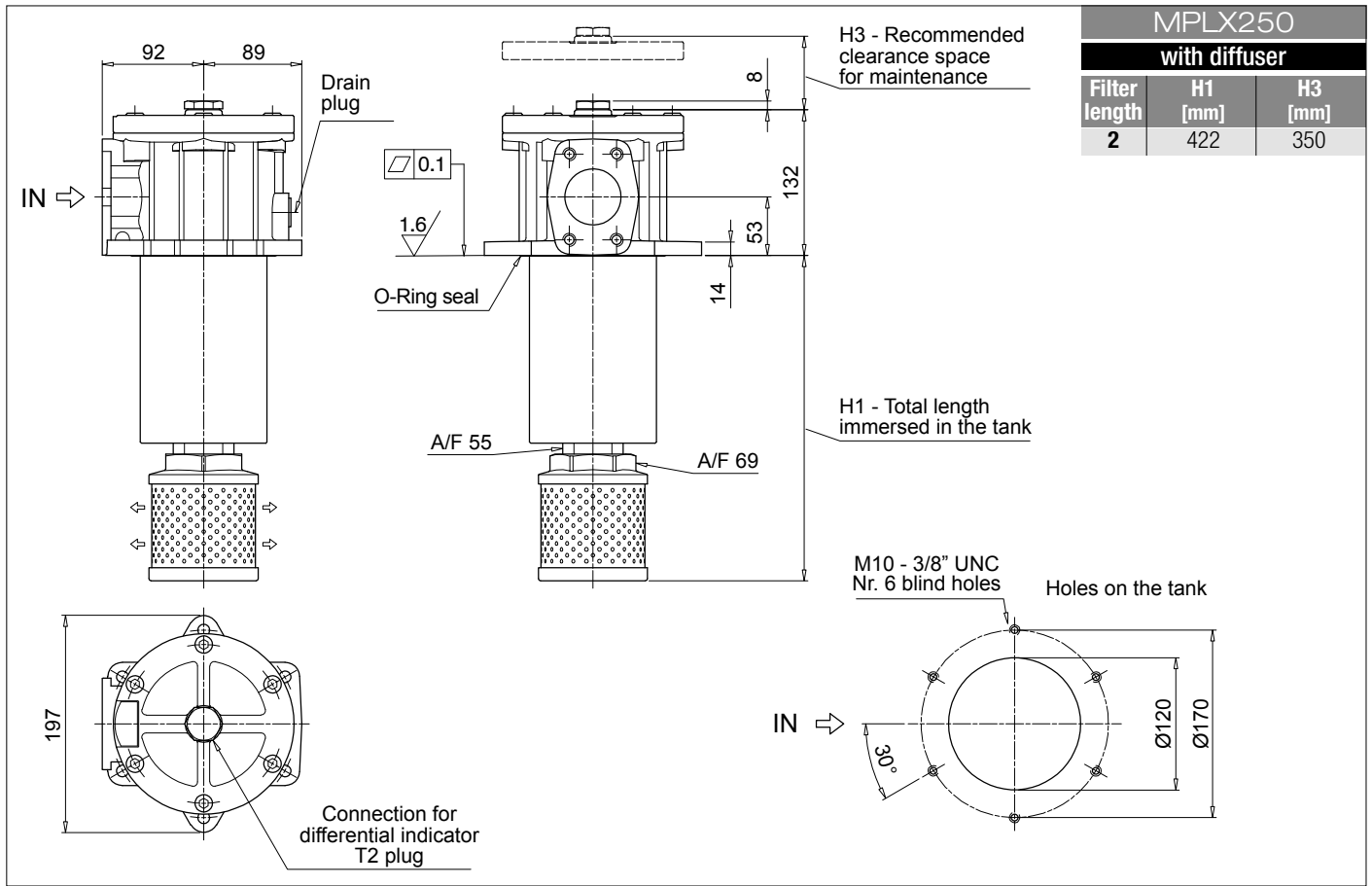
See page 680-681

<b>DEA</b> Electrical differential indicator	<b>DTA</b> Electronic differential indicator
<b>DEM</b> Electrical differential indicator	<b>DVA</b> Visual differential indicator
<b>DLA</b> Electrical / visual differential indicator	<b>DVM</b> Visual differential indicator
<b>DLE</b> Electrical / visual differential indicator	

### PLUGS

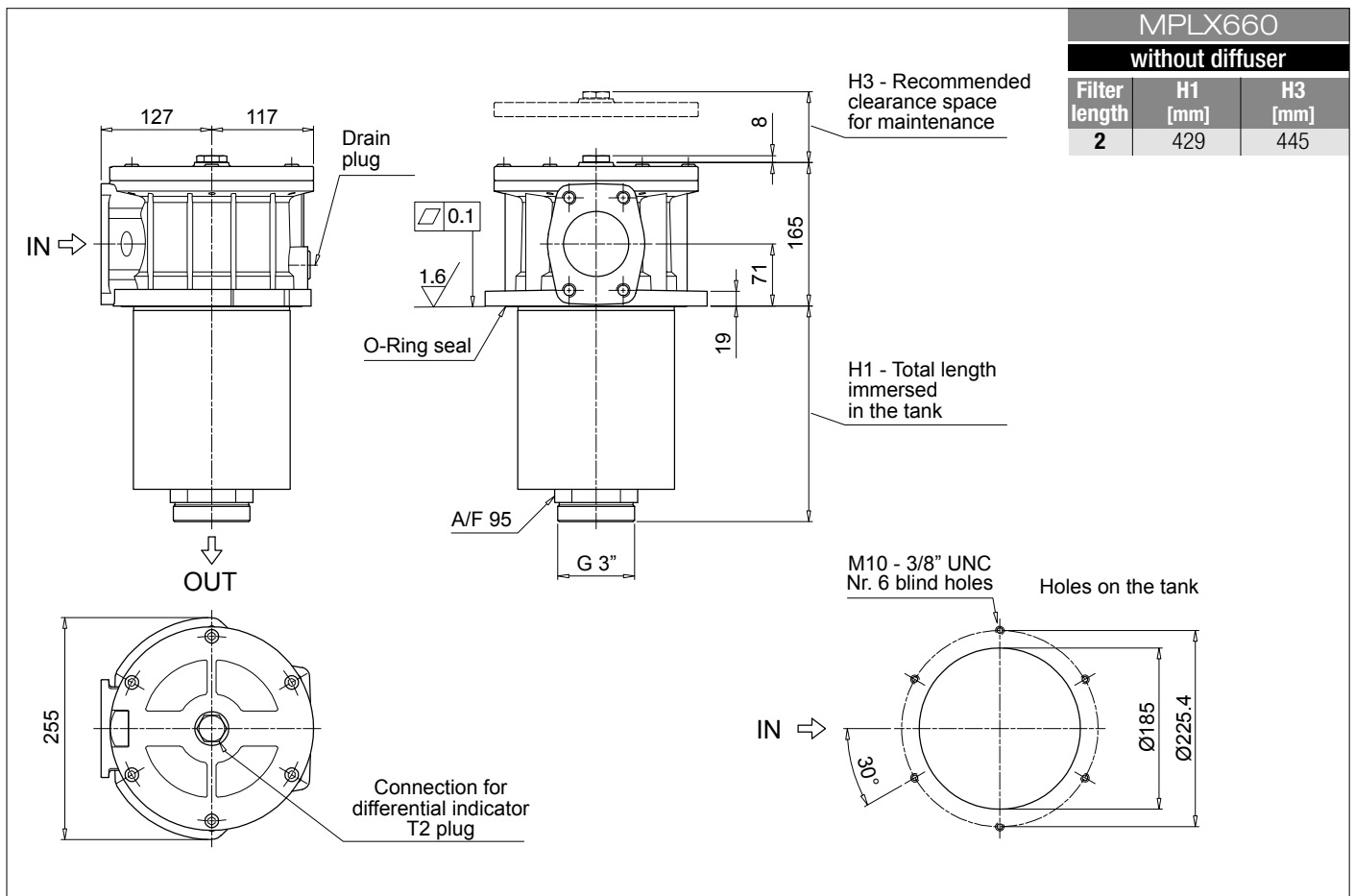
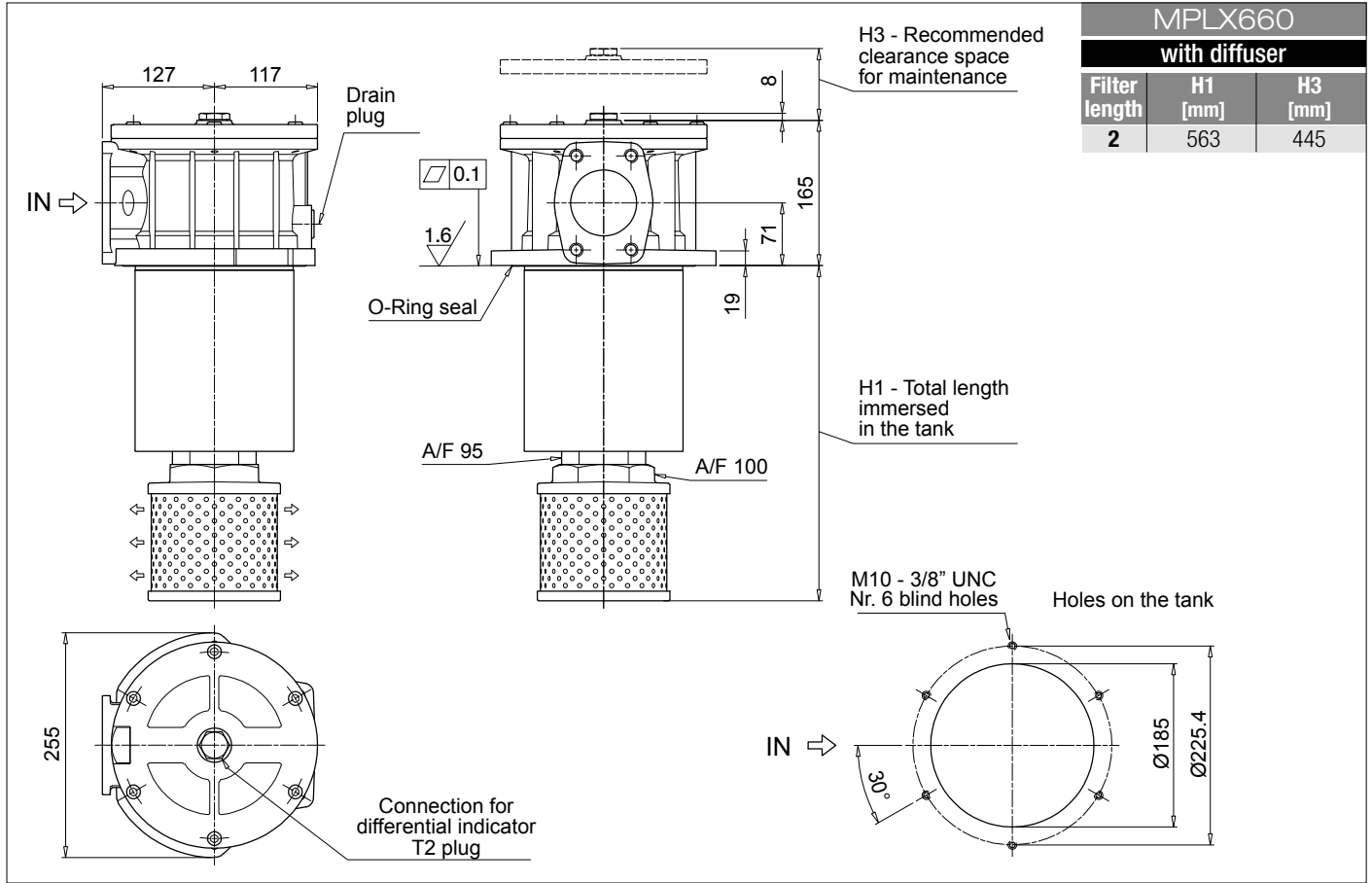
See page 706

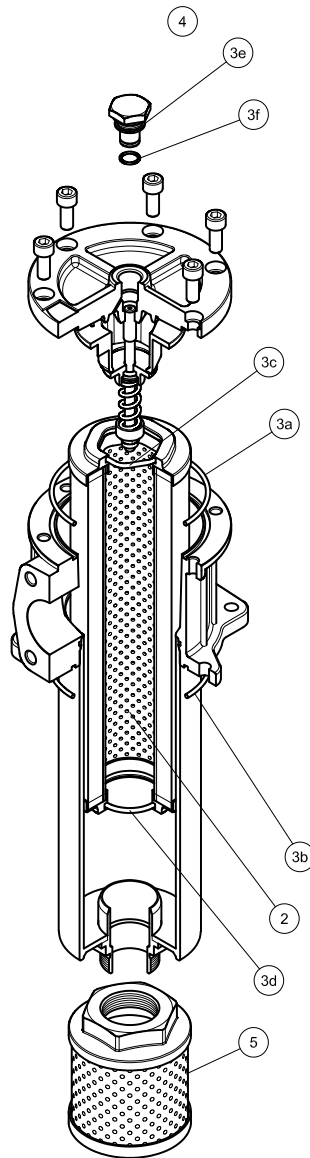
<b>T2</b> Differential indicator plug
---------------------------------------



# MPLX MPLX660

## Dimensions





Item:	Q.ty: 1 pc.	Q.ty: 1 pc.		Q.ty: 1 pc.		Q.ty: 1 pc.
Filter series	Filter element	Seal Kit code number		Indicator connection plug		Diffuser
		NBR	FPM	NBR	FPM	
<b>MPLX 250</b>	See order table	02050745	02050746	T2H	T2V	STD 100 C 115 P01
<b>MPLX 660</b>	See order table	02050747	02050748			STD 150 E 155 P01



THE X CONCEPT FOR OUR FILTERS

Protect the performance of your system with MYclean.  
Quality and efficiency are fundamental for MP Filtri:  
this exclusive new filter element possesses polygon shape geometry and specific seal  
that ensures only original spare parts can be used - ensuring correct operation and  
higher system reliability.

MPTX series

with MYCLEAN MFX Filter Element



- Protects the machine from improper use of non-original products.
- Safety of constant quality protection & reliability

With exclusive filter element you are sure that only MP Filtri filter elements can be used, ensuring the best cleaning level of the oil due to the use of originals filter elements.



The products identified as MPTX are protected by:

- Italian Patent n° 102014902261205
- Canadian Patent n° 2,937,258
- European Patent n° 16181725.9
- US Patent n° 15/224,337

TOGETHER WITH MYCLEAN, AS OPTION, MPTX SERIES CAN BE PROVIDED WITH

**zerospark®**  
THE ANTI-STATIC FILTERS

THE Z CONCEPT FOR OUR FILTERS



Zerospark® is a specialist solution designed to solve the problem of electrostatic discharge inside hydraulic filters. Caused by the electrical charge build-up due to the passage of oil through the filters, this can result in damage to filter elements, oils and circuit components. It can even cause fire hazards in environments where flammable materials are present.

# MPTX series

Maximum working pressure up to 800 kPa (8 bar) - Flow rate up to 300 l/min



## Description

## Technical data

### Return filter

**Maximum working pressure up to 800 kPa (8 bar)**  
**Flow rate up to 300 l/min**

MPTX is a range of return filters with integrated breather filter, for protection of the reservoir against the system contamination. They are directly fixed to the reservoir, in immersed or semi-immersed position. The filter output must be always immersed into the fluid to avoid aeration or foam generation into the reservoir.

#### Available features:

- Female threaded connections up to 1 1/4", for a maximum flow rate of 300 l/min
- Multiple connections, to connect several return lines or drains
- Fine filtration rating, to get a good cleanliness level into the reservoir
- Bypass valve integrated into the filter element, to relieve excessive pressure drop across the filter media
- 2, 3 or 6 fixing holes for installation, to suit a variety of reservoir surfaces
- O-ring or Flat Seal to suit a variety of reservoir surfaces
- Screw-in cover with a special shape, to allow the filter element replacement without the use of specific tools
- Oil dipstick, to easily check the level of the fluid into the reservoir (sold as separate item)
- Extension tube, to be used in deep reservoirs (sold as separate item)
- Diffuser, to reduce the risk of aeration, foaming and noise (sold as separate item)
- Integrated breather filter, to clean the air that moves into the reservoir as result of the oil level fluctuation
- Integrated breather filter with pressurization valve, to clean the air that moves into the reservoir as result of the oil level fluctuation and to guarantee the pressurization into the reservoir
- Visual, electrical and electronic clogging indicators
- MYclean interface connection, to protect the product against non-original spare parts
- External protective wrap, to optimize the flow through the element and to save the element efficiency against non-proper handling

#### Common applications:

- Light industrial equipment
- Mobile application

### Filter housing materials

- Head: Aluminium
- Cover: Polyamide
- Bowl: Polyamide

### Bypass valve

- Opening pressure 175 kPa (1.75 bar)  $\pm 10\%$
- Opening pressure 300 kPa (3 bar)  $\pm 10\%$

### $\Delta p$ element type

- Microfiber filter elements - series H: 10 bar
- Fluid flow through the filter element from OUT to IN

### Seals

- Standard NBR series A
- Optional FPM series V

### Temperature

From -25 °C to +110 °C

### Note

MPTX filters are provided for vertical mounting

## Weights [kg] and volumes [dm<sup>3</sup>]

Filter series	Weights [kg]					Volumes [dm <sup>3</sup> ]				
	Length	1	2	3	4	Length	1	2	3	4
<b>MPTX 025</b>		0.41	0.45	0.50	-		0.24	0.35	0.42	-
<b>MPTX 027</b>		0.44	0.48	0.55	-		0.24	0.35	0.42	-
<b>MPTX 110</b>		1.00	1.05	1.15	1.40		0.72	0.93	1.28	1.74
<b>MPTX 114</b>		1.10	1.15	1.25	1.50		0.72	0.93	1.28	1.74
<b>MPTX 116</b>		1.10	1.15	1.25	1.50		0.72	0.93	1.28	1.74
<b>MPTX 120</b>		1.00	1.05	1.15	1.40		0.72	0.93	1.28	1.74



Filter series	Length	Filter element design - H series					Filter element design - N series		
		A03	A06	A10	A16	A25	M25 M60 M90	P10	P25
<b>MPTX 025-027</b>	<b>1</b>	7	10	23	28	42	59	51	54
	<b>2</b>	17	20	45	48	56	72	64	67
	<b>3</b>	21	24	50	55	59	76	74	75
<b>MPTX 110-120 114-116</b>	<b>1</b>	18	20	53	56	65	153	87	96
	<b>2</b>	28	38	65	75	95	158	111	123
	<b>3</b>	48	55	125	135	169	289	224	251
	<b>4</b>	79	89	180	185	198	306	264	289

### Maximum flow rate for a complete return filter with a pressure drop $\Delta p = 0.5$ bar.

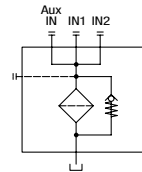
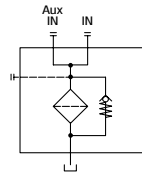
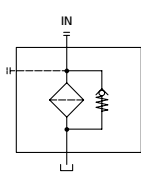
The reference fluid has a kinematic viscosity of 30 mm<sup>2</sup>/s (cSt) and a density of 0.86 kg/dm<sup>3</sup>.

For different pressure drop or fluid viscosity we recommend to use our selection software available on [www.mpfiltri.com](http://www.mpfiltri.com).

You can also calculate the right size using the formulas present on the FILTER SIZING paragraph at the beginning of the full catalogue or at the beginning of the filter family brochure. Please, contact our Sales Department for further additional information.

## Hydraulic symbols

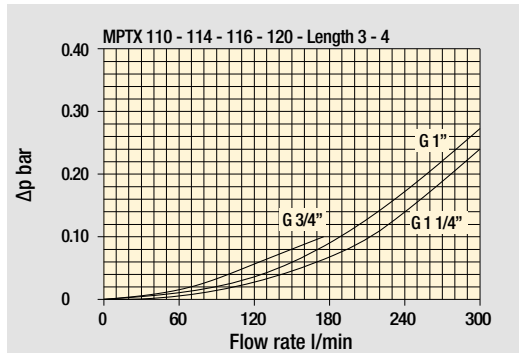
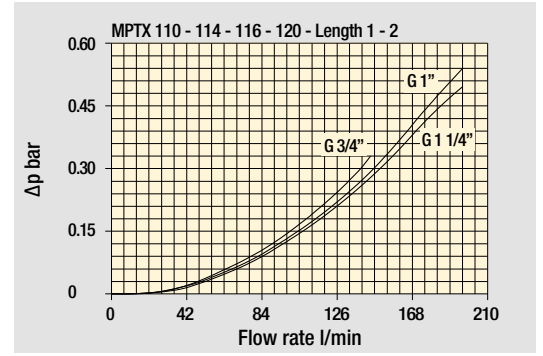
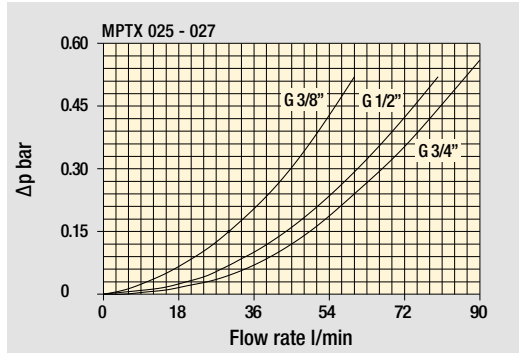
Filter series	Style 1 connection	Style 2 connections	Style 3 connections
<b>MPTX 025</b>	●	-	-
<b>MPTX 027</b>	●	-	-
<b>MPTX 110</b>	-	●	-
<b>MPTX 114</b>	●	-	-
<b>MPTX 116</b>	●	-	-
<b>MPTX 120</b>	-	-	●



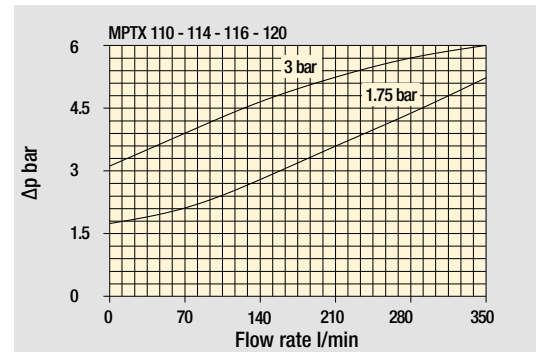
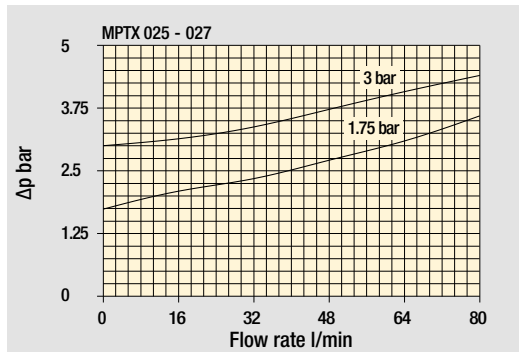
# MPTX GENERAL INFORMATION

## Pressure drop

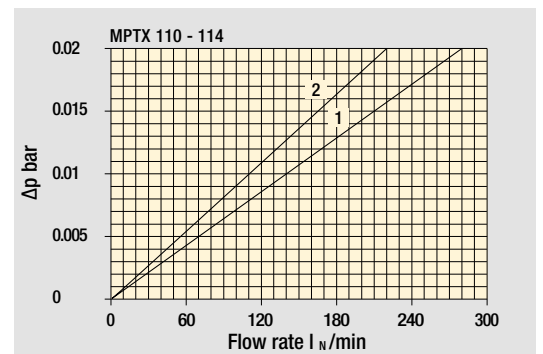
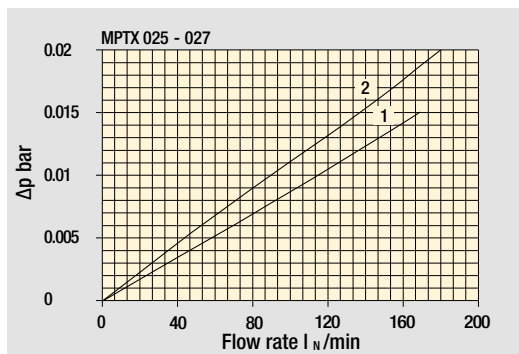
### Filter housings $\Delta p$ pressure drop



### Bypass valve pressure drop



### Air breather pressure drop







- 1  C With air breather 10  $\mu$ m
- 2  D With anti-splash and SAP50 10  $\mu$ m

The curves are plotted using mineral oil with density of 0.86 kg/dm<sup>3</sup> in compliance with ISO 3968.  $\Delta p$  varies proportionally with density.

MPTX 025 -027		
Air breather port plugged Indicator port	Air breather standard Indicator port	Anti-splash air breather & pressurized Double indicator port
		

## Multiport - Multifunction

MPTX 110	
Standard - Single IN Port	Double IN Port - Double indicator port
	
Double IN Port Option: double drain port	Double IN Port - Indicator port Option: drain port
	

## MPTX 120

Triple IN port  
Option: double drain port



# MPTX MPTX025 - MPTX027

## Designation & Ordering code

### COMPLETE FILTER

<b>Series and size</b>	Configuration example 1: <b>MPTX025</b>	<b>1</b>	<b>S</b>	<b>A</b>	<b>G3</b>	<b>A10</b>	<b>E</b>	<b>P01</b>
<b>MPTX025   MPTX027</b> Filter featuring <b>MYCLEAN</b> Filter Element	Configuration example 2: <b>MPTX027</b>	<b>3</b>	<b>C</b>	<b>W</b>	<b>G6</b>	<b>A03</b>	<b>B</b>	<b>P01</b>
<b>Length</b>	<b>1   2   3</b>							
<b>Air breather</b>	<b>S</b> Without air breather <b>C</b> With air breather 10 µm <b>D</b> With anti-splash and air breather SAP050 10 µm <b>P</b> With anti-splash and air breather SAP050 10 µm, pressurization 0.5 bar							
<b>Seals and treatments</b>	Filtration rating							
	<b>Axx</b>	<b>Mxx</b>	<b>Pxx</b>					
<b>A</b> NBR	•	•	•					
<b>V</b> FPM	•	•	•					
<b>W</b> NBR head anodized	•	•	-	filter element compatible with fluids HFA-HFB-HFC				
<b>Z</b> FPM head anodized	•	•	-					
<b>Connections</b>	<b>G1</b> G 3/8" <b>G6</b> 3/4" NPT <b>G2</b> G 1/2" <b>G7</b> SAE 6 - 9/16" - 18 UNF <b>G3</b> G 3/4" <b>G8</b> SAE 8 - 3/4" - 16 UNF <b>G4</b> 3/8" NPT <b>G9</b> SAE 12 - 1 1/16" - 12 UN <b>G5</b> 1/2" NPT							
<b>Filtration rating (filter media)</b>	<b>A03</b> Inorganic microfiber 3 µm <b>M25</b> Wire mesh 25 µm <b>A06</b> Inorganic microfiber 6 µm <b>M60</b> Wire mesh 60 µm <b>A10</b> Inorganic microfiber 10 µm <b>M90</b> Wire mesh 90 µm <b>A16</b> Inorganic microfiber 16 µm <b>P10</b> Resin impregnated paper 10 µm <b>A25</b> Inorganic microfiber 25 µm <b>P25</b> Resin impregnated paper 25 µm							
All filter media except M60, P10 and P25 are compatible with fluids HFA, HFB and HFC				<b>Bypass valve</b> <b>E</b> 3 bar <b>B</b> 1.75 bar				
				<b>Executions</b> <b>Base</b> <b>zereospark+</b> <b>P01</b> <b>Z01</b> MP Filtri standard <b>Pxx</b> <b>Zxx</b> Customized				

### FILTER ELEMENT

<b>Element series and size</b>	Configuration example 2: <b>MFXX020</b>	<b>1</b>	<b>A10</b>	<b>H</b>	<b>B</b>	<b>E</b>	<b>P01</b>
<b>MFXX020</b> Filter Element with <b>MYCLEAN</b> feature	Configuration example 1: <b>MFXX020</b>	<b>3</b>	<b>A03</b>	<b>N</b>	<b>B</b>		<b>P01</b>
<b>Element length</b>	<b>1   2   3</b>						
<b>Filtration rating (filter media)</b>	<b>A03</b> Inorganic microfiber 3 µm <b>M25</b> Wire mesh 25 µm <b>A06</b> Inorganic microfiber 6 µm <b>M60</b> Wire mesh 60 µm <b>A10</b> Inorganic microfiber 10 µm <b>M90</b> Wire mesh 90 µm <b>A16</b> Inorganic microfiber 16 µm <b>P10</b> Resin impregnated paper 10 µm <b>A25</b> Inorganic microfiber 25 µm <b>P25</b> Resin impregnated paper 25 µm						
<b>Element Δp</b>	Filter media						
	<b>Axx</b>	<b>Mxx</b>	<b>Pxx</b>				
<b>N</b> 10 bar	-	•	•				
<b>H</b> 10 bar	•	-	-				
<b>Seals</b>		<b>Bypass valve</b>		<b>Executions</b>			
<b>B</b> NBR	<b>E</b> 3 bar	<b>Base</b> <b>zereospark+</b>		<b>P01</b> <b>Z01</b> MP Filtri standard			
<b>V</b> FPM	- 1.75 bar	<b>Pxx</b> <b>Zxx</b>		Customized			

### CLOGGING INDICATORS

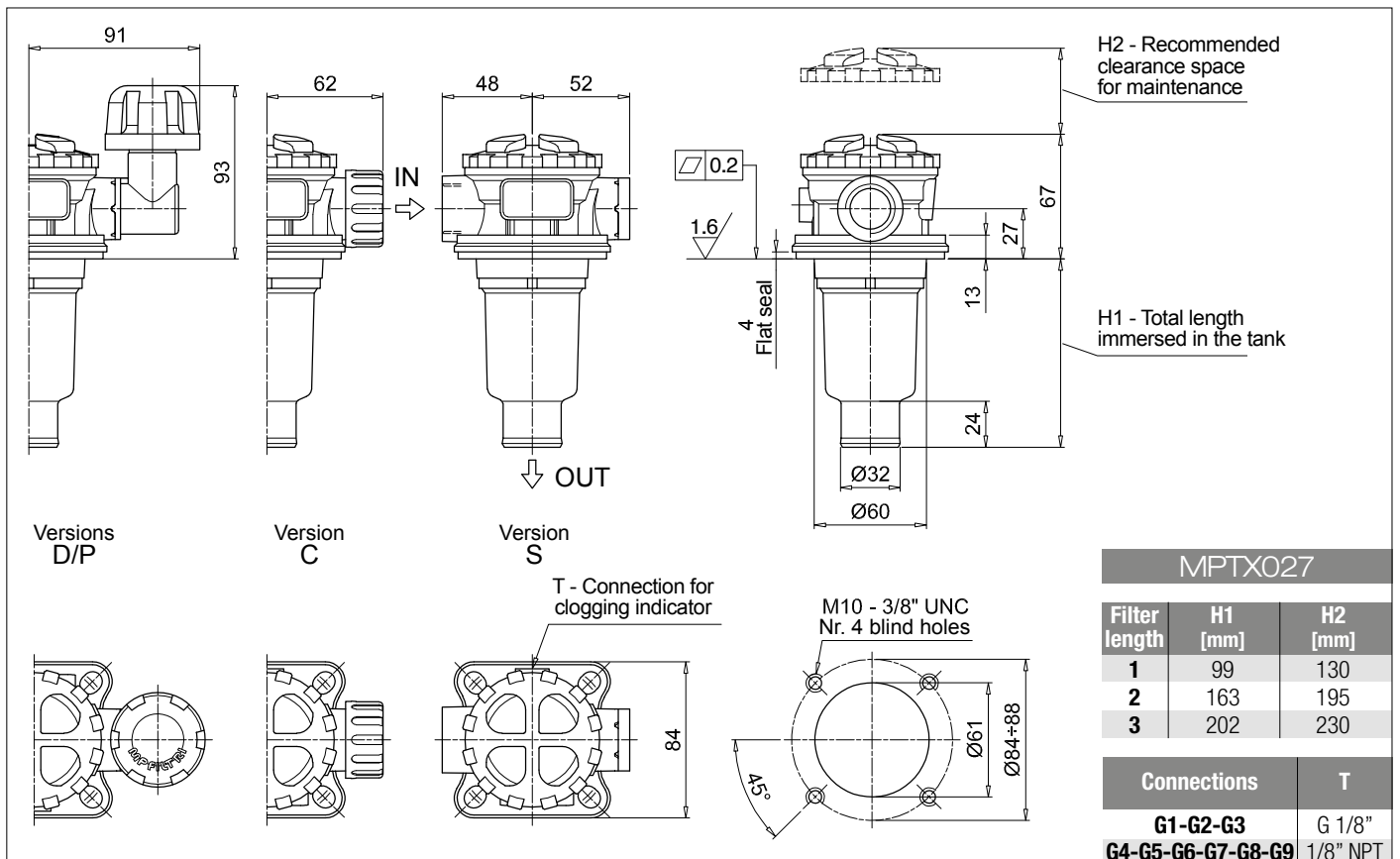
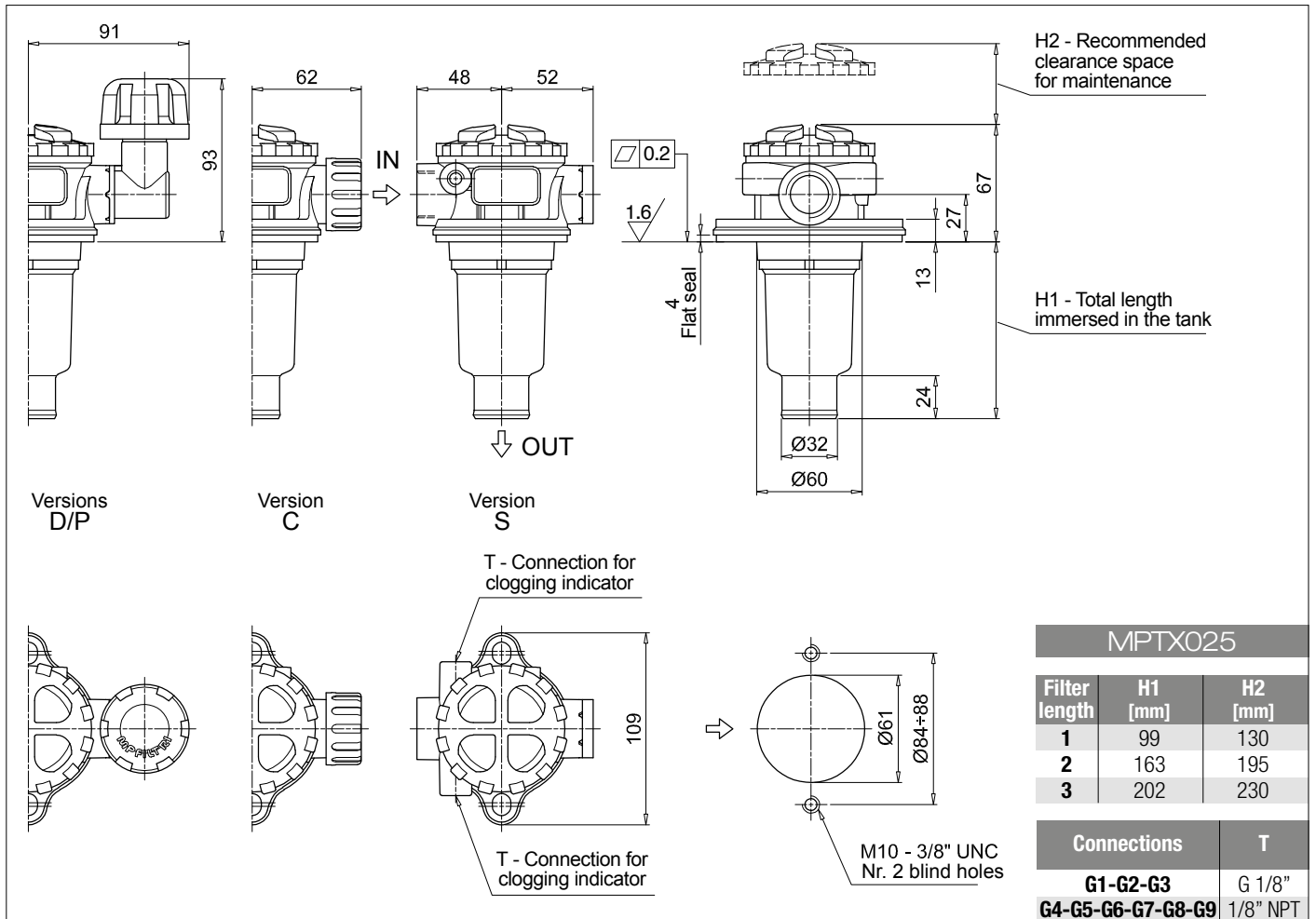
See page 680-681

<b>BVA</b> Axial pressure gauge	<b>BEA</b> Electrical pressure indicator
<b>BVR</b> Radial pressure gauge	<b>BEM</b> Electrical pressure indicator
<b>BVP</b> Visual pressure indicator with automatic reset	<b>BLA</b> Electrical / visual pressure indicator
<b>BVQ</b> Visual pressure indicator with manual reset	

### ADDITIONAL FEATURES

See page 262

<b>TE</b> Extension tube
<b>DPT</b> Dipstick



## Designation & Ordering code

### COMPLETE FILTER

<b>Series and size</b>			Configuration example 1: <b>MPTX110</b>   1   S   A   G1   0   A06   E   P01								
<b>MPTX110</b> Filter featuring <b>MYCLEAN</b> Filter Element			Configuration example 2: <b>MPTX110</b>   3   P   V   G4   1   M25   B   P01								
<b>Length</b>											
1   2   3   4											
<b>Air breather</b>											
S Without air breather											
C With air breather 10 µm											
D With anti-splash and air breather SAP050 10 µm											
P With anti-splash and air breather SAP050 10 µm, pressurization 0.5 bar											
<b>Seals and treatments</b>			Filtration rating								
			Axx	Mxx	Pxx						
A NBR			•	•	•						
V FPM			•	•	•						
W NBR head anodized			•	•	-						
Z FPM head anodized			•	•	-						
			filter element compatible with fluids HFA-HFB-HFC								
<b>Main Connections</b>		<b>Aux size 1</b>	<b>Aux size 2</b>	<b>Main Connections</b>		<b>Aux size 1</b>	<b>Aux size 2</b>				
G1 G 3/4"		G 3/8"	G 1/2"	G6 1 1/4" NPT		3/8" NPT	1/2" NPT				
G2 G 1"				G7 SAE 12 - 1 1/16" - 12 UN		SAE 6 - 9/16" - 18 UNF	SAE 8 - 3/4" - 16 UNF				
G3 G 1 1/4"		3/8" NPT	1/2" NPT	G8 SAE 16 - 1 5/16" - 12 UN							
G4 3/4" NPT				G9 SAE 20 - 1 5/8" - 12 UN							
G5 1" NPT											
<b>Aux connection</b> - see previous table											
0 Not machined   1 Aux size 1   2 Aux size 2											
<b>Filtration rating (filter media)</b>											
A03 Inorganic microfiber 3 µm			M25 Wire mesh 25 µm								
A06 Inorganic microfiber 6 µm			M60 Wire mesh 60 µm								
A10 Inorganic microfiber 10 µm			M90 Wire mesh 90 µm								
A16 Inorganic microfiber 16 µm			P10 Resin impregnated paper 10 µm								
A25 Inorganic microfiber 25 µm			P25 Resin impregnated paper 25 µm								

All filter media except M60, P10 and P25 are compatible with fluids HFA, HFB and HFC

<b>Bypass valve</b>		<b>Executions</b>		
E 3 bar	B 1.75 bar	Base	zero <span style="color:blue">spark</span> *	
		P01	Z01	MP Filtri standard
		Pxx	Zxx	Customized

### FILTER ELEMENT

<b>Element series and size</b>			Configuration example 1: <b>MFX100</b>   1   A06   H   B   E   P01								
<b>MFX100</b> Filter Element with <b>MYCLEAN</b> feature			Configuration example 2: <b>MFX100</b>   3   M25   N   V   P01								
<b>Element length</b>											
1   2   3   4											
<b>Filtration rating (filter media)</b>											
A03 Inorganic microfiber 3 µm			M25 Wire mesh 25 µm								
A06 Inorganic microfiber 6 µm			M60 Wire mesh 60 µm								
A10 Inorganic microfiber 10 µm			M90 Wire mesh 90 µm								
A16 Inorganic microfiber 16 µm			P10 Resin impregnated paper 10 µm								
A25 Inorganic microfiber 25 µm			P25 Resin impregnated paper 25 µm								
<b>Element Δp</b>			Filter media								
			Axx	Mxx	Pxx						
N 10 bar			-	•	•						
H 10 bar			•	-	-						
<b>Seals</b>		<b>Bypass valve</b>		<b>Executions</b>							
B NBR		E 3 bar		Base	zero <span style="color:blue">spark</span> *						
V FPM		- 1.75 bar		P01	Z01	MP Filtri standard					
				Pxx	Zxx	Customized					

### CLOGGING INDICATORS

See page 680-681

<b>BVA</b> Axial pressure gauge	<b>BEA</b> Electrical pressure indicator
<b>BVR</b> Radial pressure gauge	<b>BEM</b> Electrical pressure indicator
<b>BVP</b> Visual pressure indicator with automatic reset	<b>BLA</b> Electrical / visual pressure indicator
<b>BVQ</b> Visual pressure indicator with manual reset	

### ADDITIONAL FEATURES

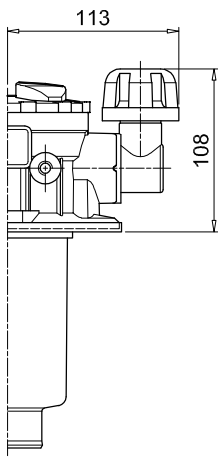
See page 262

<b>TE</b> Extension tube	<b>DPT</b> Dipstick
<b>DFS</b> Diffuser with fast lock connection	

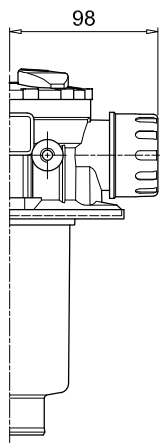
MPTX110		
Filter length	H1 [mm]	H2 [mm]
1	99	120
2	144	170
3	222	250
4	324	350

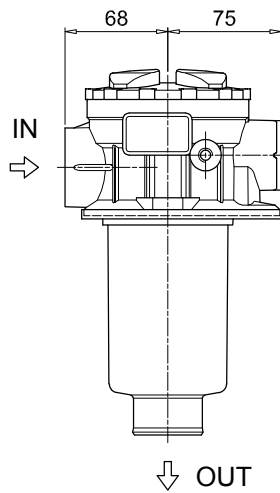
Connections	T
G1-G2-G3	G 1/8"
G4-G5-G6-G7-G8-G9	1/8" NPT



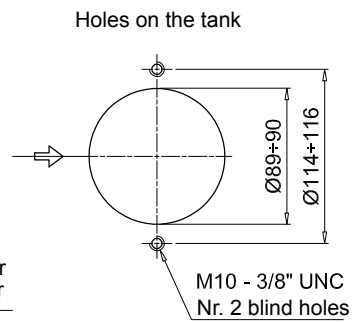
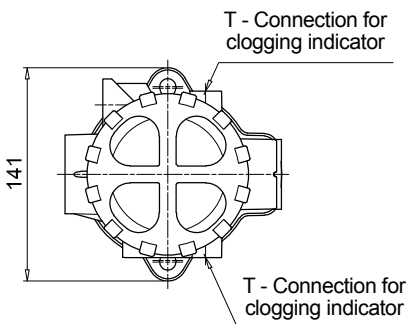
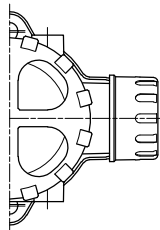
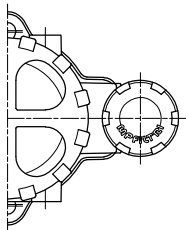
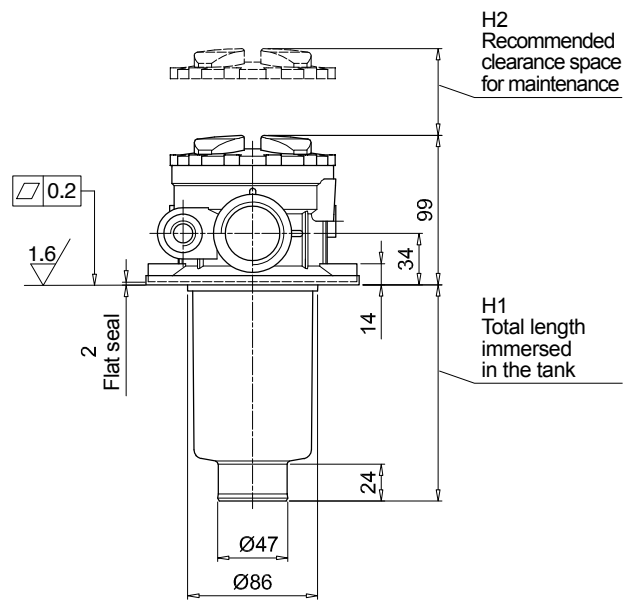
Versions D/P



Version C



Version S



## Designation & Ordering code

### COMPLETE FILTER

<b>Series and size</b>	Configuration example 1: <b>MPTX114</b>	<b>4</b>	<b>S</b>	<b>A</b>	<b>G3</b>	<b>A10</b>	<b>E</b>	<b>P01</b>	
<b>MPTX114</b> Filter featuring <b>MYCLEAN</b> Filter Element	Configuration example 2: <b>MPTX114</b>	<b>3</b>	<b>C</b>	<b>W</b>	<b>G6</b>	<b>A03</b>	<b>B</b>	<b>P01</b>	
<b>Length</b>									
<b>1</b>   <b>2</b>   <b>3</b>   <b>4</b>									
<b>Air breather</b>									
<b>S</b> Without air breather									
<b>C</b> With air breather 10 µm									
<b>D</b> With anti-splash and air breather SAP050 10 µm									
<b>P</b> With anti-splash and air breather SAP050 10 µm pressurization 0.5 bar									
<b>Seals and treatments</b>	Filtration rating								
<b>A</b> NBR	<b>Axx</b>	<b>Mxx</b>	<b>Pxx</b>						
<b>V</b> FPM	•	•	•						
<b>W</b> NBR head anodized	•	•	-						
<b>Z</b> FPM head anodized	•	•	-						
	filter element compatible with fluids HFA-HFB-HFC								
<b>Connections</b>									
<b>G1</b> G 3/4"	<b>G6</b> 1 1/4" NPT								
<b>G2</b> G 1"	<b>G7</b> SAE 12 - 1 1/16" - 12 UN								
<b>G3</b> G 1 1/4"	<b>G8</b> SAE 16 - 1 5/16" - 12 UN								
<b>G4</b> 3/4" NPT	<b>G9</b> SAE 20 - 1 5/8" - 12 UN								
<b>G5</b> 1" NPT									
<b>Filtration rating (filter media)</b>									
<b>A03</b> Inorganic microfiber 3 µm	<b>M25</b> Wire mesh 25 µm								
<b>A06</b> Inorganic microfiber 6 µm	<b>M60</b> Wire mesh 60 µm								
<b>A10</b> Inorganic microfiber 10 µm	<b>M90</b> Wire mesh 90 µm								
<b>A16</b> Inorganic microfiber 16 µm	<b>P10</b> Resin impregnated paper 10 µm								
<b>A25</b> Inorganic microfiber 25 µm	<b>P25</b> Resin impregnated paper 25 µm								
All filter media except M60, P10 and P25 are compatible with fluids HFA, HFB and HFC									
			<b>Bypass valve</b>		<b>Executions</b>				
			<b>E</b> 3 bar		<b>Base</b>	<b>zerospark</b>			
			<b>B</b> 1.75 bar		<b>P01</b>	<b>Z01</b>	MP Filtri standard		
					<b>Pxx</b>	<b>Zxx</b>	Customized		

### FILTER ELEMENT

<b>Element series and size</b>	Configuration example 2: <b>MFX100</b>	<b>4</b>	<b>A10</b>	<b>H</b>	<b>B</b>	<b>E</b>	<b>P01</b>	
<b>MFX100</b> Filter Element with <b>MYCLEAN</b> feature	Configuration example 1: <b>MFX100</b>	<b>3</b>	<b>A03</b>	<b>N</b>	<b>B</b>		<b>P01</b>	
<b>Element length</b>								
<b>1</b>   <b>2</b>   <b>3</b>   <b>4</b>								
<b>Filtration rating (filter media)</b>								
<b>A03</b> Inorganic microfiber 3 µm	<b>M25</b> Wire mesh 25 µm							
<b>A06</b> Inorganic microfiber 6 µm	<b>M60</b> Wire mesh 60 µm							
<b>A10</b> Inorganic microfiber 10 µm	<b>M90</b> Wire mesh 90 µm							
<b>A16</b> Inorganic microfiber 16 µm	<b>P10</b> Resin impregnated paper 10 µm							
<b>A25</b> Inorganic microfiber 25 µm	<b>P25</b> Resin impregnated paper 25 µm							
<b>Element Δp</b>	Filter media							
<b>N</b> 10 bar	<b>Axx</b>	<b>Mxx</b>	<b>Pxx</b>					
<b>H</b> 10 bar	•	-	-					
			<b>Seals</b>		<b>Bypass valve</b>		<b>Executions</b>	
			<b>B</b> NBR		<b>E</b> 3 bar		<b>Base</b>	<b>zerospark</b>
			<b>V</b> FPM		<b>-</b> 1.75 bar		<b>P01</b>	<b>Z01</b>
							<b>Pxx</b>	<b>Zxx</b>
							MP Filtri standard	
							Customized	

### CLOGGING INDICATORS

See page 680-681

<b>BVA</b> Axial pressure gauge	<b>BEA</b> Electrical pressure indicator
<b>BVR</b> Radial pressure gauge	<b>BEM</b> Electrical pressure indicator
<b>BVP</b> Visual pressure indicator with automatic reset	<b>BLA</b> Electrical / visual pressure indicator
<b>BVQ</b> Visual pressure indicator with manual reset	

### ADDITIONAL FEATURES

See page 262

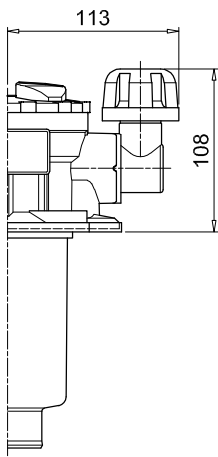
<b>TE</b> Extension tube	<b>DPT</b> Dipstick
<b>DFS</b> Diffuser with fast lock connection	



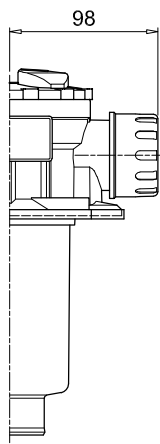
MPTX114		
Filter length	H1 [mm]	H2 [mm]
1	99	120
2	144	170
3	222	250
4	324	350

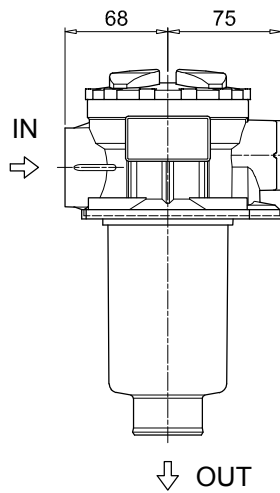
Connections	T
G1-G2-G3	G 1/8"
G4-G5-G6-G7-G8-G9	1/8" NPT



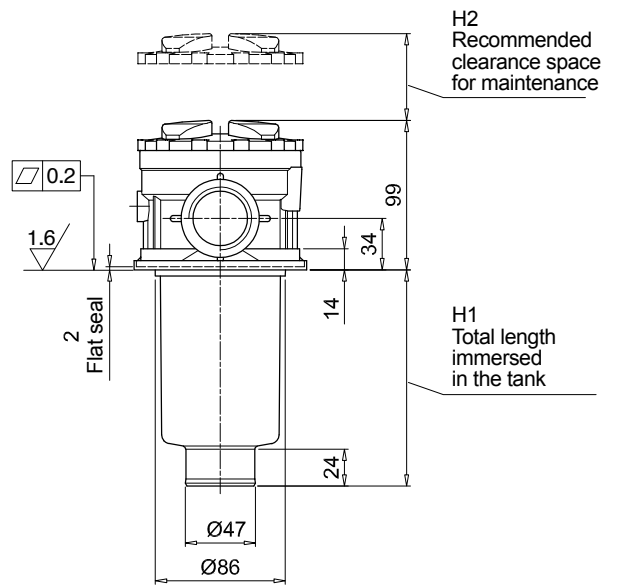
Versions D/P



Version C

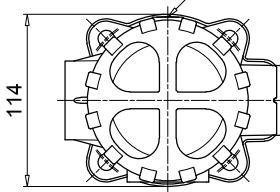
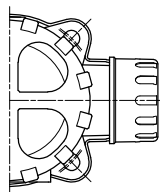
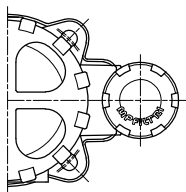


Version S



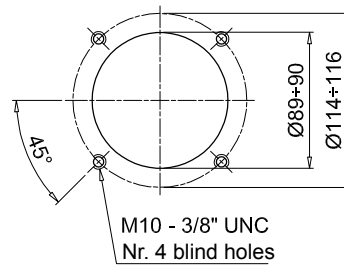
H2  
Recommended clearance space for maintenance

H1  
Total length immersed in the tank



T - Connection for clogging indicator

Holes on the tank



M10 - 3/8" UNC  
Nr. 4 blind holes

# MPTX MPTX116

## Designation & Ordering code

### COMPLETE FILTER

<b>Series and size</b>	Configuration example 1: <b>MPTX116</b>   1   S   A   G1   M90   E   P01																				
<b>MPTX116</b> Filter featuring <b>MY CLEAN</b> Filter Element	Configuration example 2: <b>MPTX116</b>   2   S   Z   G9   A03   B   P01																				
<b>Length</b>	1   2   3   4																				
<b>Air breather</b>	S Without air breather																				
<b>Seals and treatments</b>	<table border="1"> <thead> <tr> <th></th> <th>Axx</th> <th>Mxx</th> <th>Pxx</th> </tr> </thead> <tbody> <tr> <td><b>A</b> NBR</td> <td>•</td> <td>•</td> <td>•</td> </tr> <tr> <td><b>V</b> FPM</td> <td>•</td> <td>•</td> <td>•</td> </tr> <tr> <td><b>W</b> NBR head anodized</td> <td>•</td> <td>•</td> <td>-</td> </tr> <tr> <td><b>Z</b> FPM head anodized</td> <td>•</td> <td>•</td> <td>-</td> </tr> </tbody> </table>		Axx	Mxx	Pxx	<b>A</b> NBR	•	•	•	<b>V</b> FPM	•	•	•	<b>W</b> NBR head anodized	•	•	-	<b>Z</b> FPM head anodized	•	•	-
	Axx	Mxx	Pxx																		
<b>A</b> NBR	•	•	•																		
<b>V</b> FPM	•	•	•																		
<b>W</b> NBR head anodized	•	•	-																		
<b>Z</b> FPM head anodized	•	•	-																		
	Filtration rating filter element compatible with fluids HFA-HFB-HFC																				
Flat seal on the head on request																					
<b>Connections</b>	<table border="1"> <tr> <td><b>G1</b> G 3/4"</td> <td><b>G6</b> 1 1/4" NPT</td> </tr> <tr> <td><b>G2</b> G 1"</td> <td><b>G7</b> SAE 12 - 1 1/16" - 12 UN</td> </tr> <tr> <td><b>G3</b> G 1 1/4"</td> <td><b>G8</b> SAE 16 - 1 5/16" - 12 UN</td> </tr> <tr> <td><b>G4</b> 3/4" NPT</td> <td><b>G9</b> SAE 20 - 1 5/8" - 12 UN</td> </tr> <tr> <td><b>G5</b> 1" NPT</td> <td></td> </tr> </table>	<b>G1</b> G 3/4"	<b>G6</b> 1 1/4" NPT	<b>G2</b> G 1"	<b>G7</b> SAE 12 - 1 1/16" - 12 UN	<b>G3</b> G 1 1/4"	<b>G8</b> SAE 16 - 1 5/16" - 12 UN	<b>G4</b> 3/4" NPT	<b>G9</b> SAE 20 - 1 5/8" - 12 UN	<b>G5</b> 1" NPT											
<b>G1</b> G 3/4"	<b>G6</b> 1 1/4" NPT																				
<b>G2</b> G 1"	<b>G7</b> SAE 12 - 1 1/16" - 12 UN																				
<b>G3</b> G 1 1/4"	<b>G8</b> SAE 16 - 1 5/16" - 12 UN																				
<b>G4</b> 3/4" NPT	<b>G9</b> SAE 20 - 1 5/8" - 12 UN																				
<b>G5</b> 1" NPT																					
<b>Filtration rating (filter media)</b>	<table border="1"> <tr> <td><b>A03</b> Inorganic microfiber 3 µm</td> <td><b>M25</b> Wire mesh 25 µm</td> </tr> <tr> <td><b>A06</b> Inorganic microfiber 6 µm</td> <td><b>M60</b> Wire mesh 60 µm</td> </tr> <tr> <td><b>A10</b> Inorganic microfiber 10 µm</td> <td><b>M90</b> Wire mesh 90 µm</td> </tr> <tr> <td><b>A16</b> Inorganic microfiber 16 µm</td> <td><b>P10</b> Resin impregnated paper 10 µm</td> </tr> <tr> <td><b>A25</b> Inorganic microfiber 25 µm</td> <td><b>P25</b> Resin impregnated paper 25 µm</td> </tr> </table>	<b>A03</b> Inorganic microfiber 3 µm	<b>M25</b> Wire mesh 25 µm	<b>A06</b> Inorganic microfiber 6 µm	<b>M60</b> Wire mesh 60 µm	<b>A10</b> Inorganic microfiber 10 µm	<b>M90</b> Wire mesh 90 µm	<b>A16</b> Inorganic microfiber 16 µm	<b>P10</b> Resin impregnated paper 10 µm	<b>A25</b> Inorganic microfiber 25 µm	<b>P25</b> Resin impregnated paper 25 µm										
<b>A03</b> Inorganic microfiber 3 µm	<b>M25</b> Wire mesh 25 µm																				
<b>A06</b> Inorganic microfiber 6 µm	<b>M60</b> Wire mesh 60 µm																				
<b>A10</b> Inorganic microfiber 10 µm	<b>M90</b> Wire mesh 90 µm																				
<b>A16</b> Inorganic microfiber 16 µm	<b>P10</b> Resin impregnated paper 10 µm																				
<b>A25</b> Inorganic microfiber 25 µm	<b>P25</b> Resin impregnated paper 25 µm																				
All filter media except M60, P10 and P25 are compatible with fluids HFA, HFB and HFC																					
<b>Bypass valve</b>	<table border="1"> <tr> <td><b>E</b> 3 bar</td> <td><b>B</b> 1.75 bar</td> </tr> </table>	<b>E</b> 3 bar	<b>B</b> 1.75 bar																		
<b>E</b> 3 bar	<b>B</b> 1.75 bar																				
<b>Executions</b>	<table border="1"> <tr> <td><b>Base</b></td> <td><b>zérospark*</b></td> <td></td> </tr> <tr> <td><b>P01</b></td> <td><b>Z01</b></td> <td>MP Filtri standard</td> </tr> <tr> <td><b>Pxx</b></td> <td><b>Zxx</b></td> <td>Customized</td> </tr> </table>	<b>Base</b>	<b>zérospark*</b>		<b>P01</b>	<b>Z01</b>	MP Filtri standard	<b>Pxx</b>	<b>Zxx</b>	Customized											
<b>Base</b>	<b>zérospark*</b>																				
<b>P01</b>	<b>Z01</b>	MP Filtri standard																			
<b>Pxx</b>	<b>Zxx</b>	Customized																			

### FILTER ELEMENT

<b>Element series and size</b>	Configuration example 2: <b>MFx100</b>   1   M90   N   B   E   P01												
<b>MFx100</b> Filter Element with <b>MY CLEAN</b> feature	Configuration example 1: <b>MFx100</b>   2   A03   H   V   P01												
<b>Element length</b>	1   2   3   4												
<b>Filtration rating (filter media)</b>	<table border="1"> <tr> <td><b>A03</b> Inorganic microfiber 3 µm</td> <td><b>M25</b> Wire mesh 25 µm</td> </tr> <tr> <td><b>A06</b> Inorganic microfiber 6 µm</td> <td><b>M60</b> Wire mesh 60 µm</td> </tr> <tr> <td><b>A10</b> Inorganic microfiber 10 µm</td> <td><b>M90</b> Wire mesh 90 µm</td> </tr> <tr> <td><b>A16</b> Inorganic microfiber 16 µm</td> <td><b>P10</b> Resin impregnated paper 10 µm</td> </tr> <tr> <td><b>A25</b> Inorganic microfiber 25 µm</td> <td><b>P25</b> Resin impregnated paper 25 µm</td> </tr> </table>	<b>A03</b> Inorganic microfiber 3 µm	<b>M25</b> Wire mesh 25 µm	<b>A06</b> Inorganic microfiber 6 µm	<b>M60</b> Wire mesh 60 µm	<b>A10</b> Inorganic microfiber 10 µm	<b>M90</b> Wire mesh 90 µm	<b>A16</b> Inorganic microfiber 16 µm	<b>P10</b> Resin impregnated paper 10 µm	<b>A25</b> Inorganic microfiber 25 µm	<b>P25</b> Resin impregnated paper 25 µm		
<b>A03</b> Inorganic microfiber 3 µm	<b>M25</b> Wire mesh 25 µm												
<b>A06</b> Inorganic microfiber 6 µm	<b>M60</b> Wire mesh 60 µm												
<b>A10</b> Inorganic microfiber 10 µm	<b>M90</b> Wire mesh 90 µm												
<b>A16</b> Inorganic microfiber 16 µm	<b>P10</b> Resin impregnated paper 10 µm												
<b>A25</b> Inorganic microfiber 25 µm	<b>P25</b> Resin impregnated paper 25 µm												
<b>Element Δp</b>	<table border="1"> <thead> <tr> <th></th> <th>Axx</th> <th>Mxx</th> <th>Pxx</th> </tr> </thead> <tbody> <tr> <td><b>N</b> 10 bar</td> <td>-</td> <td>•</td> <td>•</td> </tr> <tr> <td><b>H</b> 10 bar</td> <td>•</td> <td>-</td> <td>-</td> </tr> </tbody> </table>		Axx	Mxx	Pxx	<b>N</b> 10 bar	-	•	•	<b>H</b> 10 bar	•	-	-
	Axx	Mxx	Pxx										
<b>N</b> 10 bar	-	•	•										
<b>H</b> 10 bar	•	-	-										
<b>Seals</b>	<table border="1"> <tr> <td><b>B</b> NBR</td> <td><b>V</b> FPM</td> </tr> </table>	<b>B</b> NBR	<b>V</b> FPM										
<b>B</b> NBR	<b>V</b> FPM												
<b>Bypass valve</b>	<table border="1"> <tr> <td><b>E</b> 3 bar</td> <td>- 1.75 bar</td> </tr> </table>	<b>E</b> 3 bar	- 1.75 bar										
<b>E</b> 3 bar	- 1.75 bar												
<b>Executions</b>	<table border="1"> <tr> <td><b>Base</b></td> <td><b>zérospark*</b></td> <td></td> </tr> <tr> <td><b>P01</b></td> <td><b>Z01</b></td> <td>MP Filtri standard</td> </tr> <tr> <td><b>Pxx</b></td> <td><b>Zxx</b></td> <td>Customized</td> </tr> </table>	<b>Base</b>	<b>zérospark*</b>		<b>P01</b>	<b>Z01</b>	MP Filtri standard	<b>Pxx</b>	<b>Zxx</b>	Customized			
<b>Base</b>	<b>zérospark*</b>												
<b>P01</b>	<b>Z01</b>	MP Filtri standard											
<b>Pxx</b>	<b>Zxx</b>	Customized											

### CLOGGING INDICATORS

See page 680-681

<b>BVA</b> Axial pressure gauge	<b>BEA</b> Electrical pressure indicator
<b>BVR</b> Radial pressure gauge	<b>BEM</b> Electrical pressure indicator
<b>BVP</b> Visual pressure indicator with automatic reset	<b>BLA</b> Electrical / visual pressure indicator
<b>BVQ</b> Visual pressure indicator with manual reset	

### ADDITIONAL FEATURES

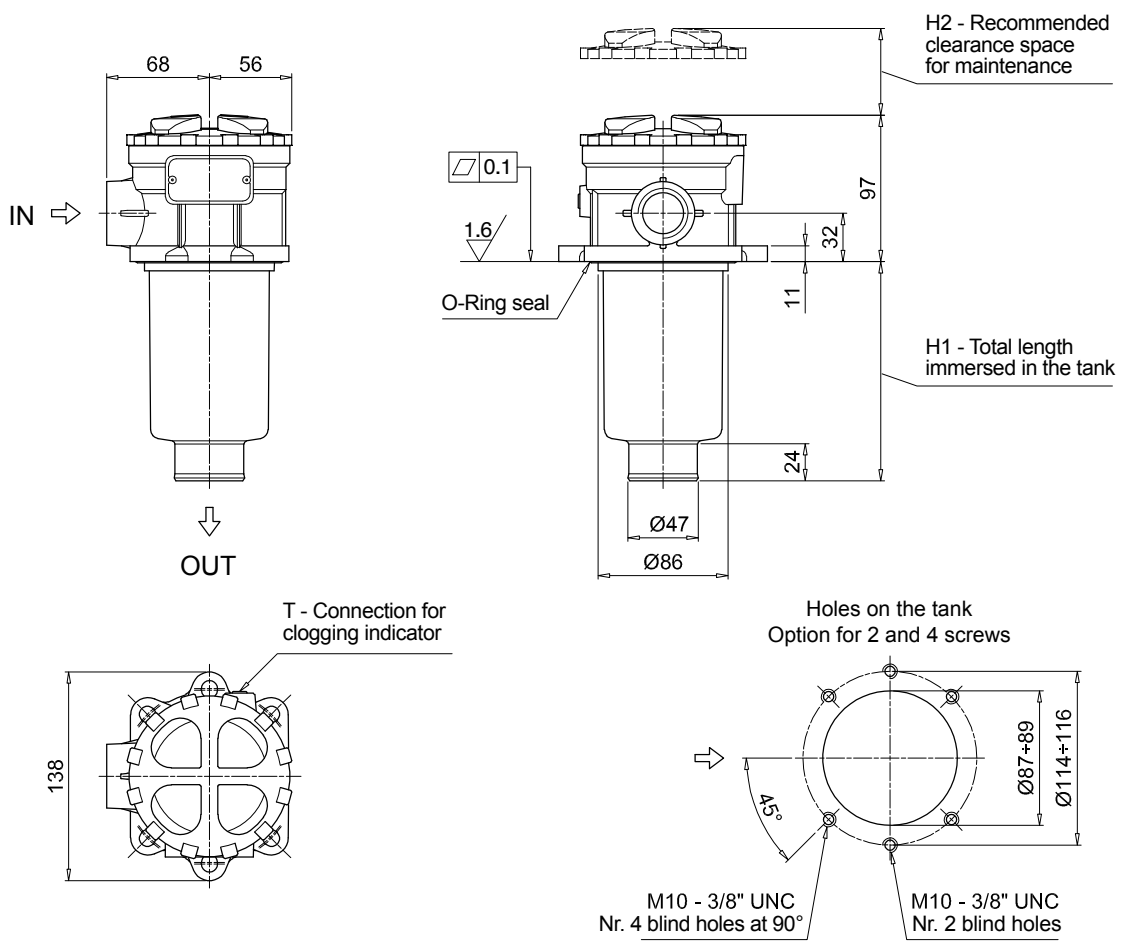
See page 262

<b>TE</b> Extension tube	<b>DPT</b> Dipstick
<b>DFS</b> Diffuser with fast lock connection	

MPTX116		
Filter length	H1 [mm]	H2 [mm]
<b>1</b>	99	120
<b>2</b>	146	170
<b>3</b>	224	250
<b>4</b>	326	350

Connections	T
<b>G1-G2-G3</b>	G 1/8"
<b>G4-G5-G6-G7-G8-G9</b>	1/8" NPT



## Designation & Ordering code

### COMPLETE FILTER

<b>Series and size</b>	Configuration example 1: <b>MPTX120</b>   <b>1</b>   <b>A</b>   <b>G1</b>   <b>0</b>   <b>A06</b>   <b>E</b>   <b>P01</b>
<b>MPTX120</b> Filter featuring <b>MY CLEAN</b> Filter Element	Configuration example 2: <b>MPTX120</b>   <b>3</b>   <b>V</b>   <b>G4</b>   <b>1</b>   <b>M25</b>   <b>B</b>   <b>P01</b>

<b>Length</b>	<b>1</b>   <b>2</b>   <b>3</b>   <b>4</b>
---------------	---

Seals and treatments	Filtration rating		
	Axx	Mxx	Pxx
<b>A</b> NBR	•	•	•
<b>V</b> FPM	•	•	•
<b>W</b> NBR head anodized	•	•	-
<b>Z</b> FPM head anodized	•	•	-

filter element compatible with fluids HFA-HFB-HFC

Main Connections	Rear connections	Aux size 1	Aux size 2
<b>G1</b> G 3/4"	G 3/4"	G 3/8"	G 1/2"
<b>G2</b> G 1"	G 1"		
<b>G3</b> G 1 1/4"	G 3/4"	3/8" NPT	1/2" NPT
<b>G4</b> 3/4" NPT	3/4" NPT		
<b>G5</b> 1" NPT	1" NPT	SAE 6 - 9/16" - 18 UNF	SAE 8 - 3/4" - 16 UNF
<b>G6</b> 1 1/4" NPT	3/4" NPT		
<b>G7</b> SAE 12 - 1 1/16" - 12 UN	SAE 12 - 1 1/16" - 12 UN		
<b>G8</b> SAE 16 - 1 5/16" - 12 UN	SAE 16 - 1 5/16" - 12 UN		
<b>G9</b> SAE 20 - 1 5/8" - 12 UN	SAE 12 - 1 1/16" - 12 UN		

<b>Aux connection</b> - see previous table
<b>0</b> Not machined   <b>1</b> Aux size 1   <b>2</b> Aux size 2

Filtration rating (filter media)	
<b>A03</b> Inorganic microfiber 3 µm	<b>M25</b> Wire mesh 25 µm
<b>A06</b> Inorganic microfiber 6 µm	<b>M60</b> Wire mesh 60 µm
<b>A10</b> Inorganic microfiber 10 µm	<b>M90</b> Wire mesh 90 µm
<b>A16</b> Inorganic microfiber 16 µm	<b>P10</b> Resin impregnated paper 10 µm
<b>A25</b> Inorganic microfiber 25 µm	<b>P25</b> Resin impregnated paper 25 µm

All filter media except M60, P10 and P25 are compatible with fluids HFA, HFB and HFC

Bypass valve	Executions	
	Base	zérospark*
<b>E</b> 3 bar	<b>P01</b>	<b>Z01</b> MP Filtri standard
<b>B</b> 1.75 bar	<b>Pxx</b>	<b>Zxx</b> Customized

### FILTER ELEMENT

<b>Element series and size</b>	Configuration example 1: <b>MFx100</b>   <b>1</b>   <b>A06</b>   <b>H</b>   <b>B</b>   <b>E</b>   <b>P01</b>
<b>MFx100</b> Filter Element with <b>MY CLEAN</b> feature	Configuration example 2: <b>MFx100</b>   <b>3</b>   <b>M25</b>   <b>N</b>   <b>V</b>   <b>P01</b>

<b>Element length</b>	<b>1</b>   <b>2</b>   <b>3</b>   <b>4</b>
-----------------------	---

Filtration rating (filter media)	
<b>A03</b> Inorganic microfiber 3 µm	<b>M25</b> Wire mesh 25 µm
<b>A06</b> Inorganic microfiber 6 µm	<b>M60</b> Wire mesh 60 µm
<b>A10</b> Inorganic microfiber 10 µm	<b>M90</b> Wire mesh 90 µm
<b>A16</b> Inorganic microfiber 16 µm	<b>P10</b> Resin impregnated paper 10 µm
<b>A25</b> Inorganic microfiber 25 µm	<b>P25</b> Resin impregnated paper 25 µm

Element Δp	Filter media		
	Axx	Mxx	Pxx
<b>N</b> 10 bar	-	•	•
<b>H</b> 10 bar	•	-	-

Seals	Bypass valve	Executions	
		Base	zérospark*
<b>B</b> NBR	<b>E</b> 3 bar	<b>P01</b>	<b>Z01</b> MP Filtri standard
<b>V</b> FPM	- 1.75 bar	<b>Pxx</b>	<b>Zxx</b> Customized

### CLOGGING INDICATORS

See page 680-681

<b>BVA</b> Axial pressure gauge	<b>BEA</b> Electrical pressure indicator
<b>BVR</b> Radial pressure gauge	<b>BEM</b> Electrical pressure indicator
<b>BVP</b> Visual pressure indicator with automatic reset	<b>BLA</b> Electrical / visual pressure indicator
<b>BVQ</b> Visual pressure indicator with manual reset	

### ADDITIONAL FEATURES

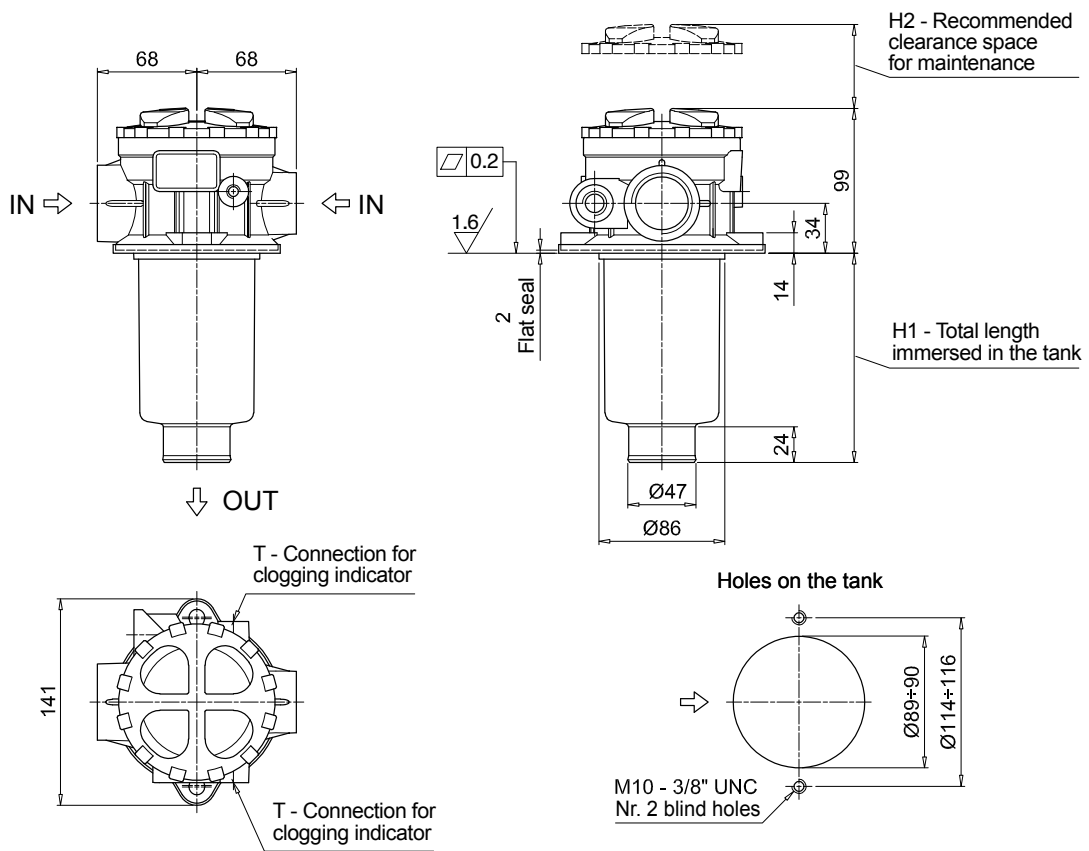
See page 262

<b>TE</b> Extension tube	<b>DPT</b> Dipstick
<b>DFS</b> Diffuser with fast lock connection	

MPTX120		
Filter length	H1 [mm]	H2 [mm]
<b>1</b>	99	120
<b>2</b>	144	170
<b>3</b>	222	250
<b>4</b>	324	350

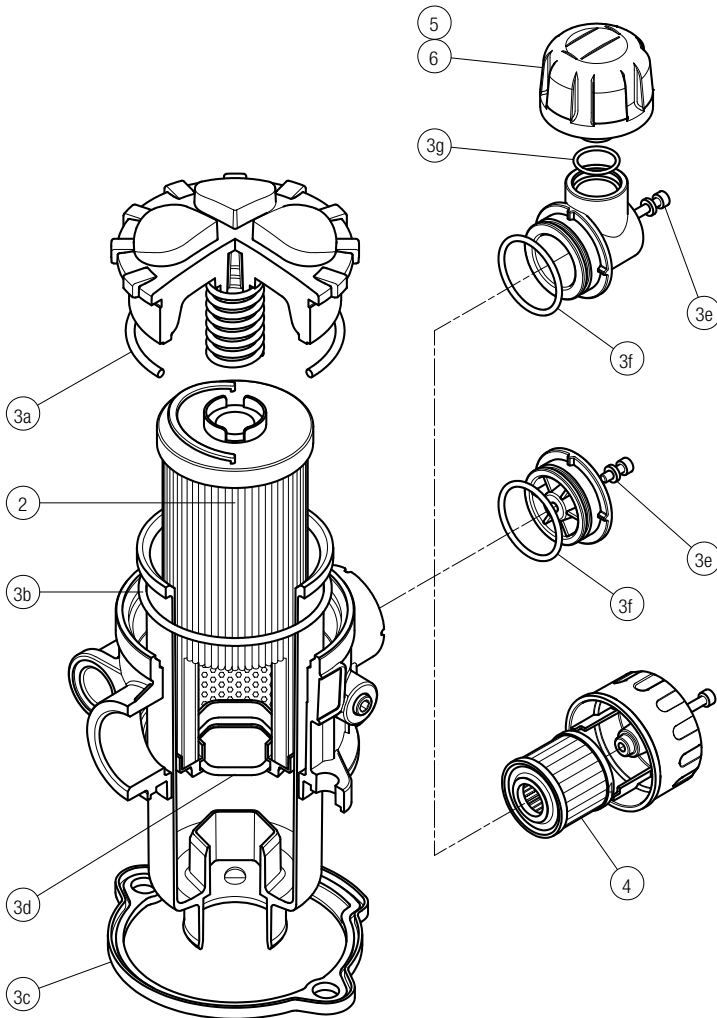
Connections	T
<b>G1-G2-G3</b>	G 1/8"
<b>G4-G5-G6-G7-G8-G9</b>	1/8" NPT



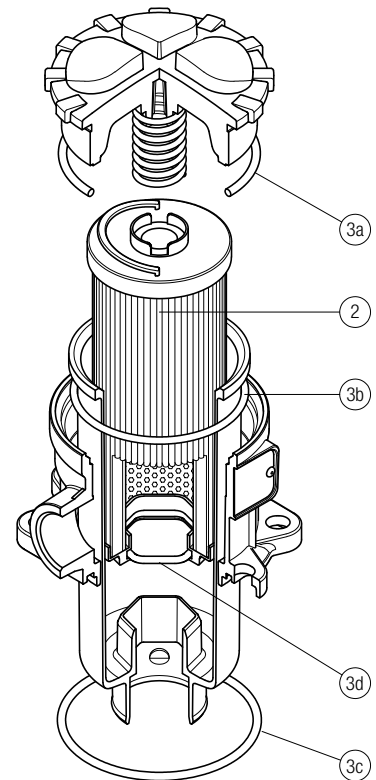
# MPTX SPARE PARTS

Order number for spare parts

**MPTX 025 - 027 - 110**



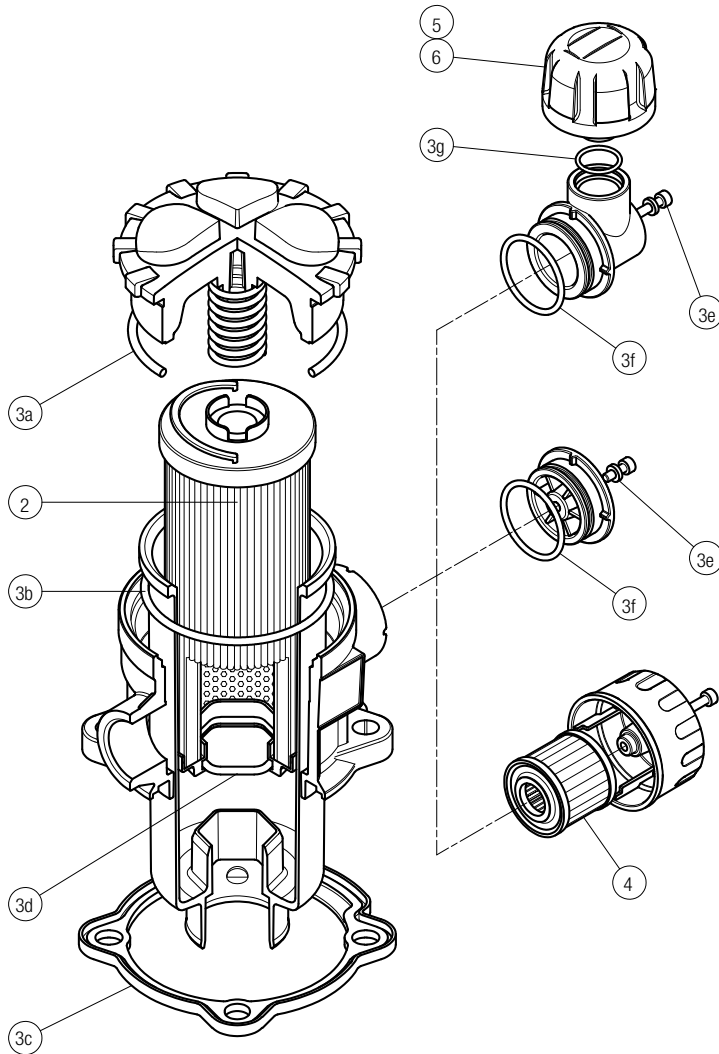
**MPTX 116**



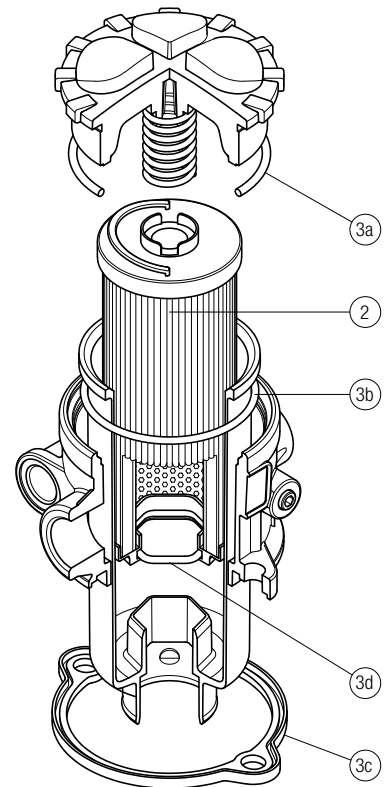
Item:	Q.ty: 1 pc.	Q.ty: 1 pc.	Q.ty: 1 pc.	Q.ty: 1 pc.	Q.ty: 1 pc.	
Filter series	Filter element	Seal Kit code number NBR	FPM	Air breather filter element - version:		
				C	D	P
<b>MPTX 025</b>	See order table	02050701	02050702	10 µm A3L03	10 µm SAP50G3L03A0P01	10 µm SAP50G3L03A1P01
<b>MPTX 027</b>		02050703	02050704	10 µm A3L03	10 µm SAP50G3L03A0P01	10 µm SAP50G3L03A1P01
<b>MPTX 110</b>		02050709	02050710	10 µm A5L03	10 µm SAP50G3L03A0P01	10 µm SAP50G3L03A1P01

Item:	Q.ty: 1 pc.	Q.ty: 1 pc.	
Filter series	Filter element	Seal Kit code number NBR	FPM
<b>MPTX 116</b>	See order table	02050737	02050738

**MPTX 114**



**MPTX 120**



Item:	Q.ty: 1 pc.	Q.ty: 1 pc.	Q.ty: 1 pc.	Q.ty: 1 pc.	Q.ty: 1 pc.	
Filter series	Filter element	Seal Kit code number		Air breather filter element - version:		
MPTX 114	See order table	NBR	FPM	C	D	P
		02050707	02050708	10 µm A5L03	10 µm SAP50G3L03A0P01	10 µm SAP50G3L03A1P01

Item:	Q.ty: 1 pc.	Q.ty: 1 pc.	
Filter series	Filter element	Seal Kit code number	
MPTX 120	See order table	NBR	FPM
		02050711	02050712



THE **X** CONCEPT FOR OUR FILTERS

Protect the performance of your system with MYclean.  
Quality and efficiency are fundamental for MP Filtri:  
this exclusive new filter element possesses polygon shape geometry and specific seal  
that ensures only original spare parts can be used - ensuring correct operation and  
higher system reliability.

MFBX series

with **MYCLEAN** MFX Filter Element



- **Protects the machine from improper use of non-original products.**
- **Safety of constant quality protection & reliability**

With exclusive filter element you are sure that only MP Filtri filter elements can be used, ensuring the best cleaning level of the oil due to the use of originals filter elements.



The products identified as MFBX are protected by:

- Italian Patent n° 102014902261205
- Canadian Patent n° 2,937,258
- European Patent n° 16181725.9
- US Patent n° 15/224,337

TOGETHER WITH **MYCLEAN**, AS OPTION, MFBX SERIES CAN BE PROVIDED WITH

**zerospark**<sup>®</sup>  
THE ANTI-STATIC FILTERS

THE **Z** CONCEPT FOR OUR FILTERS



Zerospark<sup>®</sup> is a specialist solution designed to solve the problem of electrostatic discharge inside hydraulic filters. Caused by the electrical charge build-up due to the passage of oil through the filters, this can result in damage to filter elements, oils and circuit components. It can even cause fire hazards in environments where flammable materials are present.



# MFBX series

BOWL ASSEMBLY

Maximum working pressure up to 800 kPa (8 bar) - Flow rate up to 700 l/min



## Description

## Technical data

### Return filter Bowl assembly

**Maximum working pressure up to 800 kPa (8 bar)**

**Flow rate up to 700 l/min**

MFBX is a range of return filter kits for protection of the reservoir against the system contamination.

They are directly integrated in the moulded reservoir in immersed or semi-immersed position to save space into the tank.

Treaded or flanged covers can be provided.

The filter output must be always immersed into the fluid to avoid aeration or foam generation into the reservoir.

#### Available features:

- Fine filtration rating, to get a good cleanliness level into the reservoir
- Bypass valve integrated into the filter element, to relieve excessive pressure drop across the filter media
- Extension tube, to be used in deep reservoirs (sold as separate item)
- Diffuser, to reduce the risk of aeration, foaming and noise (sold as separate item)
- MyClean interface connection, to protect the product against non-original spare parts
- External protective wrap, to optimize the flow through the element and to save the element efficiency against non-proper handling

#### Common applications:

Mobile machines

#### Bowl assembly materials

- Cover  
Polyamide: MFBX 020-030-100  
Aluminium: MFBX 180-190

- Bowl: Polyamide

#### Filter element materials

- Caps: Polyamide
- Spring: Spring steel

#### Bypass valve

- Opening pressure 175 kPa (1.75 bar)  $\pm 10\%$
- Opening pressure 300 kPa (3 bar)  $\pm 10\%$

#### $\Delta p$ element type

- Microfibre filter elements - series H: 10 bar
- Fluid flow through the filter element from OUT to IN

#### Seals

- Standard NBR series A
- Optional FPM series V

#### Temperature

From -25 °C to +110 °C

#### Note

MFBX filters are provided for vertical mounting

## Weights [kg] and volumes [dm<sup>3</sup>]

Filter series	Weights [kg]					Volumes [dm <sup>3</sup> ]				
	Length	1	2	3	4	Length	1	2	3	4
<b>MFBX 020</b>		0.25	0.35	0.40	-		0.10	0.15	0.20	-
<b>MFBX 030</b>		0.25	-	-	-		0.15	-	-	-
<b>MFBX 100</b>		0.50	0.60	0.75	0.95		0.35	0.50	0.80	1.10
<b>MFBX 180</b>		1.60	2.40	-	-		1.50	2.90	-	-
<b>MFBX 190</b>		-	2.40	-	-		-	3.00	-	-

Filter series	Length	Filter element design - H series					Filter element design - N series		
		A03	A06	A10	A16	A25	M25 M60 M90	P10	P25
<b>MFBX 020</b>	<b>1</b>	7	10	23	28	42	59	51	54
	<b>2</b>	17	20	45	48	56	72	64	67
	<b>3</b>	21	24	50	55	59	76	74	75
<b>MFBX 030</b>	<b>1</b>	7	10	24	29	47	84	60	66
<b>MFBX 100</b>	<b>1</b>	18	20	53	56	65	153	87	96
	<b>2</b>	28	38	65	75	95	158	111	123
	<b>3</b>	48	55	125	135	169	289	224	251
	<b>4</b>	79	89	180	185	198	306	264	289
<b>MFBX 180</b>	<b>1</b>	127	148	235	243	278	441	285	299
	<b>2</b>	231	262	358	382	388	472	404	412
<b>MFBX 190</b>	<b>2</b>	261	305	489	528	546	696	583	598

### Maximum flow rate for a complete return filter with a pressure drop $\Delta p = 0.5$ bar.

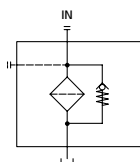
The reference fluid has a kinematic viscosity of 30 mm<sup>2</sup>/s (cSt) and a density of 0.86 kg/dm<sup>3</sup>.

For different pressure drop or fluid viscosity we recommend to use our selection software available on [www.mpfiltri.com](http://www.mpfiltri.com).

You can also calculate the right size using the formulas present on the FILTER SIZING paragraph at the beginning of the full catalogue or at the beginning of the filter family brochure. Please, contact our Sales Department for further additional information.

### Hydraulic symbols

Filter series	Style 1 connection
<b>MFBX 020</b>	•
<b>MFBX 030</b>	•
<b>MFBX 100</b>	•
<b>MFBX 180</b>	•
<b>MFBX 190</b>	•



## Designation & Ordering code

### COMPLETE FILTER

#### Series and size

**MFBX020** | **MFBX100** | **MFBX190** Filter featuring  
**MFBX030** | **MFBX180** **MYCLEAN** Filter Element

Configuration example 1: **MFBX100** | **1** | **A** | **2** | **A10** | **H** | **E** | **P01**

Configuration example 2: **MFBX180** | **2** | **V** | **1** | **M25** | **N** | **B** | **P01**

Length	MFBX020	MFBX030	MFBX100	MFBX180	MFBX190
1	•	•	•	•	-
2	•	-	•	•	•
3	•	-	•	-	-
4	-	-	•	-	-

#### Seals

**A** NBR  
**V** FPM

Version	MFBX020	MFBX030	MFBX100	MFBX180	MFBX190
1 Without cover	•	•	•	•	•
2 With flanged cover type MPF	-	•	•	•	•
3 With threaded cover type MPT	•	-	•	-	-

#### Filtration rating (filter media)

<b>A03</b> Inorganic microfiber 3 µm	<b>M25</b> Wire mesh 25 µm
<b>A06</b> Inorganic microfiber 6 µm	<b>M60</b> Wire mesh 60 µm
<b>A10</b> Inorganic microfiber 10 µm	<b>M90</b> Wire mesh 90 µm
<b>A16</b> Inorganic microfiber 16 µm	<b>P10</b> Resin impregnated paper 10 µm
<b>A25</b> Inorganic microfiber 25 µm	<b>P25</b> Resin impregnated paper 25 µm

Element Δp	Filter media		
	Axx	Mxx	Pxx
<b>N</b> 10 bar	-	•	•
<b>H</b> 10 bar	•	-	-

Bypass valve	Executions		
	Base	zérospark*	
<b>E</b> 3 bar	<b>P01</b>	<b>Z01</b>	MP Filtri standard
<b>B</b> 1.75 bar	<b>Pxx</b>	<b>Zxx</b>	Customized

### FILTER ELEMENT

#### Element series and size

**MFXX020** | **MFXX100** Filter Element with **MYCLEAN** feature  
**MFXX030** | **MFXX180**

Configuration example 1: **MFXX180** | **2** | **M25** | **H** | **V** | **P01**

Configuration example 2: **MFXX100** | **1** | **A10** | **N** | **B** | **E** | **P01**

Element length	MFXX020	MFXX030	MFXX100	MFXX180	MFXX190
1	•	•	•	•	-
2	•	-	•	•	•
3	•	-	•	-	-
4	-	-	•	-	-

#### Filtration rating (filter media)

<b>A03</b> Inorganic microfiber 3 µm	<b>M25</b> Wire mesh 25 µm
<b>A06</b> Inorganic microfiber 6 µm	<b>M60</b> Wire mesh 60 µm
<b>A10</b> Inorganic microfiber 10 µm	<b>M90</b> Wire mesh 90 µm
<b>A16</b> Inorganic microfiber 16 µm	<b>P10</b> Resin impregnated paper 10 µm
<b>A25</b> Inorganic microfiber 25 µm	<b>P25</b> Resin impregnated paper 25 µm

Element Δp	Filter media		
	Axx	Mxx	Pxx
<b>N</b> 10 bar	-	•	•
<b>H</b> 10 bar	•	-	-

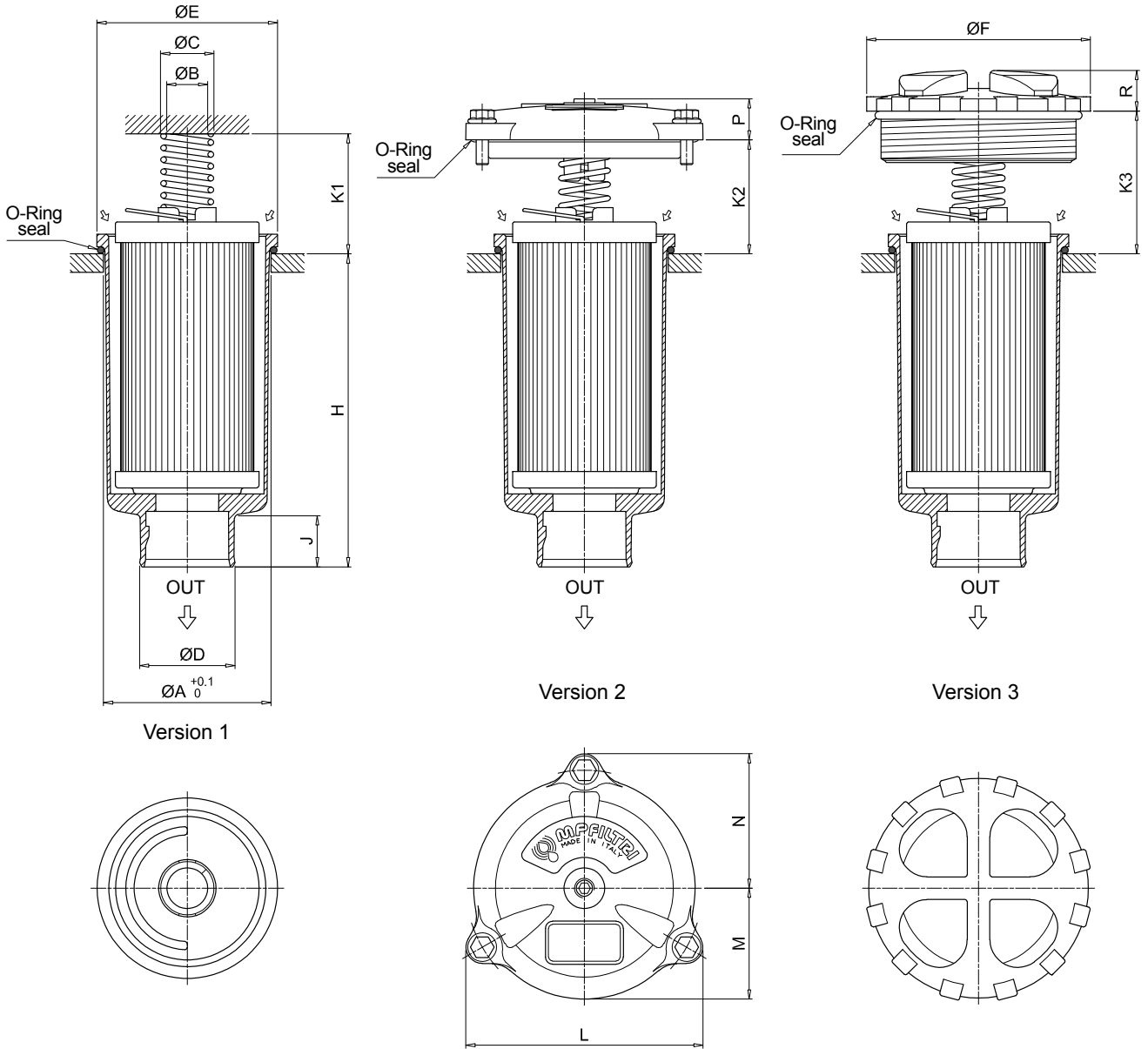
Seals	Bypass valve	Executions		
		Base	zérospark*	
<b>B</b> NBR	<b>E</b> 3 bar	<b>P01</b>	<b>Z01</b>	MP Filtri standard
<b>V</b> FPM	- 1.75 bar	<b>Pxx</b>	<b>Zxx</b>	Customized

### ACCESSORIES

See page 262

	MFBX020	MFBX030	MFBX100	MFBX180	MFBX190
<b>TE</b> Extension tube	•	•	•	•	•
<b>DFS</b> Diffuser with fast lock connection	-	-	•	-	-

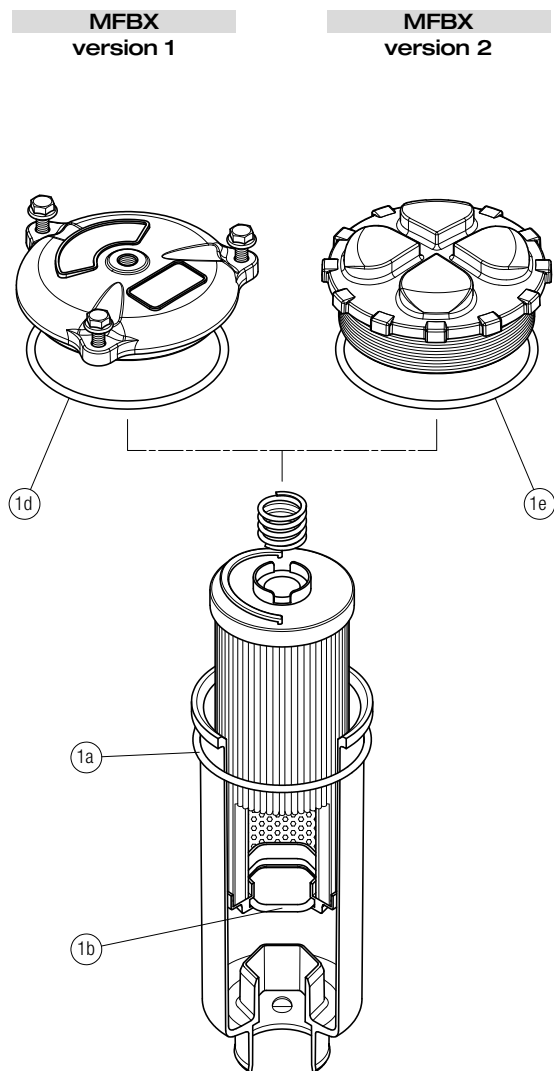
MFBX



Filter size	Filter Length	ø A [mm]	ø B [mm]	ø C [mm]	ø D [mm]	ø E [mm]	ø F [mm]	H [mm]	J [mm]	K1 [mm]	K2 [mm]	K3 [mm]	L [mm]	M [mm]	N [mm]	P [mm]	R [mm]
<b>020</b>	1	52	20.5	26	32	56	75	111	24	42	-	36	-	-	-	-	18
	2	52	20.5	26	32	56	75	175	24	42	-	36	-	-	-	-	18
	3	52	20.5	26	32	56	75	214	24	42	-	36	-	-	-	-	18
<b>030</b>	1	60.5	20	25.5	32	68	-	93	21	33	35	-	92	42	52	18	-
	2	80.5	20	26	47	88	111	109	24	58	55	69	116	54	66	20	20
<b>100</b>	1	80.5	20	26	47	88	111	154	24	58	55	69	116	54	66	20	20
	2	80.5	20	26	47	88	111	232	24	58	55	69	116	54	66	20	20
	3	80.5	20	26	47	88	111	334	24	58	55	69	116	54	66	20	20
<b>180</b>	1	112.5	26	33.5	47	121	-	234	31	58	69	-	159	76	95	21	-
	2	112.5	26	33.5	47	121	-	447	31	58	69	-	159	76	95	21	-
<b>190</b>	2	112.5	26	33.5	50	121	-	454	38	58	69	-	159	76	95	21	-

# MFBX SPARE PARTS

Order number for spare parts



Item: <b>1</b> (1a ÷ 1d) <span style="float: right;">Q.ty: 1 pc.</span>		
Filter series	Seal Kit code number	
	NBR	FPM
<b>MFBX 020</b>	02050713	02050714
<b>MFBX 030</b>	02050715	02050716
<b>MFBX 100</b>	02050717	02050718
<b>MFBX 180-190</b>	02050719	02050720







# MPF series

Maximum working pressure up to 800 kPa (8 bar) - Flow rate up to 900 l/min



## Description

## Technical data

### Return filter

**Maximum working pressure up to 800 kPa (8 bar)**

**Flow rate up to 900 l/min**

MPF is a range of return filters for protection of the reservoir against the system contamination.

They are directly fixed to the reservoir, in immersed or semi-immersed position.

The filter output must be always immersed into the fluid to avoid aeration or foam generation into the reservoir.

### Available features:

- Female threaded connections up to 2" and flanged connections up to 2", for a maximum flow rate of 900 l/min
- Multiple connections, to connect several return lines or drains
- Fine filtration rating, to get a good cleanliness level into the reservoir
- Bypass valve integrated into the filter element, to relieve excessive pressure drop across the filter media
- 2, 3 or 4 fixing holes for installation, to suit a variety of reservoir surfaces
- O-ring or Flat Seal to suit a variety of reservoir surfaces
- Oil dipstick, to easily check the level of the fluid into the reservoir (sold as separate item)
- Extension tube, to be used in deep reservoirs (sold as separate item)
- Diffuser, to reduce the risk of aeration, foaming and noise (sold as separate item)
- Filler plug, to fill cleaned fluid into the tank without an additional connection
- Visual, electrical and electronic clogging indicators

### Common applications:

- Light industrial equipment
- Mobile application

### Filter housing materials

- Head: Aluminium
- Cover  
Polyamide: MPF 020-030-100-104-110  
Aluminium: MPF 181-182-184-191-192-194-400-410-450-451-750
- Bowl: Polyamide

### Bypass valve

- Opening pressure 175 kPa (1.75 bar)  $\pm 10\%$
- Opening pressure 300 kPa (3 bar)  $\pm 10\%$

### $\Delta p$ element type

- Microfibre filter elements - series H: 10 bar
- Fluid flow through the filter element from OUT to IN

### Seals

- Standard NBR series A
- Optional FPM series V

### Temperature

From -25 °C to +110 °C

### Note

MPF filters are provided for vertical mounting

## Weights [kg] and volumes [dm<sup>3</sup>]

Filter series	Weights [kg]				Volumes [dm <sup>3</sup> ]					
	Length	1	2	3	4	Length	1	2	3	4
<b>MPF 020</b>		0.30	-	-	-		0.26	-	-	-
<b>MPF 030</b>		0.40	-	-	-		0.29	-	-	-
<b>MPF 100</b>		0.61	0.64	0.67	0.74		0.64	0.85	1.20	1.65
<b>MPF 104</b>		0.82	0.96	1.02	1.25		0.64	0.85	1.20	1.65
<b>MPF 110</b>		0.64	0.68	0.71	0.78		-	-	-	-
<b>MPF 181</b>		2.20	3.00	-	-		2.50	4.00	-	-
<b>MPF 182</b>		2.30	3.10	-	-		2.50	4.00	-	-
<b>MPF 184</b>		2.55	3.45	-	-		2.65	4.45	-	-
<b>MPF 191</b>		-	3.00	-	-		-	4.25	-	-
<b>MPF 192</b>		-	3.10	-	-		-	4.25	-	-
<b>MPF 194</b>		-	3.45	-	-		-	4.45	-	-
<b>MPF 400</b>		3.35	3.65	3.90	-		3.70	4.60	5.40	-
<b>MPF 410</b>		3.55	3.85	4.10	-		3.70	4.60	5.40	-
<b>MPF 450-451</b>		3.95	4.25	4.50	-		3.70	4.60	5.40	-
<b>MPF 750</b>		6.30	-	-	-		8.45	-	-	-

Filter series	Length	Filter element design - H series					Filter element design - N series		
		A03	A06	A10	A16	A25	M25 M60 M90	P10	P25
<b>MPF 020</b>	<b>1</b>	7	10	23	28	42	59	51	54
<b>MPF 030</b>	<b>1</b>	7	10	24	29	47	84	60	66
<b>MPF 100-104-110</b>	<b>1</b>	18	20	53	56	65	153	87	96
	<b>2</b>	28	38	65	75	95	158	111	123
	<b>3</b>	48	55	125	135	169	289	224	251
	<b>4</b>	79	89	180	185	198	306	264	289
<b>MPF 181-182-184</b>	<b>1</b>	127	148	235	243	278	441	285	299
	<b>2</b>	231	262	358	382	388	472	404	412
<b>MPF 191-192-194</b>	<b>2</b>	261	305	489	528	546	696	583	598
<b>MPF 400</b>	<b>1</b>	150	171	294	304	350	585	370	390
	<b>2</b>	237	252	454	462	589	868	619	645
	<b>3</b>	248	288	553	609	621	885	680	703
<b>MPF 410</b>	<b>1</b>	146	167	277	285	325	512	341	357
	<b>2</b>	226	239	396	402	485	644	503	519
	<b>3</b>	236	269	462	497	505	653	539	553
<b>MPF 450-451</b>	<b>1</b>	150	171	294	304	350	585	370	390
	<b>2</b>	237	252	454	462	589	868	619	645
	<b>3</b>	248	288	553	609	621	885	680	703
<b>MPF 750</b>	<b>1</b>	392	465	623	700	769	929	804	819

### Maximum flow rate for a complete return filter with a pressure drop $\Delta p = 0.5$ bar.

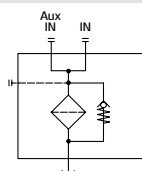
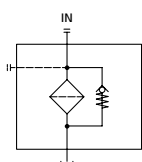
The reference fluid has a kinematic viscosity of 30 mm<sup>2</sup>/s (cSt) and a density of 0.86 kg/dm<sup>3</sup>.

For different pressure drop or fluid viscosity we recommend to use our selection software available on [www.mpfiltri.com](http://www.mpfiltri.com).

You can also calculate the right size using the formulas present on the FILTER SIZING paragraph at the beginning of the full catalogue or at the beginning of the filter family brochure. Please, contact our Sales Department for further additional information.

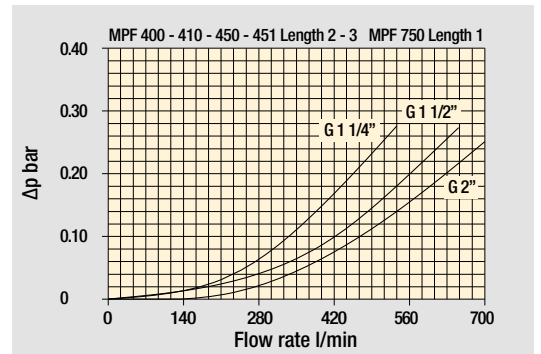
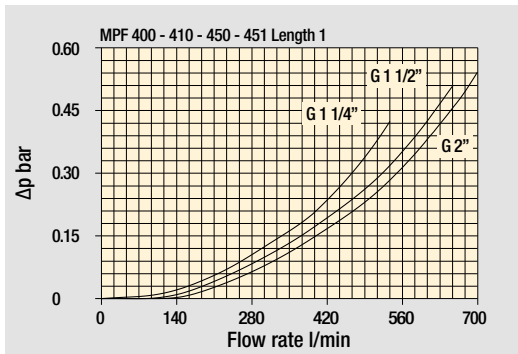
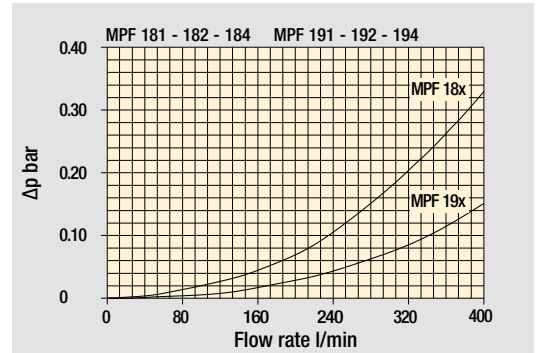
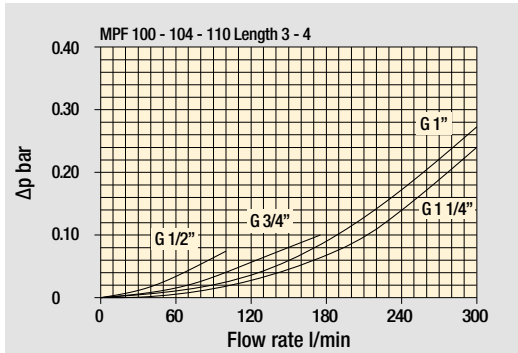
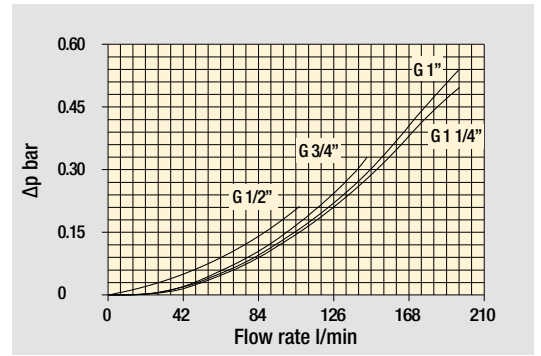
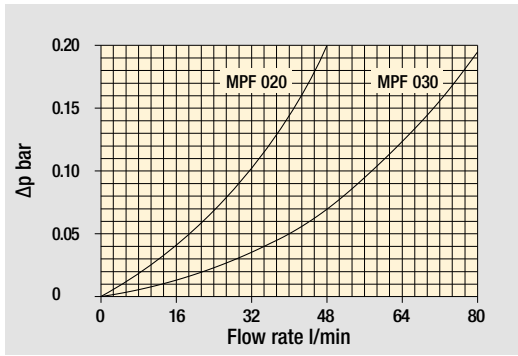
## Hydraulic symbols

Filter series	Style 1 connection	Style 2 connections
<b>MPF 020</b>	•	-
<b>MPF 030</b>	•	-
<b>MPF 100</b>	•	-
<b>MPF 104</b>	•	-
<b>MPF 110</b>		•
<b>MPF 181</b>	•	-
<b>MPF 182</b>		•
<b>MPF 184</b>	•	•
<b>MPF 191</b>	•	-
<b>MPF 192</b>	•	-
<b>MPF 194</b>	•	•
<b>MPF 400</b>	•	-
<b>MPF 410</b>		•
<b>MPF 450</b>	•	-
<b>MPF 451</b>		•
<b>MPF 750</b>	•	-

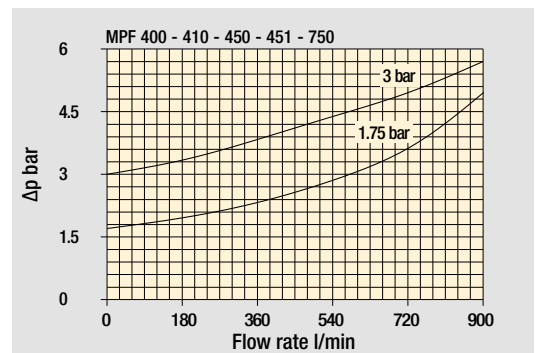
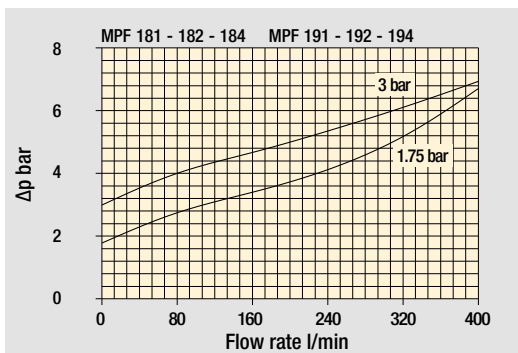
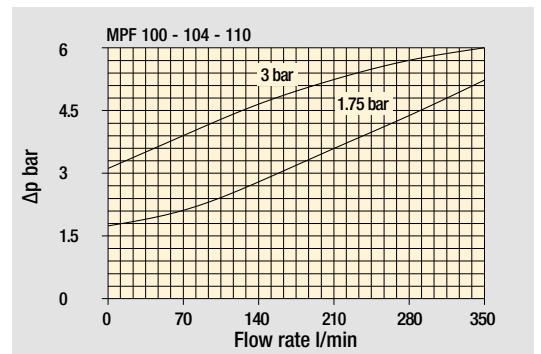
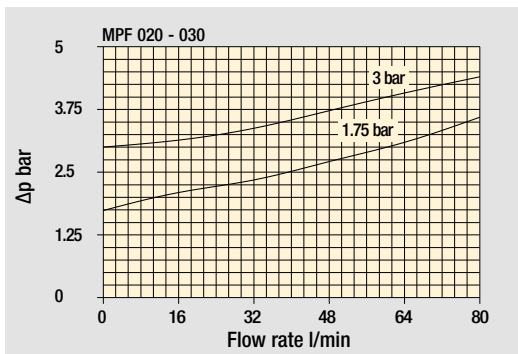


## Pressure drop

### Filter housings $\Delta p$ pressure drop



### Bypass valve pressure drop

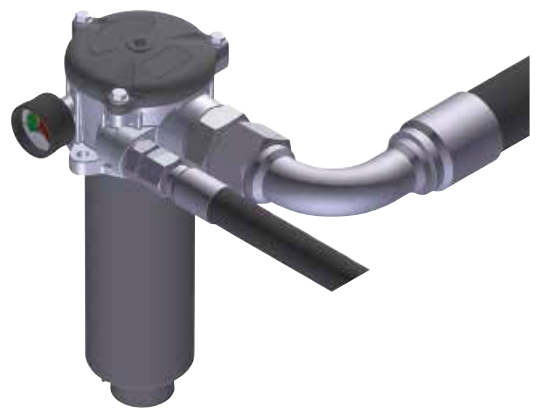


The curves are plotted using mineral oil with density of 0.86 kg/dm<sup>3</sup> in compliance with ISO 3968.  $\Delta p$  varies proportionally with density.

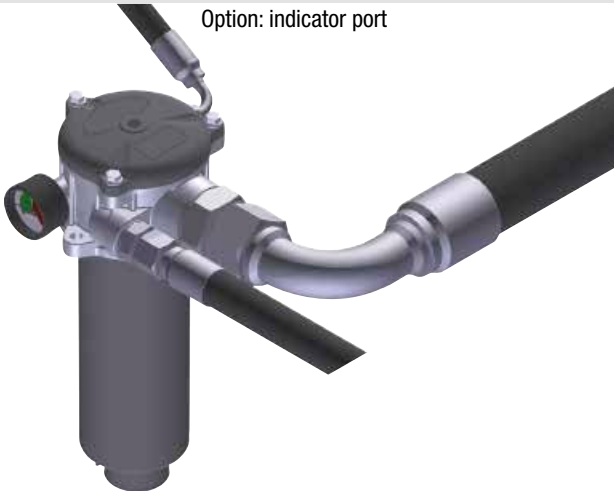
Standard - Single IN port



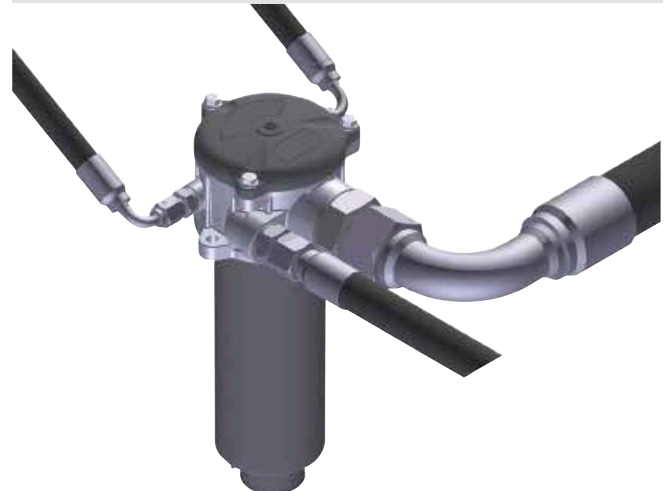
Double IN port  
Option: double indicator port



Double IN port - Drain port  
Option: indicator port



Double IN port - Double drain port



# MPF MPF020 - MPF030

## Designation & Ordering code

### COMPLETE FILTER

<b>Series and size</b>	Configuration example 1:	<b>MPF020</b>	<b>1</b>	<b>A</b>	<b>P1</b>	<b>A10</b>	<b>H</b>	<b>E</b>	<b>P01</b>
<b>MPF020 MPF030</b> Filter element with standard spigot	Configuration example 2:	<b>MPF030</b>	<b>1</b>	<b>V</b>	<b>G1</b>	<b>M25</b>	<b>N</b>	<b>B</b>	<b>P01</b>

<b>Length</b>	
<b>1</b>	

<b>Seals and treatments</b>	
<b>A</b> NBR	
<b>V</b> FPM	
<b>W</b> NBR head anodized	
<b>Z</b> FPM head anodized	

<b>Connections</b>	<b>Size 20</b>	<b>Size 30</b>
<b>P1</b> Hose barb ø12	•	-
<b>G1</b> G 1/2"	-	•
<b>G4</b> 1/2" NPT	-	•
<b>G7</b> SAE 8 - 3/4" - 16 UNF	-	•

<b>Filtration rating (filter media)</b>	
<b>A03</b> Inorganic microfiber 3 µm	<b>M25</b> Wire mesh 25 µm
<b>A06</b> Inorganic microfiber 6 µm	<b>M60</b> Wire mesh 60 µm
<b>A10</b> Inorganic microfiber 10 µm	<b>M90</b> Wire mesh 90 µm
<b>A16</b> Inorganic microfiber 16 µm	<b>P10</b> Resin impregnated paper 10 µm
<b>A25</b> Inorganic microfiber 25 µm	<b>P25</b> Resin impregnated paper 25 µm

All filter media except M60, P10 and P25 are compatible with fluids HFA, HFB and HFC

		<b>Filter media</b>		
<b>Element Δp</b>		<b>Axx</b>	<b>Mxx</b>	<b>Pxx</b>
<b>N</b> 10 bar		-	•	•
<b>H</b> 10 bar		•	-	-

<b>Bypass valve</b>	<b>Execution</b>
<b>E</b> 3 bar	<b>P01</b> MP Filtri standard
<b>B</b> 1.75 bar	<b>Pxx</b> Customized

### FILTER ELEMENT

<b>Element series and size</b>	Configuration example 1:	<b>MF030</b>	<b>1</b>	<b>A10</b>	<b>H</b>	<b>B</b>	<b>E</b>	<b>P01</b>
<b>MF030</b> Filter element with standard spigot	Configuration example 2:	<b>MF030</b>	<b>1</b>	<b>M25</b>	<b>N</b>	<b>V</b>		<b>P01</b>

<b>Element length</b>	
<b>1</b>	

<b>Filtration rating (filter media)</b>	
<b>A03</b> Inorganic microfiber 3 µm	<b>M25</b> Wire mesh 25 µm
<b>A06</b> Inorganic microfiber 6 µm	<b>M60</b> Wire mesh 60 µm
<b>A10</b> Inorganic microfiber 10 µm	<b>M90</b> Wire mesh 90 µm
<b>A16</b> Inorganic microfiber 16 µm	<b>P10</b> Resin impregnated paper 10 µm
<b>A25</b> Inorganic microfiber 25 µm	<b>P25</b> Resin impregnated paper 25 µm

		<b>Filter media</b>		
<b>Element Δp</b>		<b>Axx</b>	<b>Mxx</b>	<b>Pxx</b>
<b>N</b> 10 bar		-	•	•
<b>H</b> 10 bar		•	-	-

<b>Seals</b>	<b>Bypass valve</b>	<b>Execution</b>
<b>B</b> NBR	<b>E</b> 3 bar	<b>P01</b> MP Filtri standard
<b>V</b> FPM	- 1.75 bar	<b>Pxx</b> Customized

### CLOGGING INDICATORS

See page 680-681

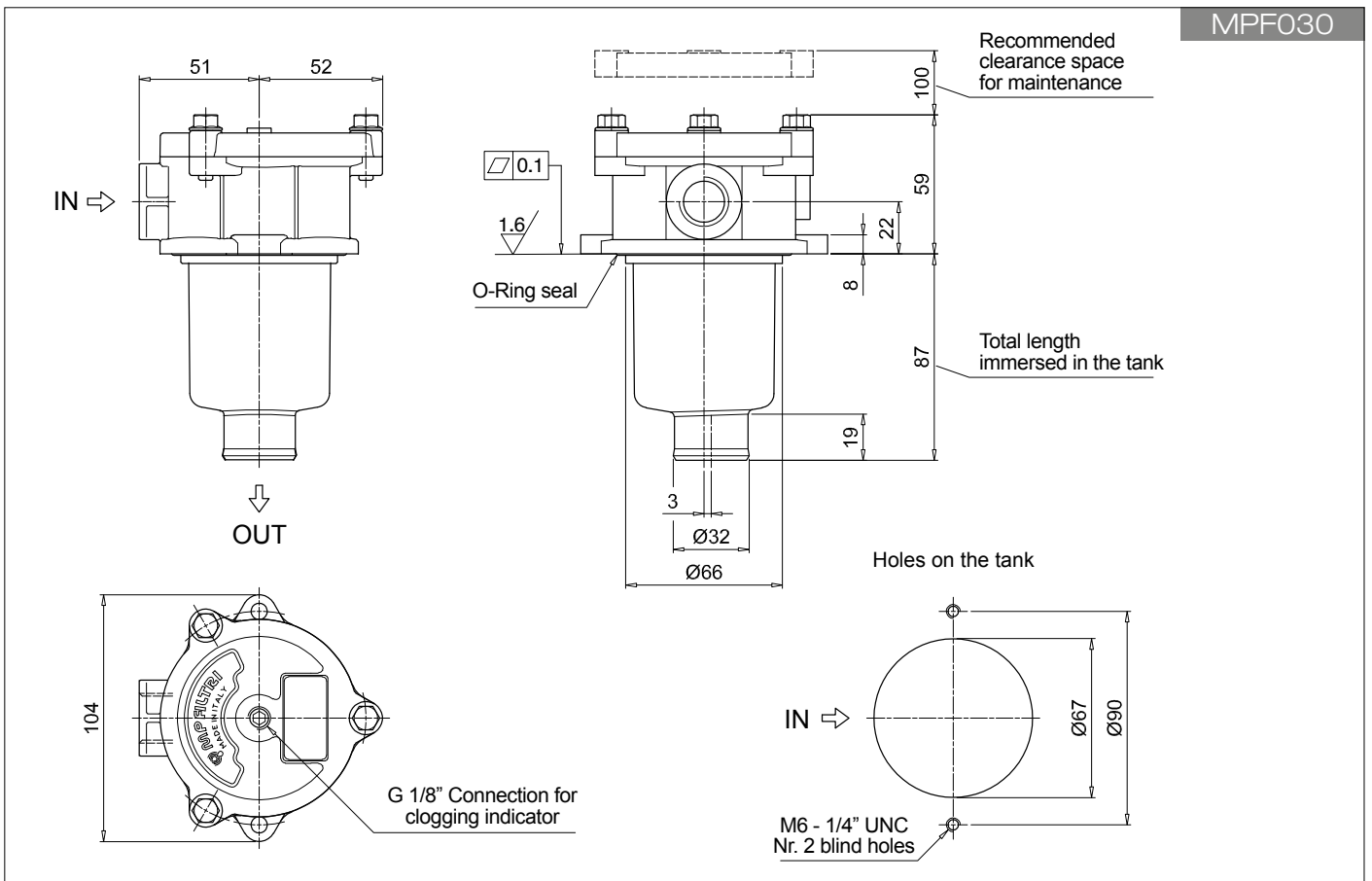
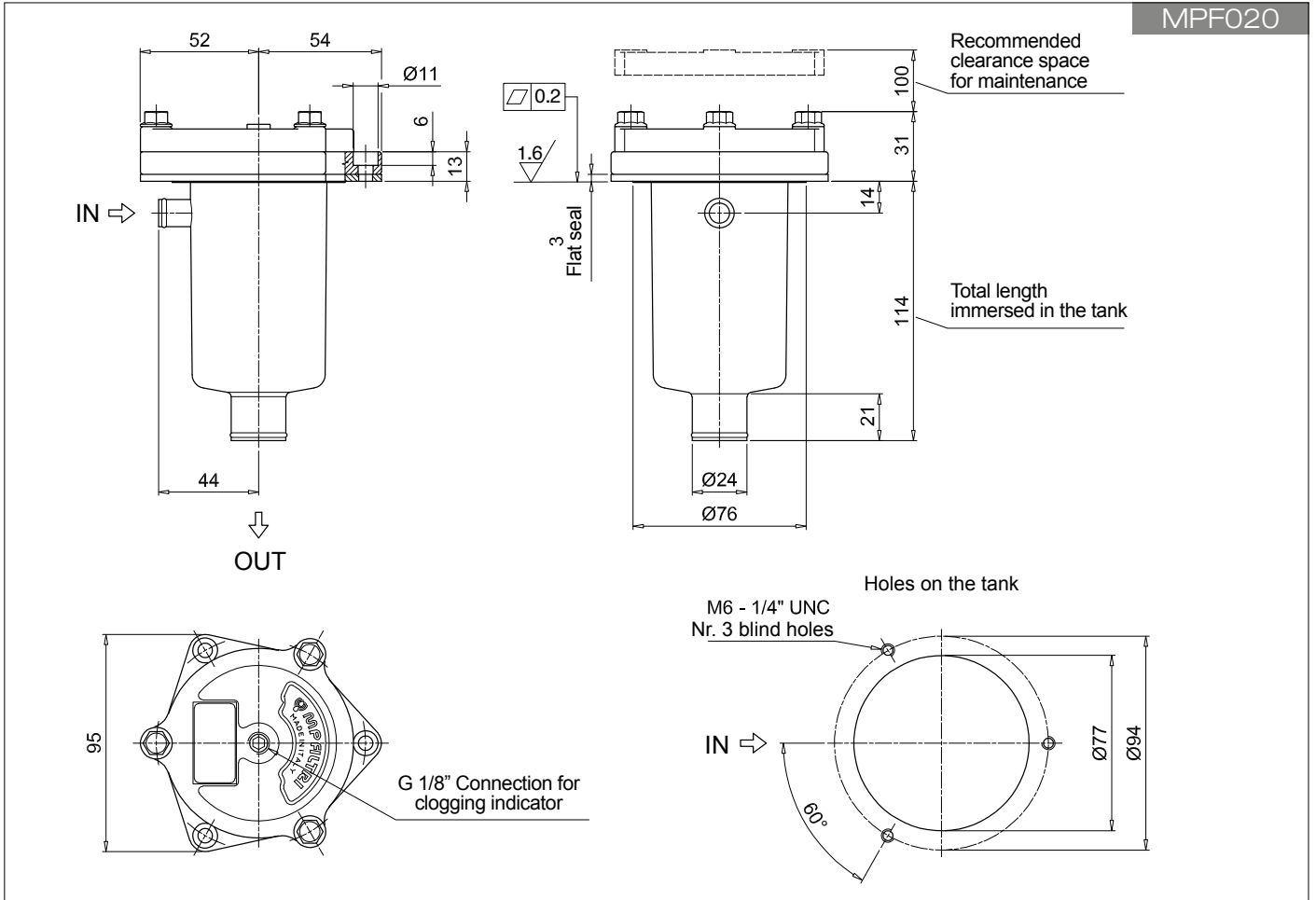
<b>BVA</b> Axial pressure gauge
<b>BVR</b> Radial pressure gauge
<b>BVP</b> Visual pressure indicator with automatic reset
<b>BVQ</b> Visual pressure indicator with manual reset

<b>BEA</b> Electrical pressure indicator
<b>BEM</b> Electrical pressure indicator
<b>BLA</b> Electrical / visual pressure indicator

### ADDITIONAL FEATURES

See page 262

<b>TE</b> Extension tube
<b>T5</b> Filler plug M30x1.5



# MPF MPF100 - MPF104

## Designation & Ordering code

### COMPLETE FILTER

<b>Series and size</b>	Configuration example 1:	MPF100	2	W	G3	A06	H	B	P01
<b>MPF100   MPF104</b> Filter element with standard spigot	Configuration example 2:	MPF104	4	A	G8	P10	N	E	P01

<b>Length</b>	1	2	3	4
---------------	---	---	---	---

<b>Seals and treatments</b>	
<b>A</b> NBR	
<b>V</b> FPM	
<b>W</b> NBR head anodized	
<b>Z</b> FPM head anodized	

Connections	Size 100	Size 104	Connections	Size 100	Size 104
<b>G1</b> G 1/2"	•	•	<b>G7</b> SAE 8 - 3/4" - 16 UNF	•	•
<b>G2</b> G 3/4"	•	•	<b>G8</b> SAE 12 - 1 1/16" - 12 UN	•	•
<b>G3</b> G 1"	•	•	<b>G9</b> SAE 16 - 1 5/16" - 12 UN	•	•
<b>G4</b> 1/2" NPT	•	•			
<b>G5</b> 3/4" NPT	•	•			
<b>G6</b> 1" NPT	•	•			

<b>Filtration rating (filter media)</b>	
<b>A03</b> Inorganic microfiber 3 µm	<b>M25</b> Wire mesh 25 µm
<b>A06</b> Inorganic microfiber 6 µm	<b>M60</b> Wire mesh 60 µm
<b>A10</b> Inorganic microfiber 10 µm	<b>M90</b> Wire mesh 90 µm
<b>A16</b> Inorganic microfiber 16 µm	<b>P10</b> Resin impregnated paper 10 µm
<b>A25</b> Inorganic microfiber 25 µm	<b>P25</b> Resin impregnated paper 25 µm

All filter media except M60, P10 and P25 are compatible with fluids HFA, HFB and HFC

<b>Element Δp</b>		<b>Filter media</b>			<b>Bypass valve</b>	<b>Execution</b>
<b>N</b> 10 bar		Axx	Mxx	Pxx	<b>E</b> 3 bar	<b>P01</b> MP Filtri standard
<b>H</b> 10 bar		•	-	-	<b>B</b> 1.75 bar	<b>Pxx</b> Customized

### FILTER ELEMENT

<b>Element series and size</b>	Configuration example 1:	MF100	2	A06	H	B	P01	
<b>MF100</b> Filter element with standard spigot	Configuration example 2:	MF100	4	P10	N	B	E	P01

<b>Element length</b>	1	2	3	4
-----------------------	---	---	---	---

<b>Filtration rating (filter media)</b>	
<b>A03</b> Inorganic microfiber 3 µm	<b>M25</b> Wire mesh 25 µm
<b>A06</b> Inorganic microfiber 6 µm	<b>M60</b> Wire mesh 60 µm
<b>A10</b> Inorganic microfiber 10 µm	<b>M90</b> Wire mesh 90 µm
<b>A16</b> Inorganic microfiber 16 µm	<b>P10</b> Resin impregnated paper 10 µm
<b>A25</b> Inorganic microfiber 25 µm	<b>P25</b> Resin impregnated paper 25 µm

<b>Element Δp</b>		<b>Filter media</b>			<b>Seals</b>	<b>Bypass valve</b>	<b>Execution</b>
<b>N</b> 10 bar		Axx	Mxx	Pxx	<b>B</b> NBR	<b>E</b> 3 bar	<b>P01</b> MP Filtri standard
<b>H</b> 10 bar		•	-	-	<b>V</b> FPM	- 1.75 bar	<b>Pxx</b> Customized

### CLOGGING INDICATORS

See page 680-681

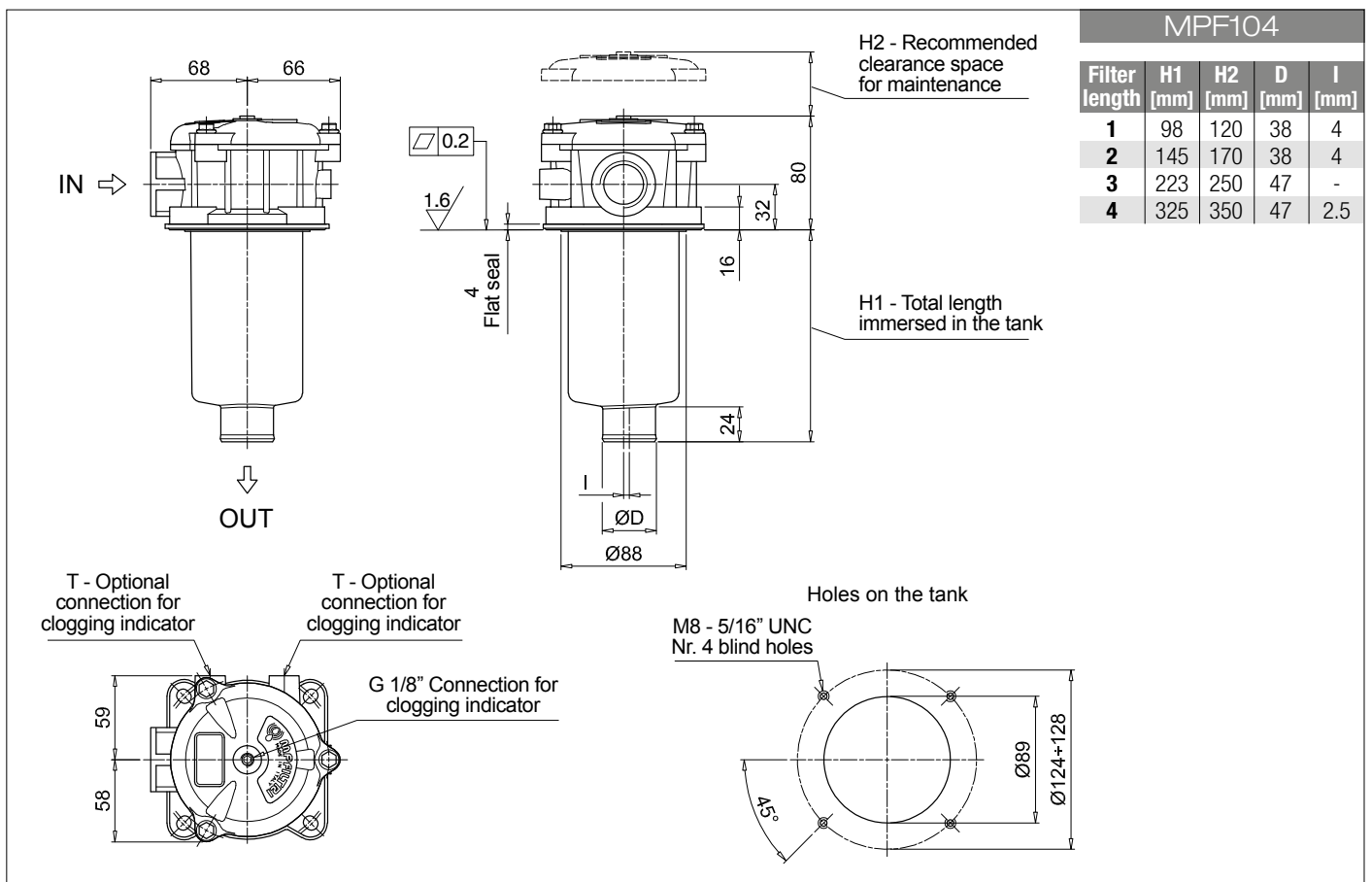
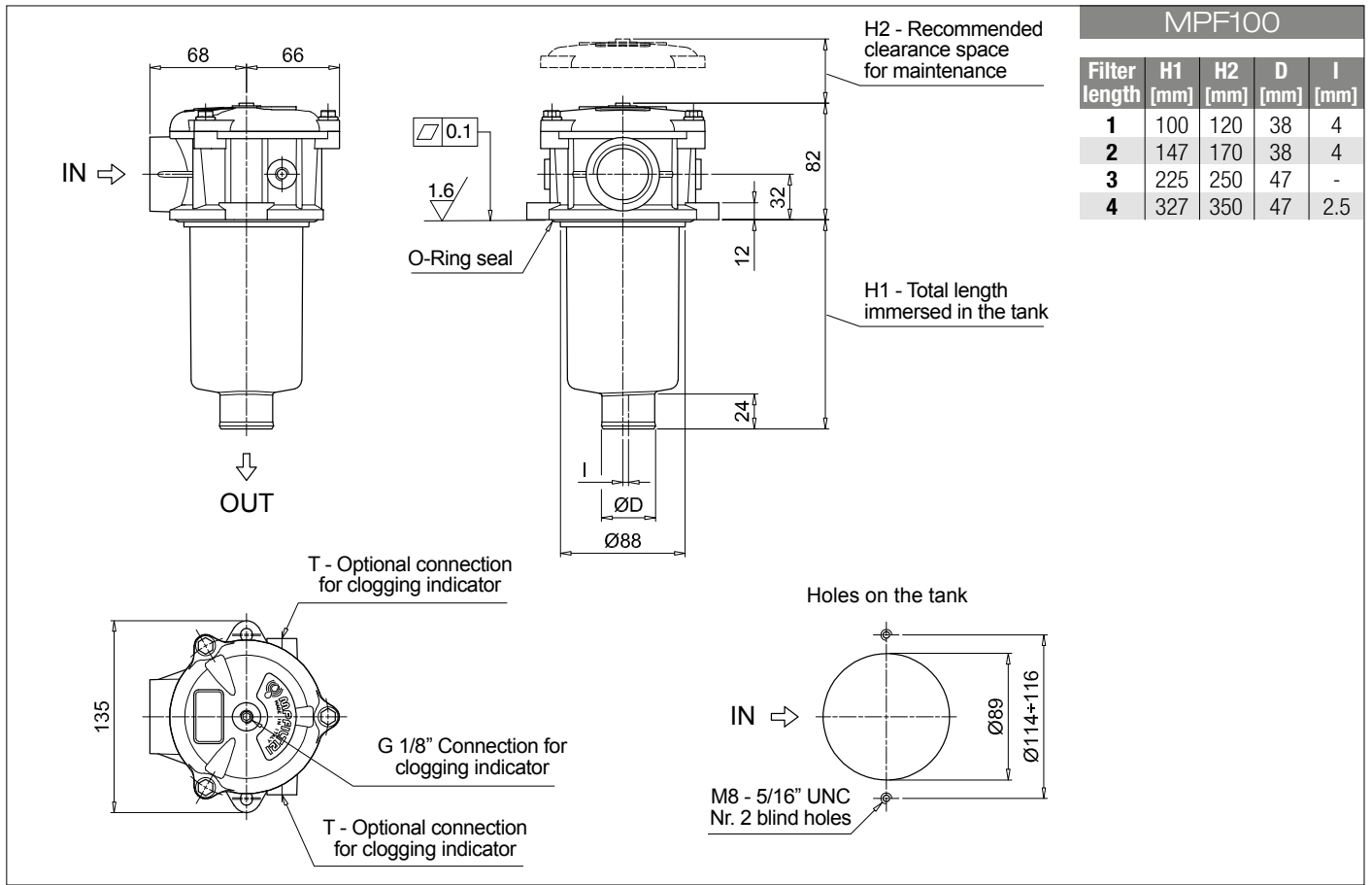
<b>BVA</b> Axial pressure gauge	<b>BEA</b> Electrical pressure indicator
<b>BVR</b> Radial pressure gauge	<b>BEM</b> Electrical pressure indicator
<b>BVP</b> Visual pressure indicator with automatic reset	<b>BLA</b> Electrical / visual pressure indicator
<b>BVQ</b> Visual pressure indicator with manual reset	

### ADDITIONAL FEATURES

See page 262

<b>TE</b> Extension tube	<b>T5</b> Filler plug M30x1.5
<b>DFS</b> Diffuser with fast lock connection	<b>DPT</b> Dipstick





## Designation & Ordering code

### COMPLETE FILTER

<b>Series and size</b> <b>MPF110</b> Filter element with standard spigot	Configuration example 1:	MPF110	2	A	G2	1	A16	H	E	P01
	Configuration example 2:	MPF110	4	V	G12	1	M60	N	B	P01

<b>Length</b>	1	2	3	4
---------------	---	---	---	---

<b>Seals and treatments</b>	<b>A</b> NBR	<b>W</b> NBR head anodized
	<b>V</b> FPM	<b>Z</b> FPM head anodized

Main Connections	Aux size 1	Aux size 2	Main Connections	Aux size 1	Aux size 2
<b>G1</b> G 1/2"	G 3/8"	G 1/2"	<b>G7</b> SAE 8 - 3/4" - 16 UNF	SAE 6 - 9/16" - 18 UNF	SAE 8 - 3/4" - 16 UNF
<b>G2</b> G 3/4"			<b>G8</b> SAE 12 - 1 1/16" - 12 UN		
<b>G3</b> G 1"	3/8" NPT	1/2" NPT	<b>G9</b> SAE 16 - 1 5/16" - 12 UN	G 3/8"	G 1/2"
<b>G4</b> 1/2" NPT			<b>G10</b> G 1 1/4"		
<b>G5</b> 3/4" NPT			<b>G11</b> 1 1/4" NPT		
<b>G6</b> 1" NPT			<b>G12</b> SAE 20 - 1 5/8" - 12 UN	SAE 6 - 9/16" - 18 UNF	SAE 8 - 3/4" - 16 UNF

<b>Aux connection</b> - see previous table	<b>1</b> Aux size 1	<b>2</b> Aux size 2
--	---------------------	---------------------

<b>Filtration rating (filter media)</b>	<b>A03</b> Inorganic microfiber 3 µm	<b>M25</b> Wire mesh 25 µm
	<b>A06</b> Inorganic microfiber 6 µm	<b>M60</b> Wire mesh 60 µm
	<b>A10</b> Inorganic microfiber 10 µm	<b>M90</b> Wire mesh 90 µm
	<b>A16</b> Inorganic microfiber 16 µm	<b>P10</b> Resin impregnated paper 10 µm
	<b>A25</b> Inorganic microfiber 25 µm	<b>P25</b> Resin impregnated paper 25 µm

All filter media except M60, P10 and P25 are compatible with fluids HFA, HFB and HFC

<b>Element Δp</b>	<b>N</b> 10 bar	<b>H</b> 10 bar	
<b>Filter media</b>	<b>Axx</b>	<b>Mxx</b>	<b>Pxx</b>
	-	•	•
	•	-	-

<b>Bypass valve</b>	<b>E</b> 3 bar	<b>B</b> 1.75 bar
<b>Execution</b>	<b>P01</b> MP Filtri standard	<b>Pxx</b> Customized

### FILTER ELEMENT

<b>Element series and size</b> <b>MF100</b> Filter element with standard spigot	Configuration example 1:	MF100	2	A16	H	B	E	P01
	Configuration example 2:	MF100	4	M60	N	V		P01

<b>Element length</b>	1	2	3	4
-----------------------	---	---	---	---

<b>Filtration rating (filter media)</b>	<b>A03</b> Inorganic microfiber 3 µm	<b>M25</b> Wire mesh 25 µm
	<b>A06</b> Inorganic microfiber 6 µm	<b>M60</b> Wire mesh 60 µm
	<b>A10</b> Inorganic microfiber 10 µm	<b>M90</b> Wire mesh 90 µm
	<b>A16</b> Inorganic microfiber 16 µm	<b>P10</b> Resin impregnated paper 10 µm
	<b>A25</b> Inorganic microfiber 25 µm	<b>P25</b> Resin impregnated paper 25 µm

<b>Element Δp</b>	<b>N</b> 10 bar	<b>H</b> 10 bar	
<b>Filter media</b>	<b>Axx</b>	<b>Mxx</b>	<b>Pxx</b>
	-	•	•
	•	-	-

<b>Seals</b>	<b>B</b> NBR	<b>V</b> FPM
<b>Bypass valve</b>	<b>E</b> 3 bar	- 1.75 bar
<b>Execution</b>	<b>P01</b> MP Filtri standard	<b>Pxx</b> Customized

### CLOGGING INDICATORS

See page 680-681

<b>BVA</b> Axial pressure gauge	<b>BEA</b> Electrical pressure indicator
<b>BVR</b> Radial pressure gauge	<b>BEM</b> Electrical pressure indicator
<b>BVP</b> Visual pressure indicator with automatic reset	<b>BLA</b> Electrical / visual pressure indicator
<b>BVQ</b> Visual pressure indicator with manual reset	

### ADDITIONAL FEATURES

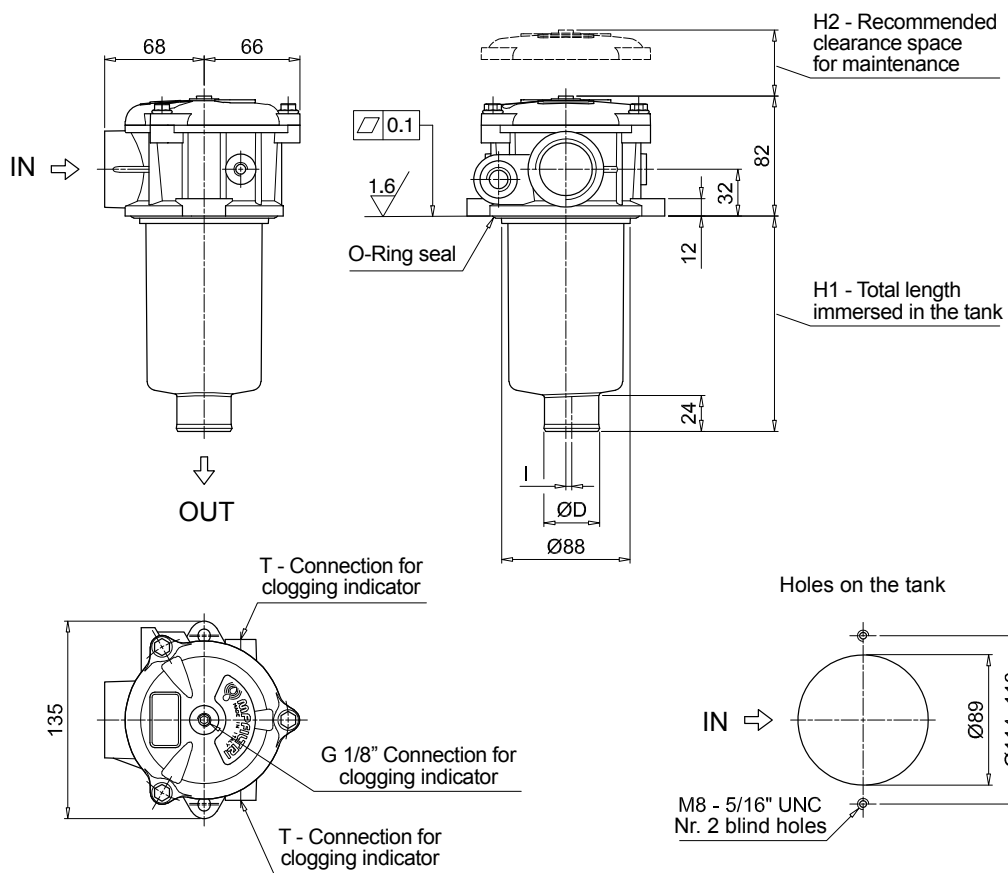
See page 262

<b>TE</b> Extension tube	<b>T5</b> Filler plug M30x1.5
<b>DFS</b> Diffuser with fast lock connection	<b>DPT</b> Dipstick

MPF110				
Filter length	H1 [mm]	H2 [mm]	D [mm]	I [mm]
<b>1</b>	100	120	38	4
<b>2</b>	147	170	38	4
<b>3</b>	225	250	47	-
<b>4</b>	327	350	47	2.5

Connections	T
<b>G1-G2-G3</b>	G 1/8"
<b>G4-G5-G6-G7-G8-G9</b>	1/8" NPT
<b>G10</b>	G 1/8"
<b>G11-G12</b>	1/8" NPT



# MPF MPF181 - MPF191

## Designation & Ordering code

### COMPLETE FILTER

<b>Series and size</b>			Configuration example 1: <b>MPF181</b>   <b>1</b>   <b>A</b>   <b>G1</b>   <b>A25</b>   <b>H</b>   <b>E</b>   <b>P01</b>								
<b>MPF181</b>   <b>MPF191</b> Filter element with standard spigot			Configuration example 2: <b>MPF191</b>   <b>2</b>   <b>V</b>   <b>G2</b>   <b>P10</b>   <b>N</b>   <b>B</b>   <b>P01</b>								
<b>Length</b>		<b>Size 181</b>	<b>Size 191</b>								
<b>1</b>		•	-								
<b>2</b>		•	•								
<b>Seals and treatments</b>											
<b>A</b> NBR	<b>B</b> NBR flat seal on head										
<b>V</b> FPM	<b>D</b> FPM flat seal on head										
<b>W</b> NBR head anodized	<b>L</b> NBR head anodized, flat seal on head										
<b>Z</b> FPM head anodized	<b>M</b> FPM head anodized, flat seal on head										
<b>Connections</b>											
<b>G1</b> G 1 1/4"	<b>G5</b> 1 1/2" NPT										
<b>G2</b> G 1 1/2"	<b>G7</b> SAE 20 - 1 5/8" - 12 UN										
<b>G4</b> 1 1/4" NPT	<b>G8</b> SAE 24 - 1 7/8" - 12 UN										
<b>Filtration rating (filter media)</b>											
<b>A03</b> Inorganic microfiber 3 µm	<b>M25</b> Wire mesh 25 µm										
<b>A06</b> Inorganic microfiber 6 µm	<b>M60</b> Wire mesh 60 µm										
<b>A10</b> Inorganic microfiber 10 µm	<b>M90</b> Wire mesh 90 µm										
<b>A16</b> Inorganic microfiber 16 µm	<b>P10</b> Resin impregnated paper 10 µm										
<b>A25</b> Inorganic microfiber 25 µm	<b>P25</b> Resin impregnated paper 25 µm										
All filter media except M60, P10 and P25 are compatible with fluids HFA, HFB and HFC											
<b>Element Δp</b>			<b>Filter media</b>			<b>Bypass valve</b>			<b>Execution</b>		
<b>N</b> 10 bar	<b>Axx</b>	<b>Mxx</b>	<b>Pxx</b>	<b>E</b> 3 bar				<b>P01</b> MP Filtri standard			
<b>H</b> 10 bar	•	-	-	<b>B</b> 1.75 bar				<b>Pxx</b> Customized			

### FILTER ELEMENT

<b>Element series and size</b>			Configuration example 1: <b>MF180</b>   <b>1</b>   <b>A25</b>   <b>H</b>   <b>B</b>   <b>E</b>   <b>P01</b>											
<b>MF180</b>   <b>MF190</b> Filter element with standard spigot			Configuration example 2: <b>MF190</b>   <b>2</b>   <b>P10</b>   <b>N</b>   <b>V</b>   <b>P01</b>											
<b>Element length</b>		<b>Size 180</b>	<b>Size 190</b>											
<b>1</b>		•	-											
<b>2</b>		•	•											
<b>Filtration rating (filter media)</b>														
<b>A03</b> Inorganic microfiber 3 µm	<b>M25</b> Wire mesh 25 µm													
<b>A06</b> Inorganic microfiber 6 µm	<b>M60</b> Wire mesh 60 µm													
<b>A10</b> Inorganic microfiber 10 µm	<b>M90</b> Wire mesh 90 µm													
<b>A16</b> Inorganic microfiber 16 µm	<b>P10</b> Resin impregnated paper 10 µm													
<b>A25</b> Inorganic microfiber 25 µm	<b>P25</b> Resin impregnated paper 25 µm													
<b>Element Δp</b>			<b>Filter media</b>			<b>Seals</b>			<b>Bypass valve</b>			<b>Execution</b>		
<b>N</b> 10 bar	<b>Axx</b>	<b>Mxx</b>	<b>Pxx</b>	<b>B</b> NBR	<b>E</b> 3 bar	<b>P01</b> MP Filtri standard								
<b>H</b> 10 bar	•	-	-	<b>V</b> FPM	- 1.75 bar	<b>Pxx</b> Customized								

### CLOGGING INDICATORS

See page 680-681

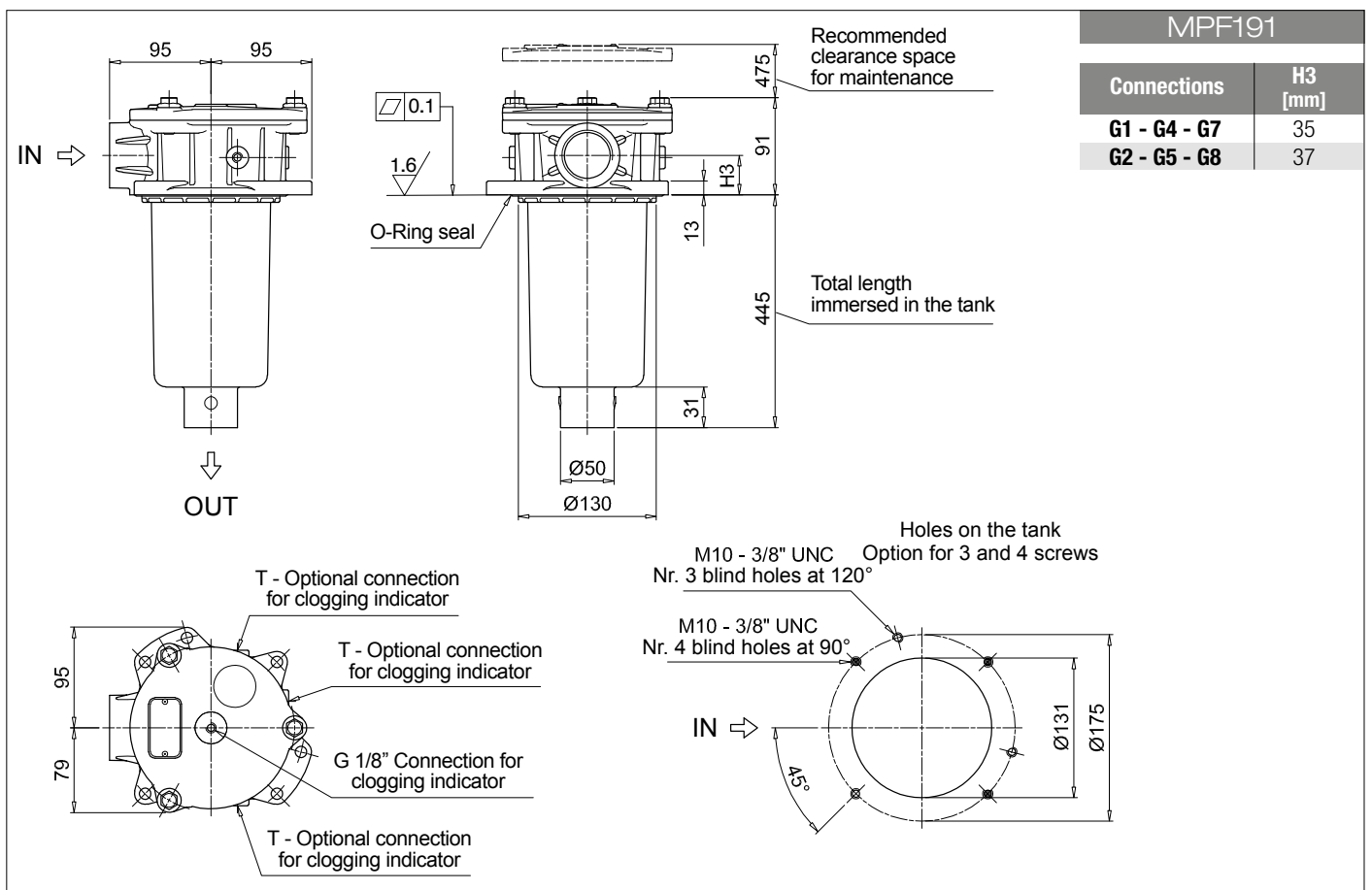
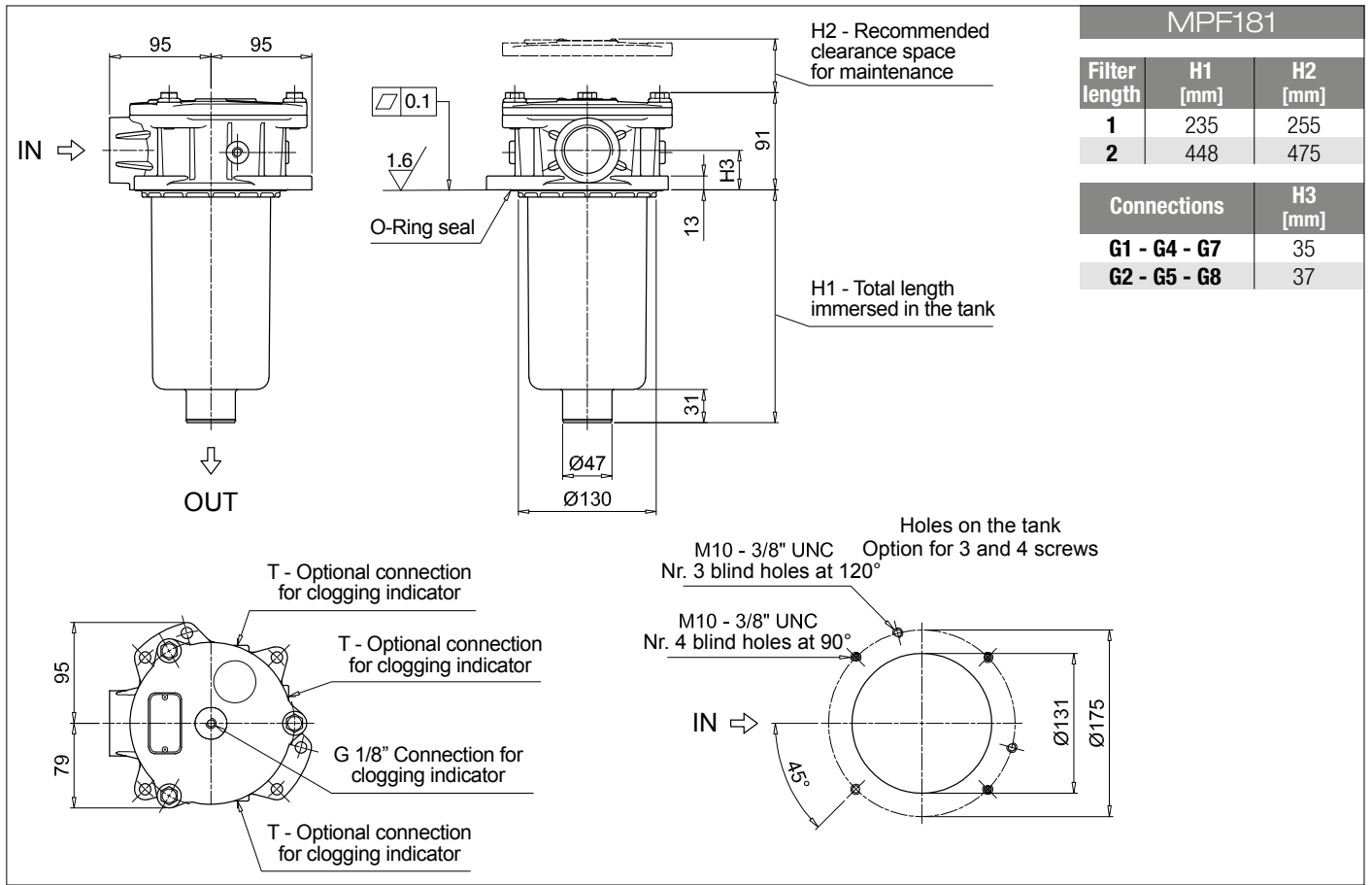
<b>BVA</b> Axial pressure gauge
<b>BVR</b> Radial pressure gauge
<b>BVP</b> Visual pressure indicator with automatic reset
<b>BVQ</b> Visual pressure indicator with manual reset

<b>BEA</b> Electrical pressure indicator
<b>BEM</b> Electrical pressure indicator
<b>BLA</b> Electrical / visual pressure indicator

### ADDITIONAL FEATURES

See page 262

<b>TE</b> Extension tube
<b>Sxx</b> Extension tube
<b>T5</b> Filler plug M30x1.5



# MPF MPF182 - MPF192

## Designation & Ordering code

### COMPLETE FILTER

<b>Series and size</b> <b>MPF182</b>   <b>MPF192</b> Filter element with standard spigot	Configuration example 1:	<b>MPF182</b>	<b>1</b>	<b>A</b>	<b>G1</b>	<b>1</b>	<b>A25</b>	<b>H</b>	<b>E</b>	<b>P01</b>
	Configuration example 2:	<b>MPF192</b>	<b>2</b>	<b>V</b>	<b>G4</b>	<b>2</b>	<b>P10</b>	<b>N</b>	<b>B</b>	<b>P01</b>

Length	Size 182	Size 192
<b>1</b>	•	-
<b>2</b>	•	•

Seals and treatments	
<b>A</b> NBR	<b>B</b> NBR flat seal on head
<b>V</b> FPM	<b>D</b> FPM flat seal on head
<b>W</b> NBR head anodized	<b>L</b> NBR head anodized, flat seal on head
<b>Z</b> FPM head anodized	<b>M</b> FPM head anodized, flat seal on head

Main Connections	Aux size 1	Aux size 2
<b>G1</b> G 1 1/4"	G 1/2"	G 3/4"
<b>G4</b> 1 1/4" NPT	1/2" NPT	3/4" NPT
<b>G7</b> SAE 20 - 1 5/8" - 12 UN	SAE 8 - 3/16" - 16 UNF	SAE 12 - 1 1/16" - 12 UN

Aux connection - see previous table	
<b>1</b> Aux size 1	<b>2</b> Aux size 2

Filtration rating (filter media)	
<b>A03</b> Inorganic microfiber 3 µm	<b>M25</b> Wire mesh 25 µm
<b>A06</b> Inorganic microfiber 6 µm	<b>M60</b> Wire mesh 60 µm
<b>A10</b> Inorganic microfiber 10 µm	<b>M90</b> Wire mesh 90 µm
<b>A16</b> Inorganic microfiber 16 µm	<b>P10</b> Resin impregnated paper 10 µm
<b>A25</b> Inorganic microfiber 25 µm	<b>P25</b> Resin impregnated paper 25 µm

All filter media except M60, P10 and P25 are compatible with fluids HFA, HFB and HFC

Element Δp	Filter media			Bypass valve	Execution
	Axx	Mxx	Pxx		
<b>N</b> 10 bar	-	•	•	<b>E</b> 3 bar	<b>P01</b> MP Filtri standard
<b>H</b> 10 bar	•	-	-	<b>B</b> 1.75 bar	<b>Pxx</b> Customized

### FILTER ELEMENT

<b>Element series and size</b> <b>MF180</b>   <b>MF190</b> Filter element with standard spigot	Configuration example 1:	<b>MF180</b>	<b>1</b>	<b>A25</b>	<b>H</b>	<b>B</b>	<b>E</b>	<b>P01</b>
	Configuration example 2:	<b>MF190</b>	<b>2</b>	<b>P10</b>	<b>N</b>	<b>V</b>		<b>P01</b>

Element length	Size 180	Size 190
<b>1</b>	•	-
<b>2</b>	•	•

Filtration rating (filter media)	
<b>A03</b> Inorganic microfiber 3 µm	<b>M25</b> Wire mesh 25 µm
<b>A06</b> Inorganic microfiber 6 µm	<b>M60</b> Wire mesh 60 µm
<b>A10</b> Inorganic microfiber 10 µm	<b>M90</b> Wire mesh 90 µm
<b>A16</b> Inorganic microfiber 16 µm	<b>P10</b> Resin impregnated paper 10 µm
<b>A25</b> Inorganic microfiber 25 µm	<b>P25</b> Resin impregnated paper 25 µm

Element Δp	Filter media			Seals	Bypass valve	Execution
	Axx	Mxx	Pxx			
<b>N</b> 10 bar	-	•	•	<b>B</b> NBR	<b>E</b> 3 bar	<b>P01</b> MP Filtri standard
<b>H</b> 10 bar	•	-	-	<b>V</b> FPM	- 1.75 bar	<b>Pxx</b> Customized

### CLOGGING INDICATORS

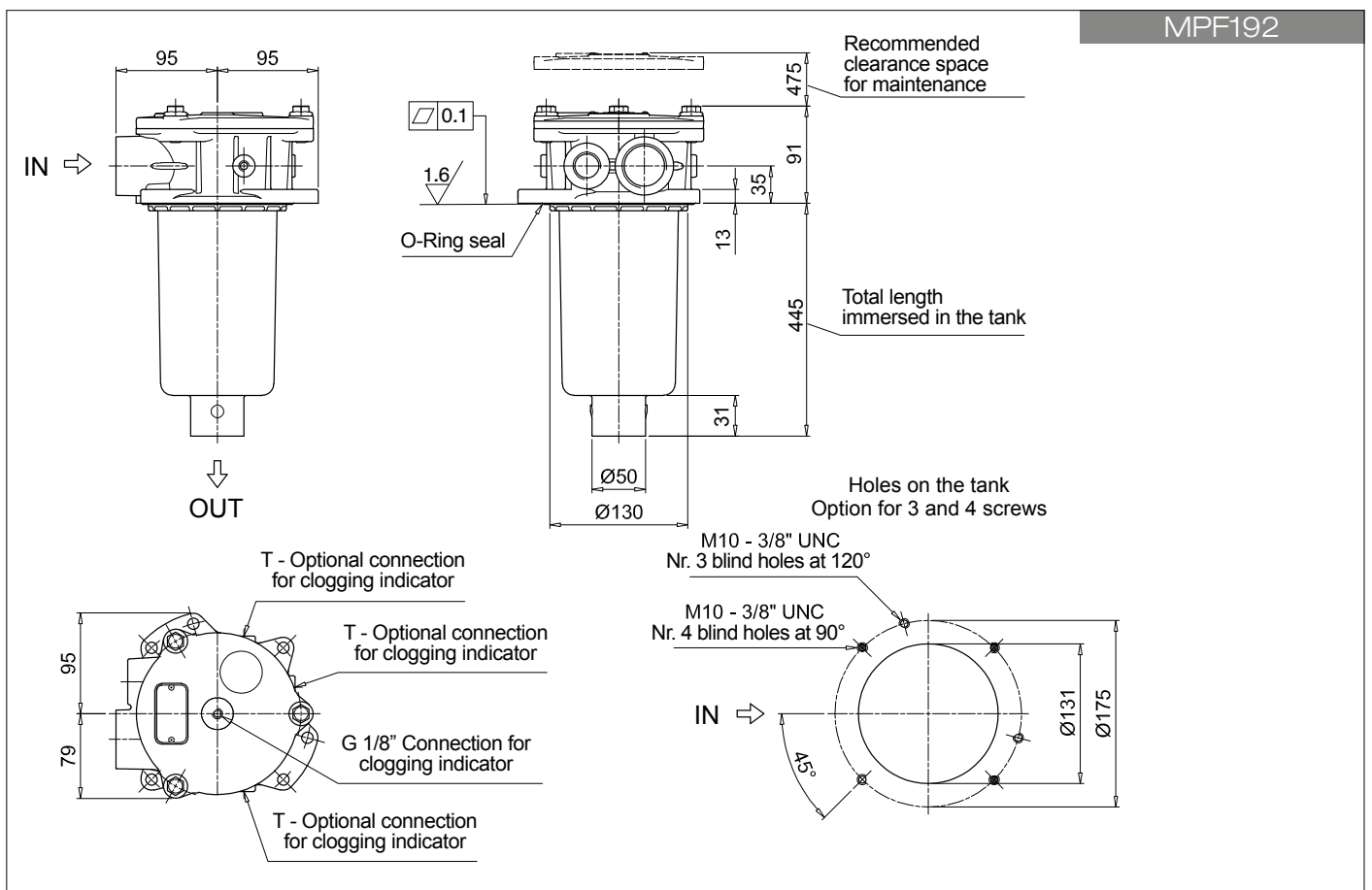
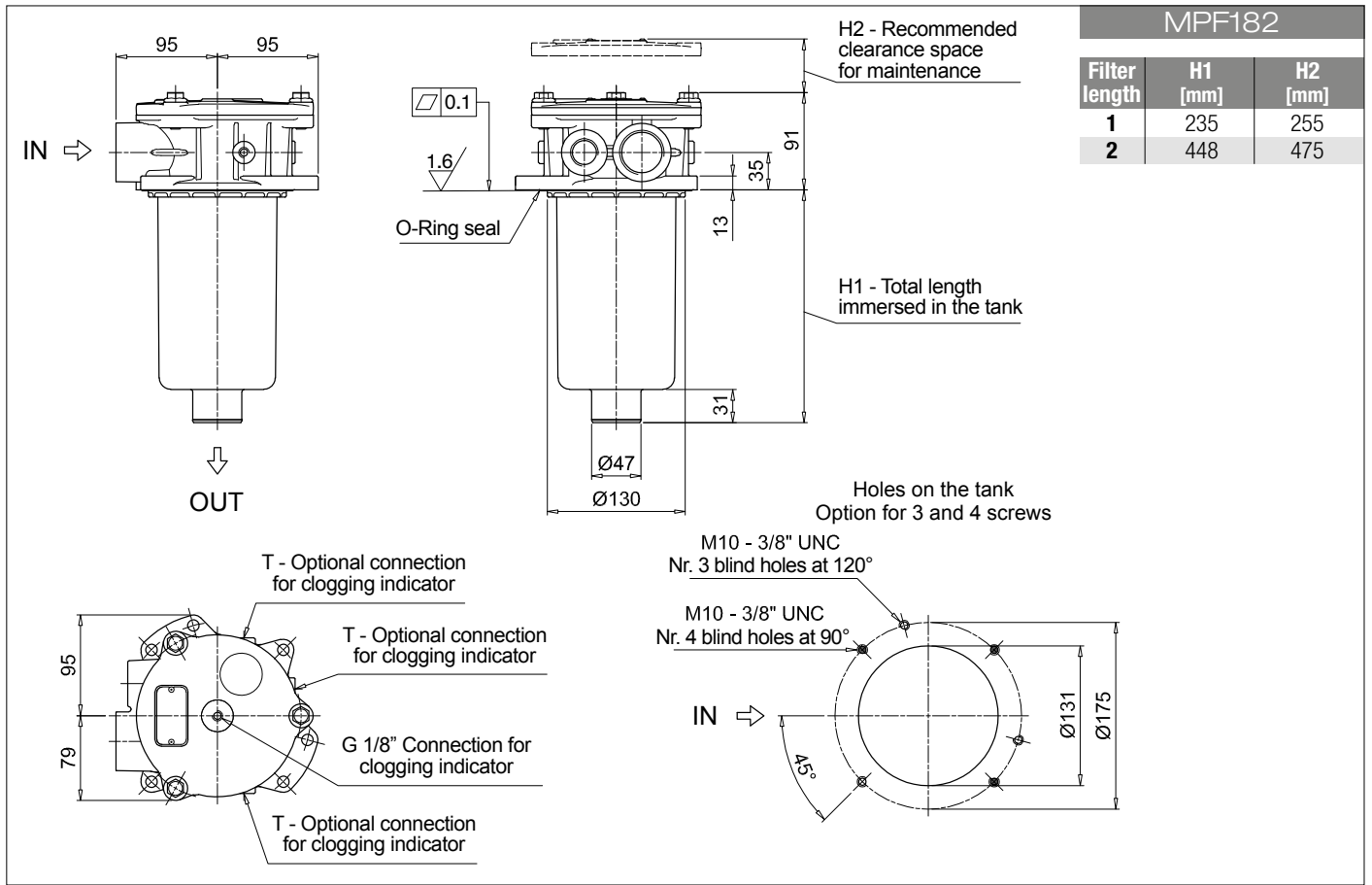
See page 680-681

<b>BVA</b> Axial pressure gauge	<b>BEA</b> Electrical pressure indicator
<b>BVR</b> Radial pressure gauge	<b>BEM</b> Electrical pressure indicator
<b>BVP</b> Visual pressure indicator with automatic reset	<b>BLA</b> Electrical / visual pressure indicator
<b>BVQ</b> Visual pressure indicator with manual reset	

### ADDITIONAL FEATURES

See page 262

<b>TE</b> Extension tube
<b>Sxx</b> Extension tube
<b>T5</b> Filler plug M30x1.5



# MPF MPF184 - MPF194

## Designation & Ordering code

### COMPLETE FILTER

<b>Series and size</b>	Configuration example 1:	MPF184	1	A	G1	A25	H	E	P01
<b>MPF184   MPF194</b> Filter element with standard spigot	Configuration example 2:	MPF194	2	V	F3	P10	N	B	P01

Length	Size 184	Size 194
1	•	-
2	•	•

Seals and treatments		
<b>A</b> NBR	<b>W</b> NBR	head anodized
<b>V</b> FPM	<b>Z</b> FPM	head anodized

Main Connections	Rear connections	Main Connections	Rear connections
<b>G1</b> G 1 1/4"	-	<b>G13</b> G 1 1/2"	-
<b>G2</b> G 1 1/4"	G 1 1/4"	<b>G14</b> G 1 1/2"	G 1 1/4"
<b>G4</b> 1 1/4" NPT	-	<b>G15</b> 1 1/2" NPT	-
<b>G5</b> 1 1/4" NPT	1 1/4" NPT	<b>G16</b> 1 1/2" NPT	1 1/4" NPT
<b>G7</b> SAE 20 - 1 5/8" - 12 UN	-	<b>F1</b> 1 1/2" SAE 3000 psi/M	-
<b>G8</b> SAE 20 - 1 5/8" - 12 UN	SAE 20 - 1 5/8" - 12 UN	<b>F2</b> 1 1/2" SAE 3000 psi/UNC	-
<b>G10</b> SAE 24 - 1 7/8" - 12 UN	-	<b>F3</b> 1 1/2" SAE 3000 psi/M	1 1/2" SAE 3000 psi/M
<b>G11</b> SAE 24 - 1 7/8" - 12 UN	SAE 20 - 1 5/8" - 12 UN	<b>F4</b> 1 1/2" SAE 3000 psi/UNC	1 1/2" SAE 3000 psi/UNC

Filtration rating (filter media)	
<b>A03</b> Inorganic microfiber 3 µm	<b>M25</b> Wire mesh 25 µm
<b>A06</b> Inorganic microfiber 6 µm	<b>M60</b> Wire mesh 60 µm
<b>A10</b> Inorganic microfiber 10 µm	<b>M90</b> Wire mesh 90 µm
<b>A16</b> Inorganic microfiber 16 µm	<b>P10</b> Resin impregnated paper 10 µm
<b>A25</b> Inorganic microfiber 25 µm	<b>P25</b> Resin impregnated paper 25 µm

All filter media except M60, P10 and P25 are compatible with fluids HFA, HFB and HFC

Element Δp	Filter media			Bypass valve	Execution
	Axx	Mxx	Pxx		
<b>N</b> 10 bar	-	•	•	<b>E</b> 3 bar	<b>P01</b> MP Filtri standard
<b>H</b> 10 bar	•	-	-	<b>B</b> 1.75 bar	<b>Pxx</b> Customized

### FILTER ELEMENT

<b>Element series and size</b>	Configuration example 1:	MF180	1	A25	H	B	E	P01
<b>MF180   MF190</b> Filter element with standard spigot	Configuration example 2:	MF190	2	P10	N	V		P01

Element length	Size 180	Size 190
1	•	-
2	•	•

Filtration rating (filter media)	
<b>A03</b> Inorganic microfiber 3 µm	<b>M25</b> Wire mesh 25 µm
<b>A06</b> Inorganic microfiber 6 µm	<b>M60</b> Wire mesh 60 µm
<b>A10</b> Inorganic microfiber 10 µm	<b>M90</b> Wire mesh 90 µm
<b>A16</b> Inorganic microfiber 16 µm	<b>P10</b> Resin impregnated paper 10 µm
<b>A25</b> Inorganic microfiber 25 µm	<b>P25</b> Resin impregnated paper 25 µm

Element Δp	Filter media			Seals	Bypass valve	Execution
	Axx	Mxx	Pxx			
<b>N</b> 10 bar	-	•	•	<b>B</b> NBR	<b>E</b> 3 bar	<b>P01</b> MP Filtri standard
<b>H</b> 10 bar	•	-	-	<b>V</b> FPM	- 1.75 bar	<b>Pxx</b> Customized

### CLOGGING INDICATORS

See page 680-681

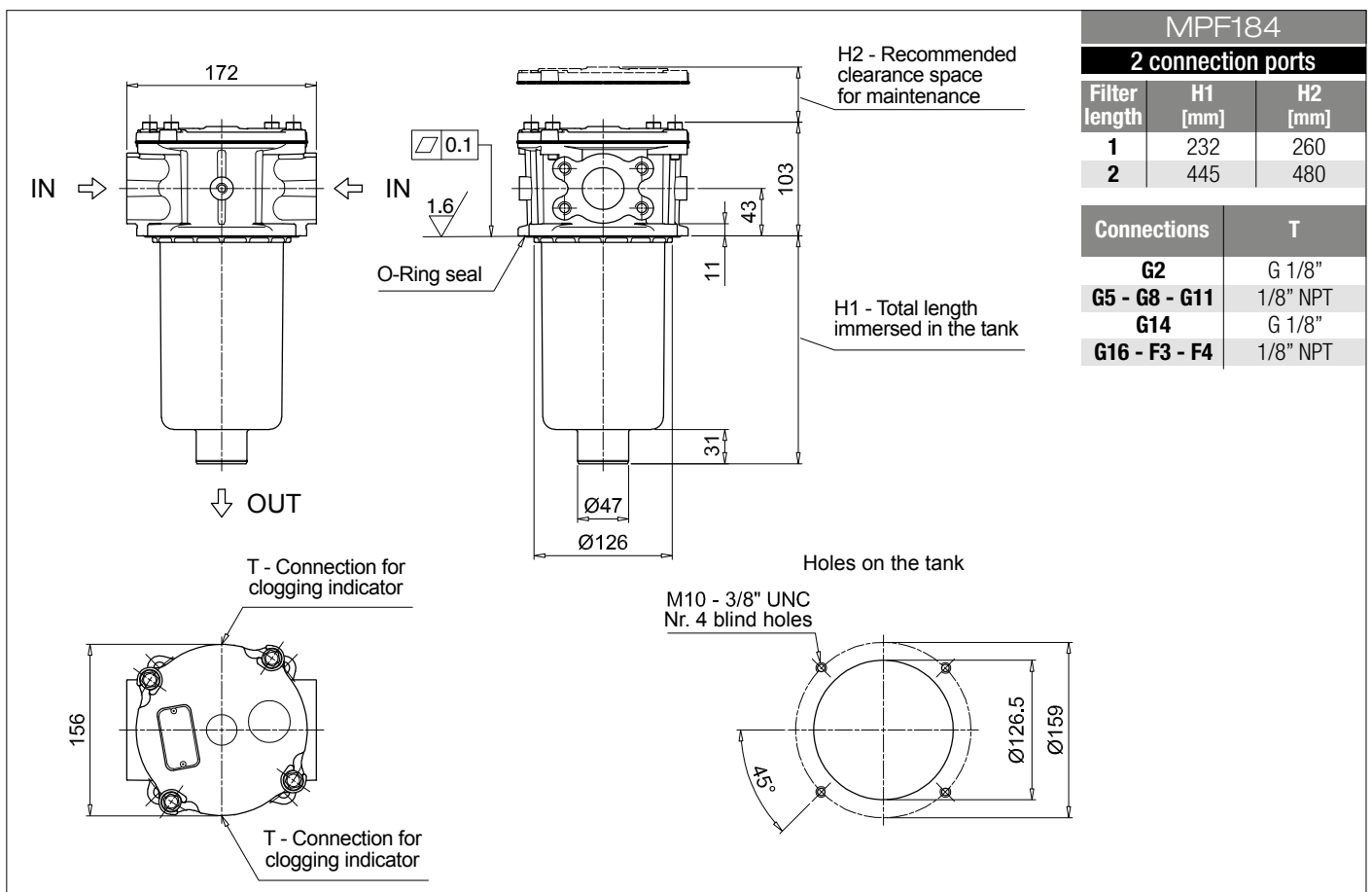
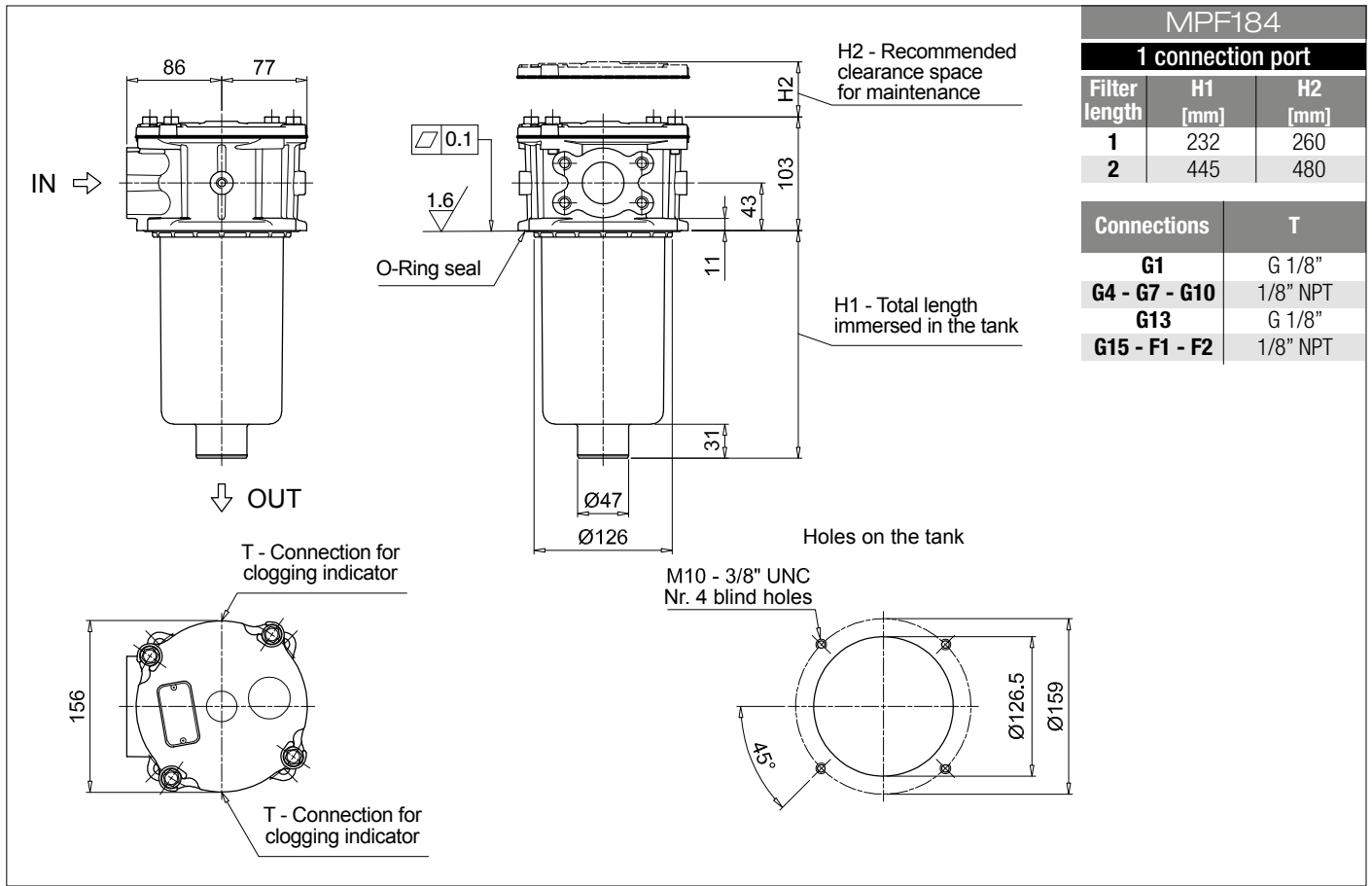
<b>BVA</b> Axial pressure gauge	<b>BEA</b> Electrical pressure indicator
<b>BVR</b> Radial pressure gauge	<b>BEM</b> Electrical pressure indicator
<b>BVP</b> Visual pressure indicator with automatic reset	<b>BLA</b> Electrical / visual pressure indicator
<b>BVQ</b> Visual pressure indicator with manual reset	

### ADDITIONAL FEATURES

See page 262

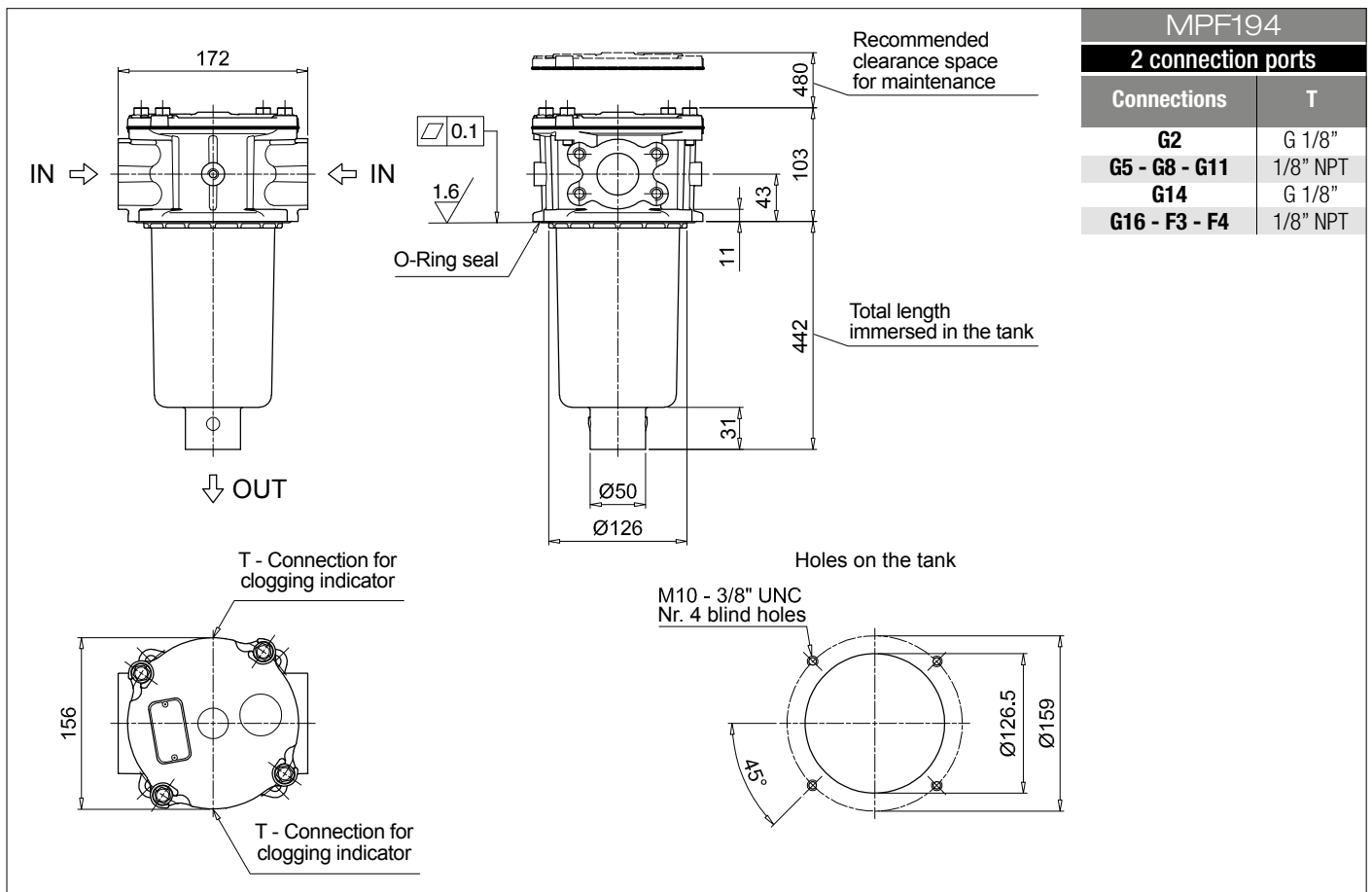
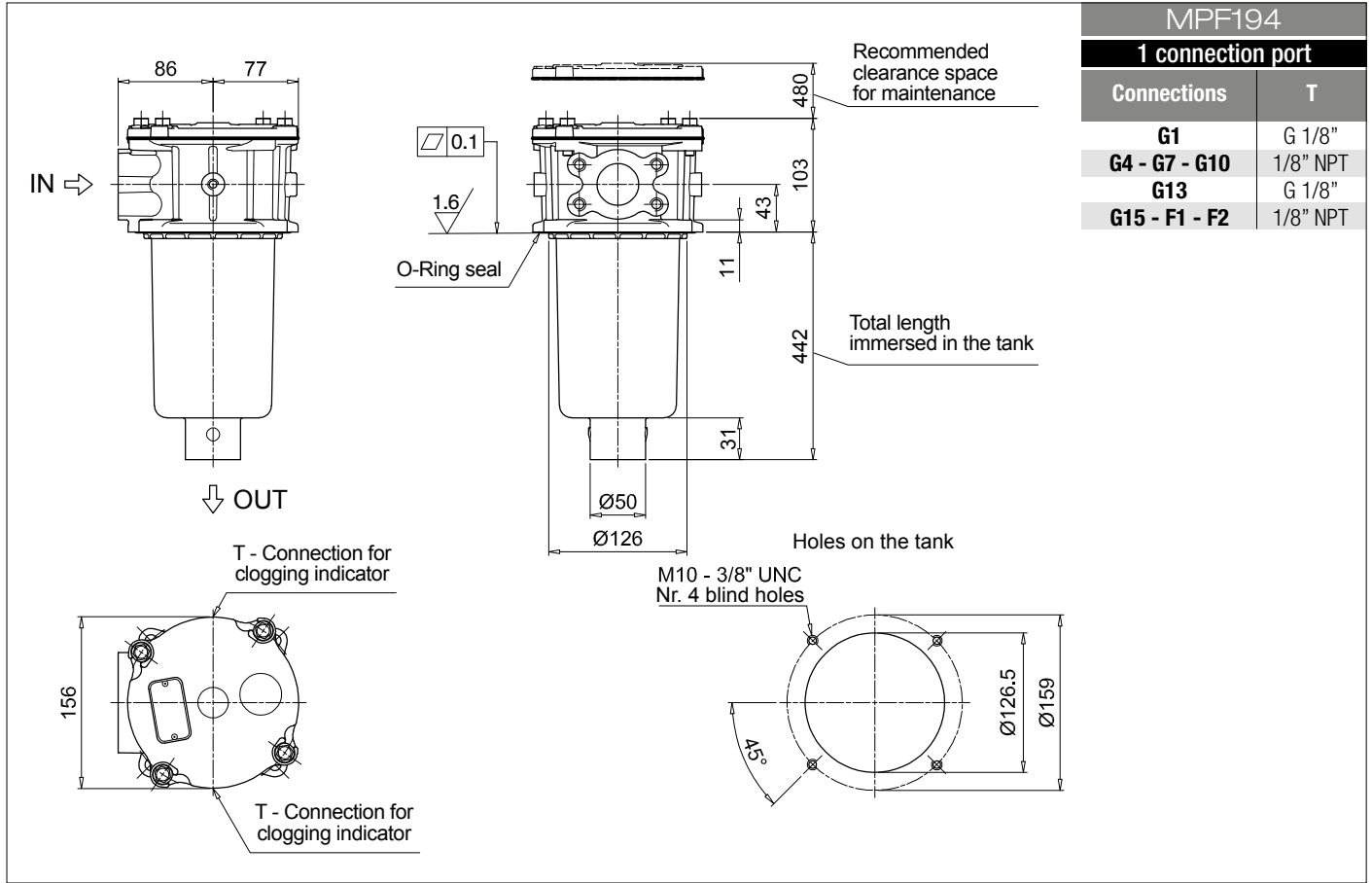
<b>TE</b> Extension tube
<b>Sxx</b> Extension tube
<b>T5</b> Filler plug M30x1.5





# MPF MPF184 - MPF194

## Dimensions





## Designation & Ordering code

### COMPLETE FILTER

<b>Series and size</b>	Configuration example 1:	<b>MPF400</b>	<b>1</b>	<b>A</b>	<b>G9</b>	<b>A25</b>	<b>H</b>	<b>B</b>	<b>P01</b>
<b>MPF400</b> Filter element with standard spigot	Configuration example 2:	<b>MPF400</b>	<b>2</b>	<b>V</b>	<b>G4</b>	<b>P10</b>	<b>N</b>	<b>E</b>	<b>P01</b>

<b>Length</b>	<b>1</b>   <b>2</b>   <b>3</b>
---------------	--------------------------------

<b>Seals and treatments</b>	
<b>A</b> NBR	
<b>V</b> FPM	
<b>W</b> NBR head anodized	
<b>Z</b> FPM head anodized	

<b>Connections</b>	
<b>G1</b> G 1 1/4"	<b>G6</b> 2" NPT
<b>G2</b> G 1 1/2"	<b>G7</b> SAE 20 - 1 5/8" - 12 UN
<b>G3</b> G 2"	<b>G8</b> SAE 24 - 1 7/8" - 12 UN
<b>G4</b> 1 1/4" NPT	<b>G9</b> SAE 32 - 2 1/2" - 12 UN
<b>G5</b> 1 1/2" NPT	

<b>Filtration rating (filter media)</b>	
<b>A03</b> Inorganic microfiber 3 µm	<b>M25</b> Wire mesh 25 µm
<b>A06</b> Inorganic microfiber 6 µm	<b>M60</b> Wire mesh 60 µm
<b>A10</b> Inorganic microfiber 10 µm	<b>M90</b> Wire mesh 90 µm
<b>A16</b> Inorganic microfiber 16 µm	<b>P10</b> Resin impregnated paper 10 µm
<b>A25</b> Inorganic microfiber 25 µm	<b>P25</b> Resin impregnated paper 25 µm

All filter media except M60, P10 and P25 are compatible with fluids HFA, HFB and HFC

<b>Element Δp</b>	<b>Filter media</b>	<b>Bypass valve</b>	<b>Execution</b>
<b>N</b> 10 bar	Axx   Mxx   Pxx	<b>E</b> 3 bar	<b>P01</b> MP Filtri standard
<b>H</b> 10 bar	•   -   -	<b>B</b> 1.75 bar	<b>Pxx</b> Customized

### FILTER ELEMENT

<b>Element series and size</b>	Configuration example 1:	<b>MF400</b>	<b>1</b>	<b>A25</b>	<b>H</b>	<b>B</b>	<b>P01</b>	
<b>MF400</b> Filter element with standard spigot	Configuration example 2:	<b>MF400</b>	<b>2</b>	<b>P10</b>	<b>N</b>	<b>V</b>	<b>E</b>	<b>P01</b>

<b>Element length</b>	<b>1</b>   <b>2</b>   <b>3</b>
-----------------------	--------------------------------

<b>Filtration rating (filter media)</b>	
<b>A03</b> Inorganic microfiber 3 µm	<b>M25</b> Wire mesh 25 µm
<b>A06</b> Inorganic microfiber 6 µm	<b>M60</b> Wire mesh 60 µm
<b>A10</b> Inorganic microfiber 10 µm	<b>M90</b> Wire mesh 90 µm
<b>A16</b> Inorganic microfiber 16 µm	<b>P10</b> Resin impregnated paper 10 µm
<b>A25</b> Inorganic microfiber 25 µm	<b>P25</b> Resin impregnated paper 25 µm

<b>Element Δp</b>	<b>Filter media</b>	<b>Seals</b>	<b>Bypass valve</b>	<b>Execution</b>
<b>N</b> 10 bar	Axx   Mxx   Pxx	<b>B</b> NBR	<b>E</b> 3 bar	<b>P01</b> MP Filtri standard
<b>H</b> 10 bar	•   -   -	<b>V</b> FPM	- 1.75 bar	<b>Pxx</b> Customized

### CLOGGING INDICATORS

See page 680-681

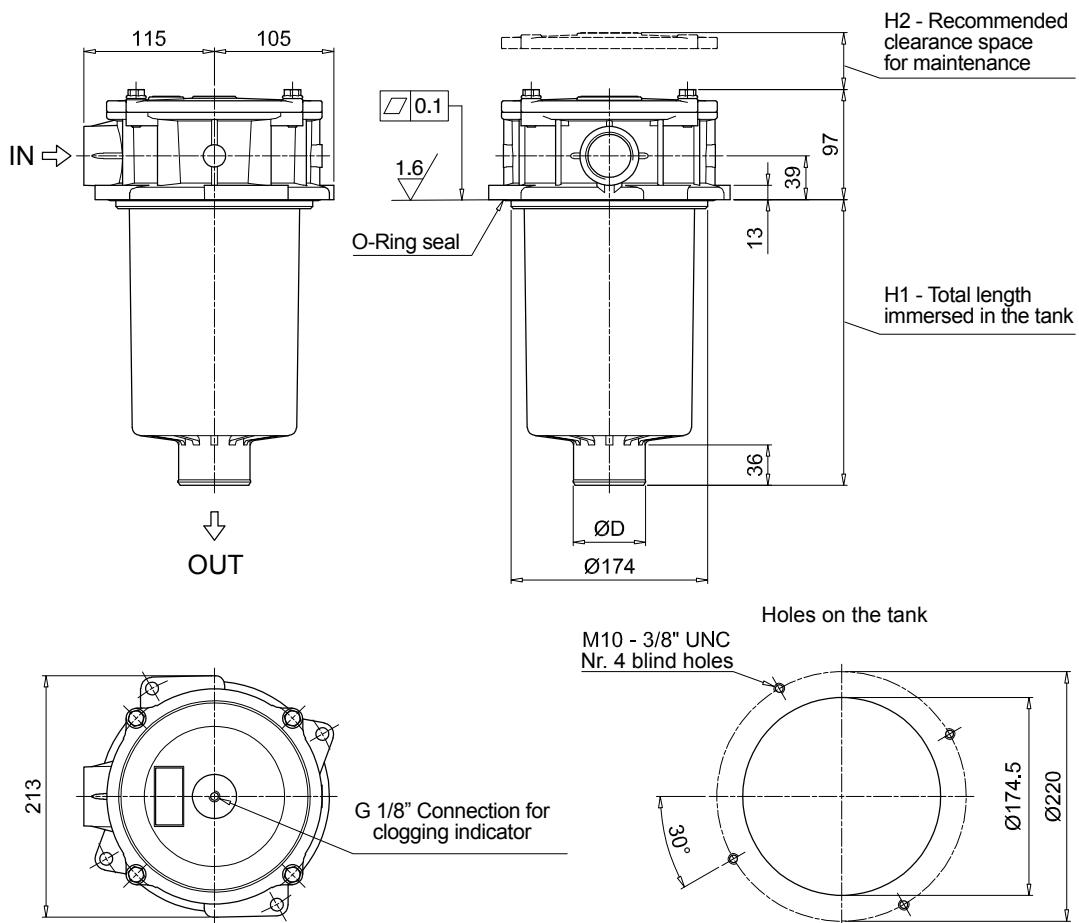
<b>BVA</b> Axial pressure gauge	<b>BEA</b> Electrical pressure indicator
<b>BVR</b> Radial pressure gauge	<b>BEM</b> Electrical pressure indicator
<b>BVP</b> Visual pressure indicator with automatic reset	<b>BLA</b> Electrical / visual pressure indicator
<b>BVQ</b> Visual pressure indicator with manual reset	

### ADDITIONAL FEATURES

See page 262

<b>Sxx</b> Extension tube
<b>T5</b> Filler plug M30x1.5

MPF400			
Filter length	H1 [mm]	H2 [mm]	D [mm]
<b>1</b>	180	210	51
<b>2</b>	240	270	64
<b>3</b>	290	315	64



## Designation & Ordering code

### COMPLETE FILTER

<b>Series and size</b>	Configuration example 1: <b>MPF410</b>   <b>1</b>   <b>A</b>   <b>G1</b>   <b>1</b>   <b>A25</b>   <b>H</b>   <b>B</b>   <b>P01</b>																			
<b>MPF410</b> Filter element with standard spigot	Configuration example 2: <b>MPF410</b>   <b>1</b>   <b>V</b>   <b>G4</b>   <b>1</b>   <b>P10</b>   <b>N</b>   <b>E</b>   <b>P01</b>																			
<b>Length</b>	1   2   3																			
<b>Seals and treatments</b>	<b>A</b> NBR <b>V</b> FPM <b>W</b> NBR head anodized <b>Z</b> FPM head anodized																			
<b>Main Connections</b>	<table border="1"> <thead> <tr> <th></th> <th>Aux size 1</th> </tr> </thead> <tbody> <tr> <td><b>G1</b> G 1 1/4"</td> <td>G 1"</td> </tr> <tr> <td><b>G4</b> 1 1/4" NPT</td> <td>1" NPT</td> </tr> <tr> <td><b>G7</b> SAE 20 - 1 5/8" - 12 UN</td> <td>SAE 16 - 1 5/16" - 12 UN</td> </tr> </tbody> </table>											Aux size 1	<b>G1</b> G 1 1/4"	G 1"	<b>G4</b> 1 1/4" NPT	1" NPT	<b>G7</b> SAE 20 - 1 5/8" - 12 UN	SAE 16 - 1 5/16" - 12 UN		
	Aux size 1																			
<b>G1</b> G 1 1/4"	G 1"																			
<b>G4</b> 1 1/4" NPT	1" NPT																			
<b>G7</b> SAE 20 - 1 5/8" - 12 UN	SAE 16 - 1 5/16" - 12 UN																			
<b>Aux connection</b> - see previous table	1 Aux size 1																			
<b>Filtration rating (filter media)</b>	<table border="1"> <tbody> <tr> <td><b>A03</b> Inorganic microfiber 3 µm</td> <td><b>M25</b> Wire mesh 25 µm</td> </tr> <tr> <td><b>A06</b> Inorganic microfiber 6 µm</td> <td><b>M60</b> Wire mesh 60 µm</td> </tr> <tr> <td><b>A10</b> Inorganic microfiber 10 µm</td> <td><b>M90</b> Wire mesh 90 µm</td> </tr> <tr> <td><b>A16</b> Inorganic microfiber 16 µm</td> <td><b>P10</b> Resin impregnated paper 10 µm</td> </tr> <tr> <td><b>A25</b> Inorganic microfiber 25 µm</td> <td><b>P25</b> Resin impregnated paper 25 µm</td> </tr> </tbody> </table>										<b>A03</b> Inorganic microfiber 3 µm	<b>M25</b> Wire mesh 25 µm	<b>A06</b> Inorganic microfiber 6 µm	<b>M60</b> Wire mesh 60 µm	<b>A10</b> Inorganic microfiber 10 µm	<b>M90</b> Wire mesh 90 µm	<b>A16</b> Inorganic microfiber 16 µm	<b>P10</b> Resin impregnated paper 10 µm	<b>A25</b> Inorganic microfiber 25 µm	<b>P25</b> Resin impregnated paper 25 µm
<b>A03</b> Inorganic microfiber 3 µm	<b>M25</b> Wire mesh 25 µm																			
<b>A06</b> Inorganic microfiber 6 µm	<b>M60</b> Wire mesh 60 µm																			
<b>A10</b> Inorganic microfiber 10 µm	<b>M90</b> Wire mesh 90 µm																			
<b>A16</b> Inorganic microfiber 16 µm	<b>P10</b> Resin impregnated paper 10 µm																			
<b>A25</b> Inorganic microfiber 25 µm	<b>P25</b> Resin impregnated paper 25 µm																			
All filter media except M60, P10 and P25 are compatible with fluids HFA, HFB and HFC																				
<b>Element Δp</b>	Filter media			Bypass valve			Execution													
<b>N</b> 10 bar	Axx	Mxx	Pxx	<b>E</b> 3 bar	<b>P01</b> MP Filtri standard															
<b>H</b> 10 bar	•	-	-	<b>B</b> 1.75 bar	<b>Pxx</b> Customized															

### FILTER ELEMENT

<b>Element series and size</b>	Configuration example 1: <b>MF400</b>   <b>1</b>   <b>A25</b>   <b>H</b>   <b>B</b>   <b>P01</b>																			
<b>MF400</b> Filter element with standard spigot	Configuration example 2: <b>MF400</b>   <b>1</b>   <b>P10</b>   <b>N</b>   <b>V</b>   <b>E</b>   <b>P01</b>																			
<b>Element length</b>	1   2   3																			
<b>Filtration rating (filter media)</b>	<table border="1"> <tbody> <tr> <td><b>A03</b> Inorganic microfiber 3 µm</td> <td><b>M25</b> Wire mesh 25 µm</td> </tr> <tr> <td><b>A06</b> Inorganic microfiber 6 µm</td> <td><b>M60</b> Wire mesh 60 µm</td> </tr> <tr> <td><b>A10</b> Inorganic microfiber 10 µm</td> <td><b>M90</b> Wire mesh 90 µm</td> </tr> <tr> <td><b>A16</b> Inorganic microfiber 16 µm</td> <td><b>P10</b> Resin impregnated paper 10 µm</td> </tr> <tr> <td><b>A25</b> Inorganic microfiber 25 µm</td> <td><b>P25</b> Resin impregnated paper 25 µm</td> </tr> </tbody> </table>										<b>A03</b> Inorganic microfiber 3 µm	<b>M25</b> Wire mesh 25 µm	<b>A06</b> Inorganic microfiber 6 µm	<b>M60</b> Wire mesh 60 µm	<b>A10</b> Inorganic microfiber 10 µm	<b>M90</b> Wire mesh 90 µm	<b>A16</b> Inorganic microfiber 16 µm	<b>P10</b> Resin impregnated paper 10 µm	<b>A25</b> Inorganic microfiber 25 µm	<b>P25</b> Resin impregnated paper 25 µm
<b>A03</b> Inorganic microfiber 3 µm	<b>M25</b> Wire mesh 25 µm																			
<b>A06</b> Inorganic microfiber 6 µm	<b>M60</b> Wire mesh 60 µm																			
<b>A10</b> Inorganic microfiber 10 µm	<b>M90</b> Wire mesh 90 µm																			
<b>A16</b> Inorganic microfiber 16 µm	<b>P10</b> Resin impregnated paper 10 µm																			
<b>A25</b> Inorganic microfiber 25 µm	<b>P25</b> Resin impregnated paper 25 µm																			
<b>Element Δp</b>	Filter media			Seals			Bypass valve			Execution										
<b>N</b> 10 bar	Axx	Mxx	Pxx	<b>B</b> NBR	<b>E</b> 3 bar	<b>P01</b> MP Filtri standard														
<b>H</b> 10 bar	•	-	-	<b>V</b> FPM	- 1.75 bar	<b>Pxx</b> Customized														

### CLOGGING INDICATORS

See page 680-681

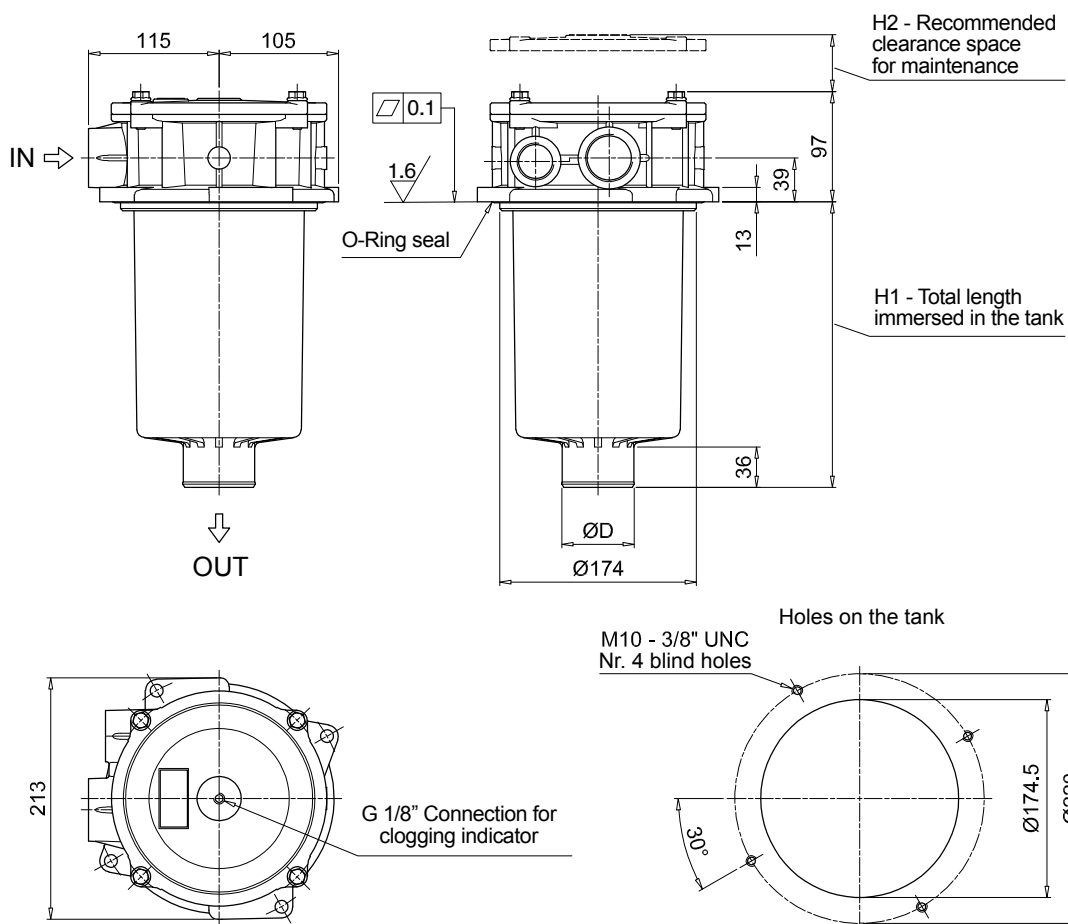
<b>BVA</b> Axial pressure gauge	<b>BEA</b> Electrical pressure indicator
<b>BVR</b> Radial pressure gauge	<b>BEM</b> Electrical pressure indicator
<b>BVP</b> Visual pressure indicator with automatic reset	<b>BLA</b> Electrical / visual pressure indicator
<b>BVQ</b> Visual pressure indicator with manual reset	

### ADDITIONAL FEATURES

See page 262

<b>Sxx</b> Extension tube
<b>T5</b> Filler plug M30x1.5

MPF410			
Filter length	H1 [mm]	H2 [mm]	D [mm]
<b>1</b>	180	210	51
<b>2</b>	240	270	64
<b>3</b>	290	315	64



# MPF MPF450 - MPF451 - MPF750

## Designation & Ordering code

### COMPLETE FILTER

<b>Series and size</b>		Configuration example 1:	MPF450	1	A	G1	A25	H	B	P01
<b>MPF450</b>   <b>MPF451</b>   <b>MPF750</b>	Filter element with standard spigot	Configuration example 2:	MPF750	1	V	F2	P10	N	E	P01

Length	MPF 450	MPF 451	MPF 750
1	•	•	•
2	•	•	-
3	•	•	-

Seals and treatments	
<b>A</b> NBR	<b>W</b> NBR head anodized
<b>V</b> FPM	<b>Z</b> FPM head anodized

Connections	Aux (only size 451)
<b>G1</b> G 2"	G 3/4"
<b>G4</b> 2" NPT	3/4" NPT
<b>G7</b> SAE 32 - 2 1/2" - 12 UN	SAE 12 - 1 1/16" - 12 UN
<b>F1</b> 2" SAE 3000 psi/M	G 3/4"
<b>F2</b> 2" SAE 3000 psi/UNC	3/4" NPT

Filtration rating (filter media)	
<b>A03</b> Inorganic microfiber 3 µm	<b>M25</b> Wire mesh 25 µm
<b>A06</b> Inorganic microfiber 6 µm	<b>M60</b> Wire mesh 60 µm
<b>A10</b> Inorganic microfiber 10 µm	<b>M90</b> Wire mesh 90 µm
<b>A16</b> Inorganic microfiber 16 µm	<b>P10</b> Resin impregnated paper 10 µm
<b>A25</b> Inorganic microfiber 25 µm	<b>P25</b> Resin impregnated paper 25 µm

All filter media except M60, P10 and P25 are compatible with fluids HFA, HFB and HFC

Element Δp	Filter media		
	Axx	Mxx	Pxx
<b>N</b> 10 bar	-	•	•
<b>H</b> 10 bar	•	-	-

Bypass valve	Execution
<b>E</b> 3 bar	<b>P01</b> MP Filtri standard
<b>B</b> 1.75 bar	<b>Pxx</b> Customized

### FILTER ELEMENT

<b>Element series and size</b>		Configuration example 1:	MF400	1	A25	H	B	P01	
<b>MF400</b>   <b>MF750</b>	Filter element with standard spigot	Configuration example 2:	MFX750	1	P10	N	V	E	P01

Element length	MPF 450	MPF 451	MPF 750
1	•	•	•
2	•	•	-
3	•	•	-

Filtration rating (filter media)	
<b>A03</b> Inorganic microfiber 3 µm	<b>M25</b> Wire mesh 25 µm
<b>A06</b> Inorganic microfiber 6 µm	<b>M60</b> Wire mesh 60 µm
<b>A10</b> Inorganic microfiber 10 µm	<b>M90</b> Wire mesh 90 µm
<b>A16</b> Inorganic microfiber 16 µm	<b>P10</b> Resin impregnated paper 10 µm
<b>A25</b> Inorganic microfiber 25 µm	<b>P25</b> Resin impregnated paper 25 µm

Element Δp	Filter media		
	Axx	Mxx	Pxx
<b>N</b> 10 bar	-	•	•
<b>H</b> 10 bar	•	-	-

Seals	Bypass valve	Execution
<b>B</b> NBR	<b>E</b> 3 bar	<b>P01</b> MP Filtri standard
<b>V</b> FPM	- 1.75 bar	<b>Pxx</b> Customized

### CLOGGING INDICATORS

See page 680-681

<b>BVA</b> Axial pressure gauge
<b>BVR</b> Radial pressure gauge
<b>BVP</b> Visual pressure indicator with automatic reset
<b>BVQ</b> Visual pressure indicator with manual reset

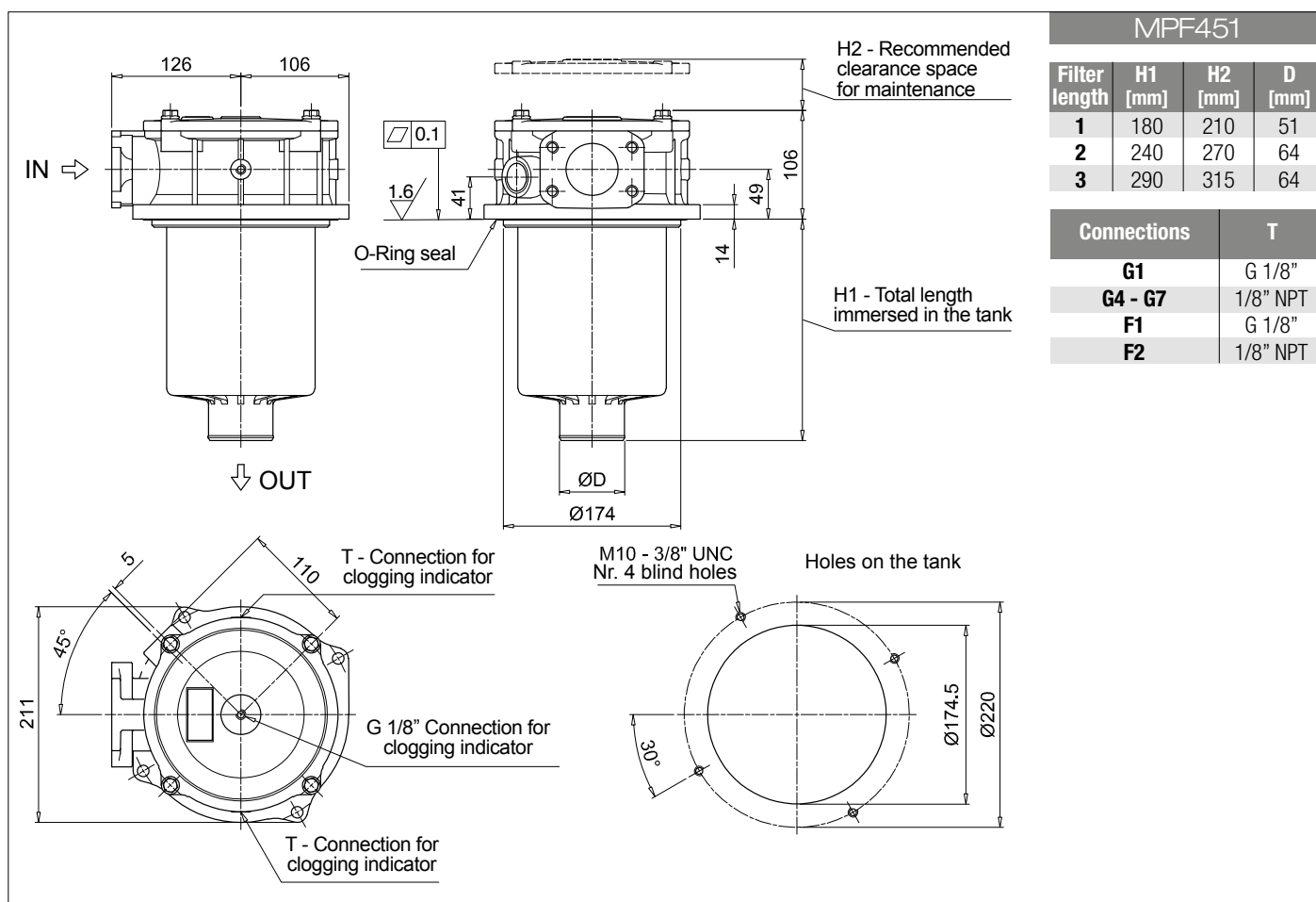
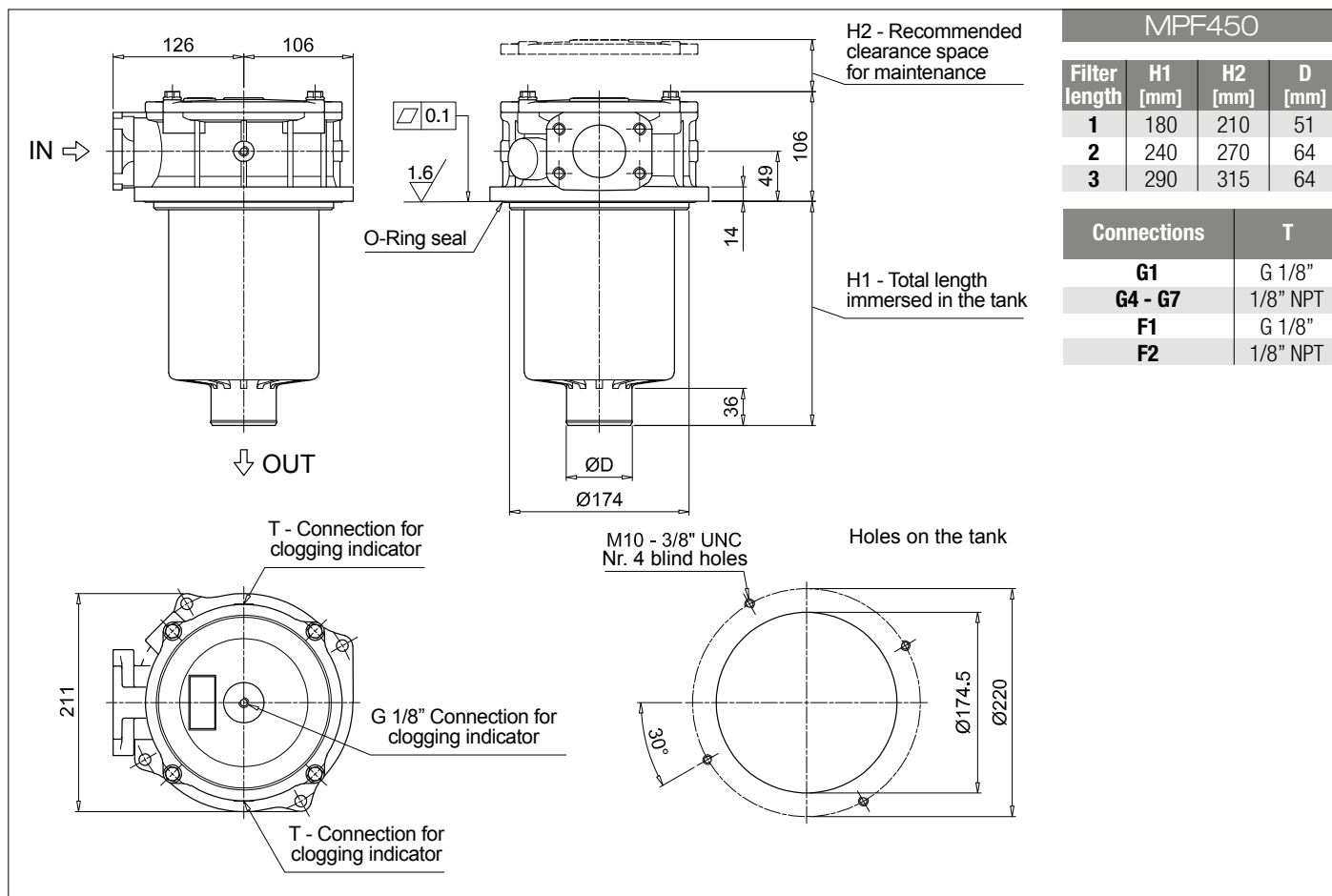
<b>BEA</b> Electrical pressure indicator
<b>BEM</b> Electrical pressure indicator
<b>BLA</b> Electrical / visual pressure indicator

### ADDITIONAL FEATURES

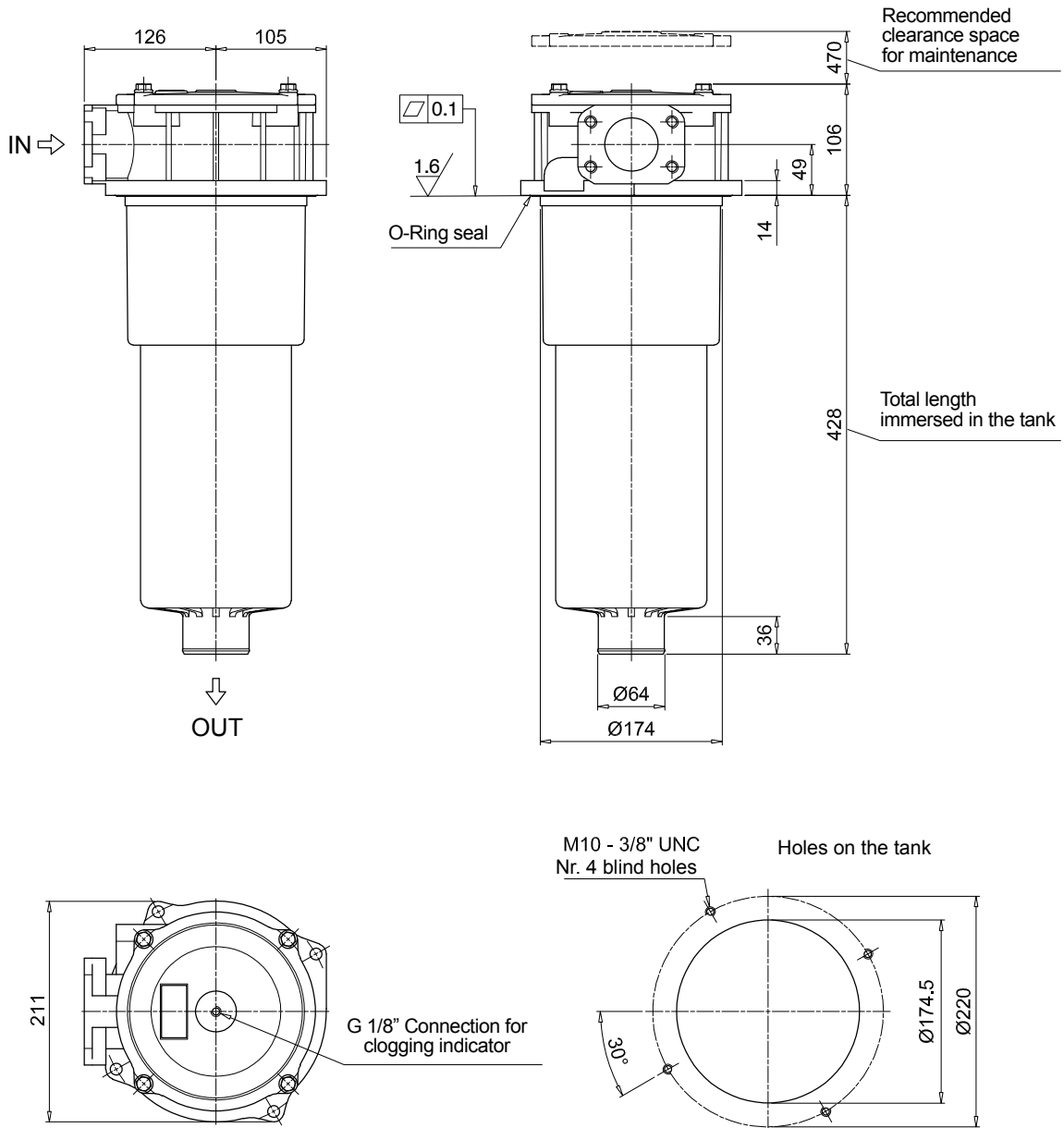
See page 262

<b>Sxx</b> Extension tube
<b>T5</b> Filler plug M30x1.5





MPF750



**MPF 100**

**MPF 181**

**O-RING SEAL**

Item:	Q.ty: 1 pc. <b>2</b>	Q.ty: 1 pc. <b>3</b> (3a ÷ 3d)		
	Filter series	Filter element	Seal Kit code number NBR	FPM
<b>MPF 030</b>	See order table		02050055	02050056
<b>MPF 100-110</b>			02050057	02050058
<b>MPF 181-182</b>			02050059	02050060
<b>MPF 184</b>			02050455	02050456
<b>MPF 191-192</b>			02050457	02050458
<b>MPF 194</b>			02050459	02050460
<b>MPF 400-410</b>			02050061	02050062
<b>MPF 450-451</b>			02050461	02050462
<b>MPF 750</b>			02050106	02050107

**MPF 104**

**MPF 181**

**FLAT SEAL**

Item:	Q.ty: 1 pc. <b>2</b>	Q.ty: 1 pc. <b>3</b> (3a ÷ 3d)		
	Filter series	Filter element	Seal Kit code number NBR	FPM
<b>MPF 020</b>	See order table		02050438	02050439
<b>MPF 104</b>			02050350	02050408
<b>MPF 181-182</b>			02050659	02050660
<b>MPF 191-192</b>			02050661	02050662



# MPT series

Maximum working pressure up to 800 kPa (8 bar) - Flow rate up to 300 l/min



## Description

## Technical data

### Return filter

**Maximum working pressure up to 800 kPa (8 bar)**

**Flow rate up to 300 l/min**

MPT is a range of return filters with integrated breather filter, for protection of the reservoir against the system contamination.

They are directly fixed to the reservoir, in immersed or semi-immersed position.

The filter output must be always immersed into the fluid to avoid aeration or foam generation into the reservoir.

### Available features:

- Female threaded connections up to 1 1/4", for a maximum flow rate of 300 l/min
- Multiple connections, to connect several return lines or drains
- Fine filtration rating, to get a good cleanliness level into the reservoir
- Bypass valve integrated into the filter element, to relieve excessive pressure drop across the filter media
- 2, 3 or 6 fixing holes for installation, to suit a variety of reservoir surfaces
- O-ring or Flat Seal to suit a variety of reservoir surfaces
- Screw-in cover with a special shape, to allow the filter element replacement without the use of specific tools
- Oil dipstick, to easily check the level of the fluid into the reservoir (sold as separate item)
- Extension tube, to be used in deep reservoirs (sold as separate item)
- Diffuser, to reduce the risk of aeration, foaming and noise (sold as separate item)
- Integrated breather filter, to clean the air that moves into the reservoir as result of the oil level fluctuation
- Integrated breather filter with pressurization valve, to clean the air that moves into the reservoir as result of the oil level fluctuation and to guarantee the pressurization into the reservoir
- Visual, electrical and electronic clogging indicators

### Common applications:

- Light industrial equipment
- Mobile application

### Filter housing materials

- Head: Aluminium
- Cover: Polyamide
- Bowl: Polyamide

### Bypass valve

- Opening pressure 175 kPa (1.75 bar)  $\pm 10\%$
- Opening pressure 300 kPa (3 bar)  $\pm 10\%$

### $\Delta p$ element type

- Microfibre filter elements - series H: 10 bar
- Fluid flow through the filter element from OUT to IN

### Seals

- Standard NBR series A
- Optional FPM series V

### Temperature

From -25 °C to +110 °C

### Note

MPT filters are provided for vertical mounting



## Weights [kg] and volumes [dm<sup>3</sup>]

Filter series	Weights [kg]					Volumes [dm <sup>3</sup> ]				
	Length	1	2	3	4	Length	1	2	3	4
<b>MPT 025</b>		0.41	0.45	0.50	-		0.24	0.35	0.42	-
<b>MPT 027</b>		0.44	0.48	0.55	-		0.24	0.35	0.42	-
<b>MPT 110</b>		1.00	1.05	1.15	1.40		0.72	0.93	1.28	1.74
<b>MPT 114</b>		1.10	1.15	1.25	1.50		0.72	0.93	1.28	1.74
<b>MPT 116</b>		1.10	1.15	1.25	1.50		0.72	0.93	1.28	1.74
<b>MPT 120</b>		1.00	1.05	1.15	1.40		0.72	0.93	1.28	1.74

Filter series	Length	Filter element design - H series					Filter element design - N series		
		A03	A06	A10	A16	A25	M25 M60 M90	P10	P25
<b>MPT 025-027</b>	<b>1</b>	7	10	23	28	42	59	51	54
	<b>2</b>	17	20	45	48	56	72	64	67
	<b>3</b>	21	24	50	55	59	76	74	75
<b>MPT 110-114 116-120</b>	<b>1</b>	18	20	53	56	65	153	87	96
	<b>2</b>	28	38	65	75	95	158	111	123
	<b>3</b>	48	55	125	135	169	289	224	251
	<b>4</b>	79	89	180	185	198	306	264	289

### Maximum flow rate for a complete return filter with a pressure drop $\Delta p = 0.5$ bar.

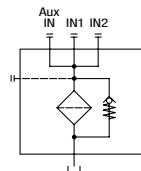
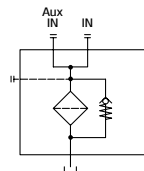
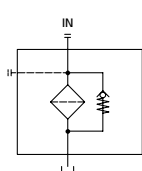
The reference fluid has a kinematic viscosity of 30 mm<sup>2</sup>/s (cSt) and a density of 0.86 kg/dm<sup>3</sup>.

For different pressure drop or fluid viscosity we recommend to use our selection software available on [www.mpfiltri.com](http://www.mpfiltri.com).

You can also calculate the right size using the formulas present on the FILTER SIZING paragraph at the beginning of the full catalogue or at the beginning of the filter family brochure. Please, contact our Sales Department for further additional information.

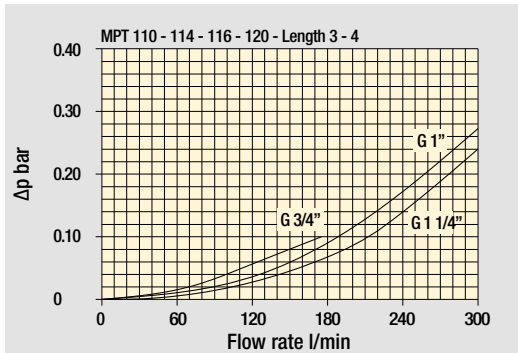
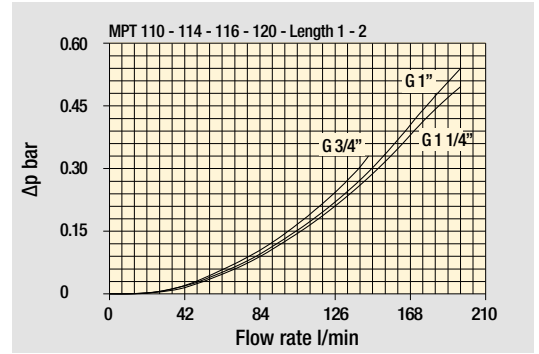
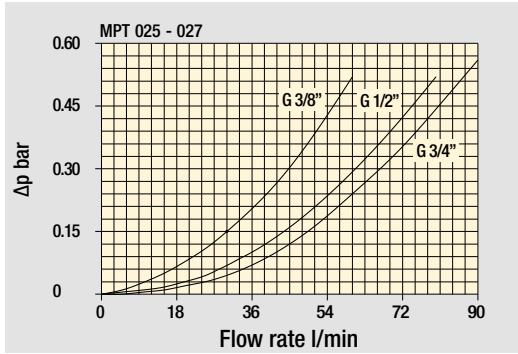
## Hydraulic symbols

Filter series	Style 1 connection	Style 2 connections	Style 3 connections
<b>MPT 025</b>	•	-	-
<b>MPT 027</b>	•	-	-
<b>MPT 110</b>	-	•	-
<b>MPT 114</b>	•	-	-
<b>MPT 116</b>	•	-	-
<b>MPT 120</b>	-	-	•

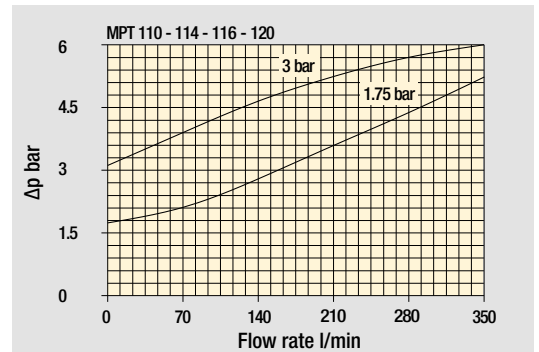
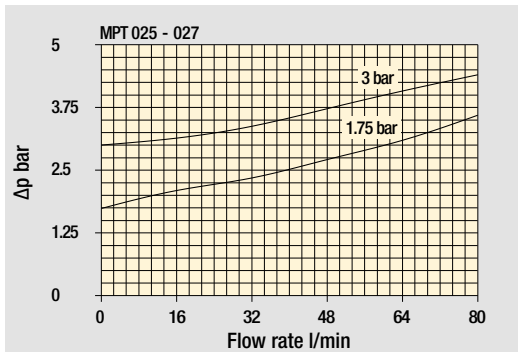


## Pressure drop

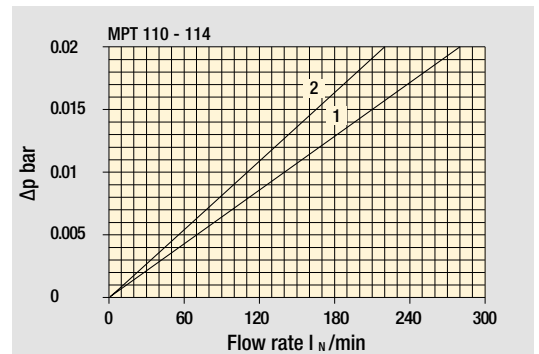
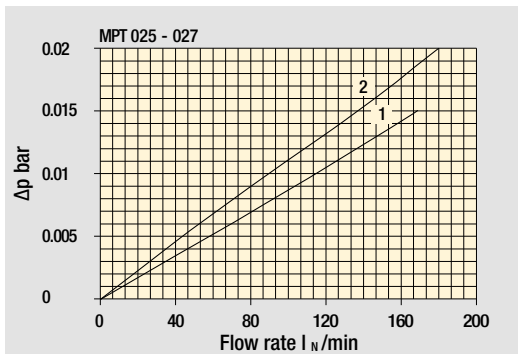
### Filter housings $\Delta p$ pressure drop



### Bypass valve pressure drop



### Air breather pressure drop







- 1  C With air breather 10  $\mu$ m
- 2  D With anti-splash and SAP50 10  $\mu$ m

The curves are plotted using mineral oil with density of 0.86 kg/dm<sup>3</sup> in compliance with ISO 3968.  $\Delta p$  varies proportionally with density.



MPT 025 -027		
Air breather port plugged Indicator port	Air breather standard Indicator port	Anti-splash air breather & pressurized Double indicator port
		

## Multiport - Multifunction

MPT 110	
Standard - Single IN Port	Double IN Port - Double indicator port
	
Double IN Port Option: double drain port	Double IN Port - Indicator port Option: drain port
	

## MPT 120

Triple IN port  
Option: double drain port



# MPT MPT025 - MPT027

## Designation & Ordering code

### COMPLETE FILTER

<b>Series and size</b>		Configuration example 1:		MPT025	1	S	A	G3	A10	E	P01		
<b>MPT025</b>	<b>MPT027</b>	Filter element with standard spigot		Configuration example 2:		MPT027	3	C	W	G6	A03	B	P01
<b>Length</b>													
1		2		3									
<b>Air breather</b>													
<b>S</b>		Without air breather											
<b>C</b>		With air breather 10 µm											
<b>D</b>		With anti-splash and air breather SAP050 10 µm											
<b>P</b>		With anti-splash and air breather SAP050 10 µm, pressurization 0.5 bar											
<b>Seals and treatments</b>													
				Filtration rating									
				Axx		Mxx		Pxx					
<b>A</b>		NBR		•		•		•					
<b>V</b>		FPM		•		•		•					
<b>W</b>		NBR head anodized		•		•		-					
<b>Z</b>		FPM head anodized		•		•		-					
				filter element compatible with fluids HFA-HFB-HFC									
<b>Connections</b>													
<b>G1</b>		G 3/8"		<b>G6</b>		3/4" NPT							
<b>G2</b>		G 1/2"		<b>G7</b>		SAE 6 - 9/16" - 18 UNF							
<b>G3</b>		G 3/4"		<b>G8</b>		SAE 8 - 3/4" - 16 UNF							
<b>G4</b>		3/8" NPT		<b>G9</b>		SAE 12 - 1 1/16" - 12 UN							
<b>G5</b>		1/2" NPT											
<b>Filtration rating (filter media)</b>													
<b>A03</b>		Inorganic microfiber 3 µm		<b>M25</b>		Wire mesh 25 µm							
<b>A06</b>		Inorganic microfiber 6 µm		<b>M60</b>		Wire mesh 60 µm							
<b>A10</b>		Inorganic microfiber 10 µm		<b>M90</b>		Wire mesh 90 µm							
<b>A16</b>		Inorganic microfiber 16 µm		<b>P10</b>		Resin impregnated paper 10 µm							
<b>A25</b>		Inorganic microfiber 25 µm		<b>P25</b>		Resin impregnated paper 25 µm							

All filter media except M60, P10 and P25 are compatible with fluids HFA, HFB and HFC

<b>Bypass valve</b>		<b>Execution</b>	
<b>E</b>	3 bar	<b>P01</b>	MP Filtri standard
<b>B</b>	1.75 bar	<b>Pxx</b>	Customized

### FILTER ELEMENT

<b>Element series and size</b>		Configuration example 1:		MF020	1	A10	H	B	E	P01	
<b>MF020</b>	Filter element with standard spigot	Configuration example 2:		MF020	3	A03	N	B		P01	
<b>Element length</b>											
1		2		3							
<b>Filtration rating (filter media)</b>											
<b>A03</b>		Inorganic microfiber 3 µm		<b>M25</b>		Wire mesh 25 µm					
<b>A06</b>		Inorganic microfiber 6 µm		<b>M60</b>		Wire mesh 60 µm					
<b>A10</b>		Inorganic microfiber 10 µm		<b>M90</b>		Wire mesh 90 µm					
<b>A16</b>		Inorganic microfiber 16 µm		<b>P10</b>		Resin impregnated paper 10 µm					
<b>A25</b>		Inorganic microfiber 25 µm		<b>P25</b>		Resin impregnated paper 25 µm					
<b>Element Δp</b>											
				Filter media							
				Axx		Mxx		Pxx			
<b>N</b>		10 bar		-		•		•			
<b>H</b>		10 bar		•		-		-			
<b>Seals</b>											
<b>B</b>		NBR		<b>Bypass valve</b>		<b>E</b>		3 bar		<b>Execution</b>	
<b>V</b>		FPM		<b>E</b>		3 bar		<b>P01</b>		MP Filtri standard	
				<b>B</b>		1.75 bar		<b>Pxx</b>		Customized	

### CLOGGING INDICATORS

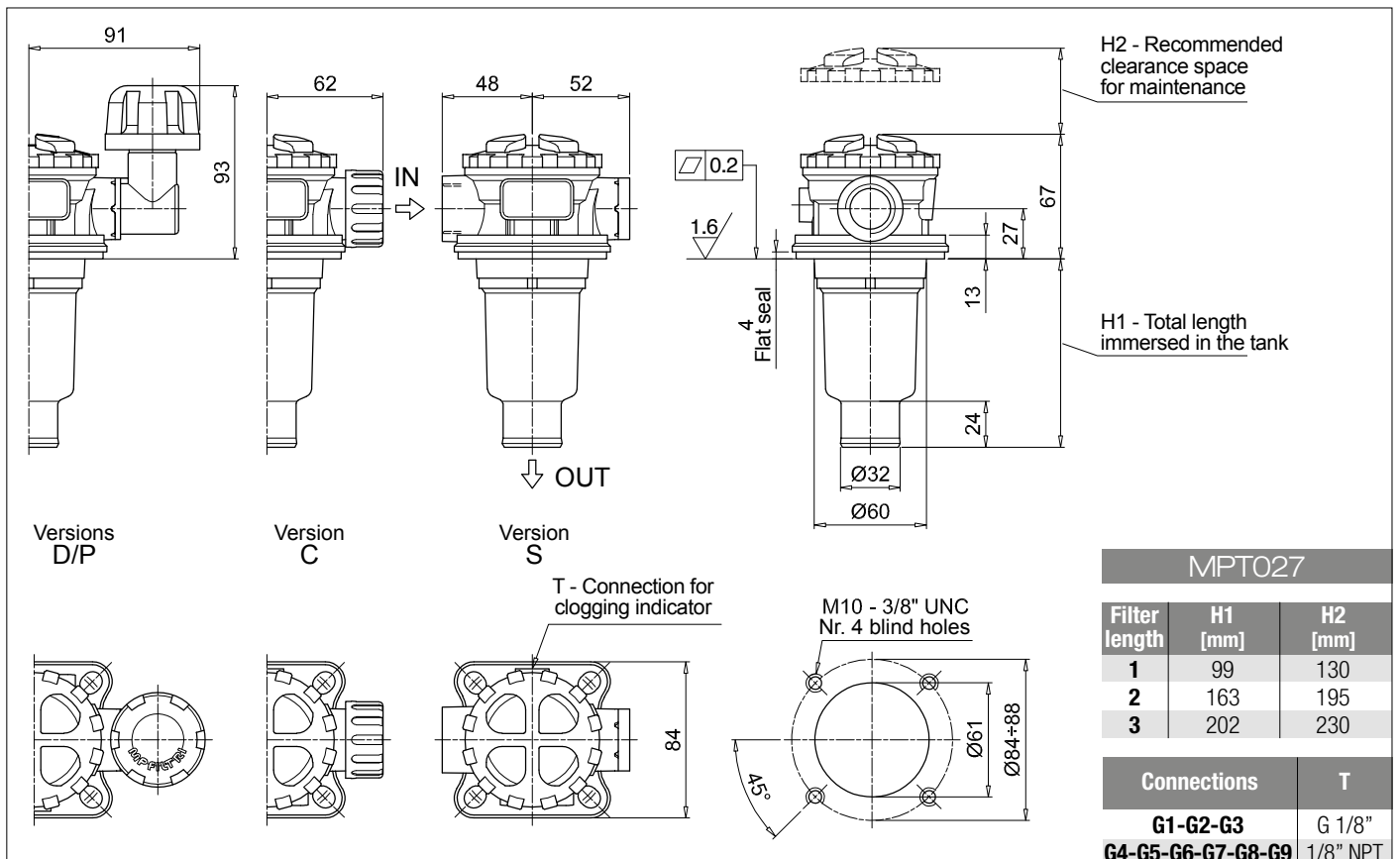
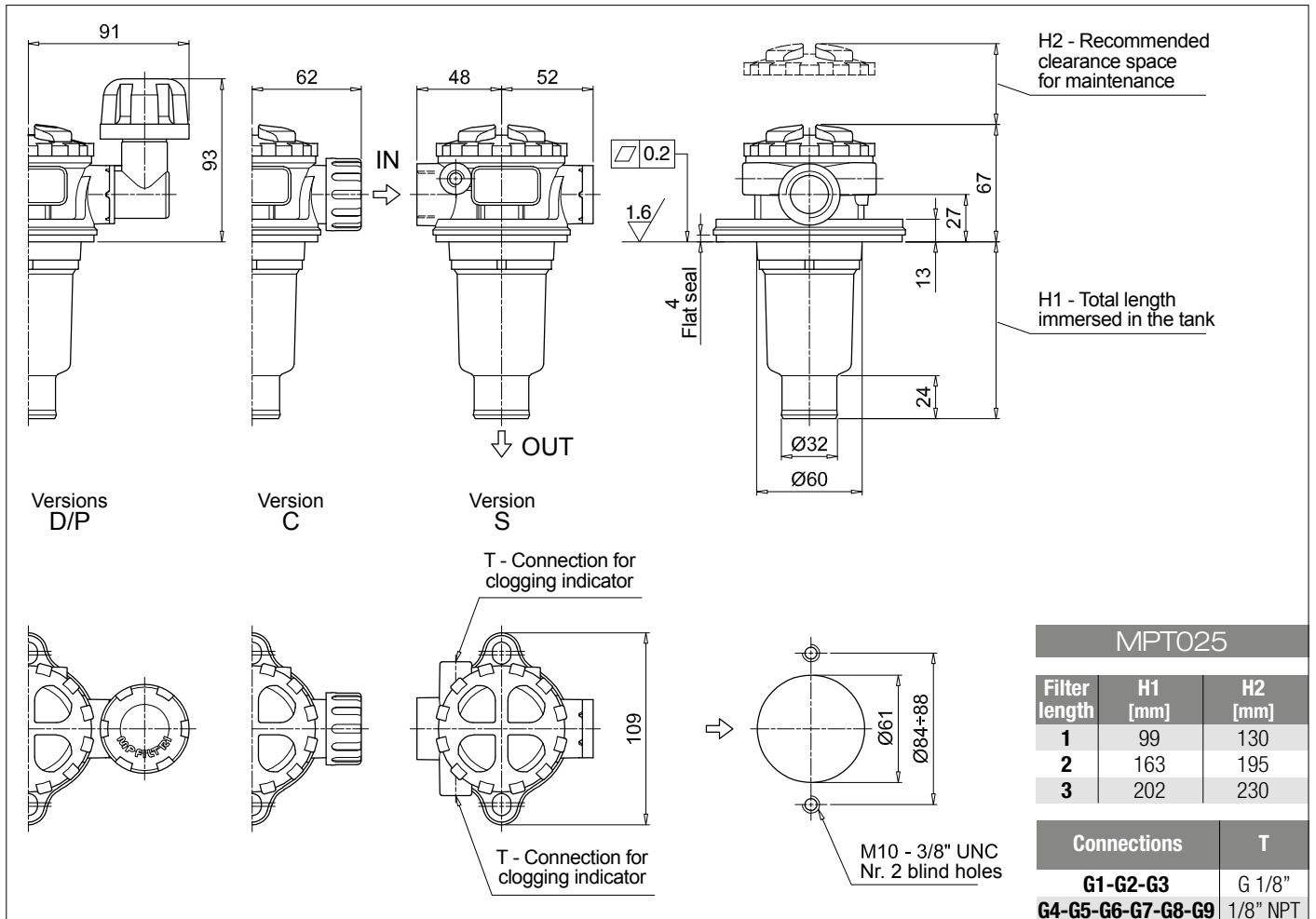
See page 680-681

<b>BVA</b>	Axial pressure gauge	<b>BEA</b>	Electrical pressure indicator
<b>BVR</b>	Radial pressure gauge	<b>BEM</b>	Electrical pressure indicator
<b>BVP</b>	Visual pressure indicator with automatic reset	<b>BLA</b>	Electrical / visual pressure indicator
<b>BVQ</b>	Visual pressure indicator with manual reset		

### ADDITIONAL FEATURES

See page 262

<b>TE</b>	Extension tube
<b>DPT</b>	Dipstick



## Designation & Ordering code

### COMPLETE FILTER

<b>Series and size</b>	Configuration example 1: <b>MPT110</b>   <b>1</b>   <b>S</b>   <b>A</b>   <b>G1</b>   <b>0</b>   <b>A06</b>   <b>E</b>   <b>P01</b>									
<b>MPT110</b> Filter element with standard spigot	Configuration example 2: <b>MPT110</b>   <b>3</b>   <b>P</b>   <b>V</b>   <b>G4</b>   <b>1</b>   <b>M25</b>   <b>B</b>   <b>P01</b>									
<b>Length</b>	<b>1</b>   <b>2</b>   <b>3</b>   <b>4</b>									
<b>Air breather</b>	<b>S</b> Without air breather <b>C</b> With air breather 10 µm <b>D</b> With anti-splash and air breather SAP050 10 µm <b>P</b> With anti-splash and air breather SAP050 10 µm, pressurization 0.5 bar									
<b>Seals and treatments</b>	Filtration rating									
	Axx	Mxx	Pxx							
<b>A</b> NBR	•	•	•							
<b>V</b> FPM	•	•	•							
<b>W</b> NBR head anodized	•	•	-	filter element compatible with fluids HFA-HFB-HFC						
<b>Z</b> FPM head anodized	•	•	-							
<b>Main Connections</b>	<b>Aux size 1</b>	<b>Aux size 2</b>	<b>Main Connections</b>	<b>Aux size 1</b>	<b>Aux size 2</b>					
<b>G1</b> G 3/4"	G 3/8"	G 1/2"	<b>G6</b> 1 1/4" NPT	3/8" NPT	1/2" NPT					
<b>G2</b> G 1"			<b>G7</b> SAE 12 - 1 1/16" - 12 UN	SAE 6 - 9/16" - 18 UNF	SAE 8 - 3/4" - 16 UNF					
<b>G3</b> G 1 1/4"			<b>G8</b> SAE 16 - 1 5/16" - 12 UN							
<b>G4</b> 3/4" NPT	3/8" NPT	1/2" NPT	<b>G9</b> SAE 20 - 1 5/8" - 12 UN							
<b>G5</b> 1" NPT										
<b>Aux connection</b> - see previous table										
<b>0</b> Not machined	<b>1</b> Aux size 1	<b>2</b> Aux size 2								
<b>Filtration rating (filter media)</b>										
<b>A03</b> Inorganic microfiber 3 µm			<b>M25</b> Wire mesh 25 µm							
<b>A06</b> Inorganic microfiber 6 µm			<b>M60</b> Wire mesh 60 µm							
<b>A10</b> Inorganic microfiber 10 µm			<b>M90</b> Wire mesh 90 µm							
<b>A16</b> Inorganic microfiber 16 µm			<b>P10</b> Resin impregnated paper 10 µm							
<b>A25</b> Inorganic microfiber 25 µm			<b>P25</b> Resin impregnated paper 25 µm							

All filter media except M60, P10 and P25 are compatible with fluids HFA, HFB and HFC

<b>Bypass valve</b>	<b>Execution</b>
<b>E</b> 3 bar	<b>P01</b> MP Filtri standard
<b>B</b> 1.75 bar	<b>Pxx</b> Customized

### FILTER ELEMENT

<b>Element series and size</b>	Configuration example 1: <b>MF100</b>   <b>1</b>   <b>A06</b>   <b>H</b>   <b>B</b>   <b>E</b>   <b>P01</b>							
<b>MF100</b> Filter element with standard spigot	Configuration example 2: <b>MF100</b>   <b>3</b>   <b>M25</b>   <b>N</b>   <b>V</b>   <b>P01</b>							
<b>Element length</b>	<b>1</b>   <b>2</b>   <b>3</b>   <b>4</b>							
<b>Filtration rating (filter media)</b>								
<b>A03</b> Inorganic microfiber 3 µm			<b>M25</b> Wire mesh 25 µm					
<b>A06</b> Inorganic microfiber 6 µm			<b>M60</b> Wire mesh 60 µm					
<b>A10</b> Inorganic microfiber 10 µm			<b>M90</b> Wire mesh 90 µm					
<b>A16</b> Inorganic microfiber 16 µm			<b>P10</b> Resin impregnated paper 10 µm					
<b>A25</b> Inorganic microfiber 25 µm			<b>P25</b> Resin impregnated paper 25 µm					
<b>Element Δp</b>	Filter media			<b>Seals</b>		<b>Bypass valve</b>		<b>Execution</b>
	Axx	Mxx	Pxx					
<b>N</b> 10 bar	-	•	•	<b>B</b> NBR		<b>E</b> 3 bar		<b>P01</b> MP Filtri standard
<b>H</b> 10 bar	•	-	-	<b>V</b> FPM		- 1.75 bar		<b>Pxx</b> Customized

### CLOGGING INDICATORS

See page 680-681

<b>BVA</b> Axial pressure gauge	<b>BEA</b> Electrical pressure indicator
<b>BVR</b> Radial pressure gauge	<b>BEM</b> Electrical pressure indicator
<b>BVP</b> Visual pressure indicator with automatic reset	<b>BLA</b> Electrical / visual pressure indicator
<b>BVQ</b> Visual pressure indicator with manual reset	

### ADDITIONAL FEATURES

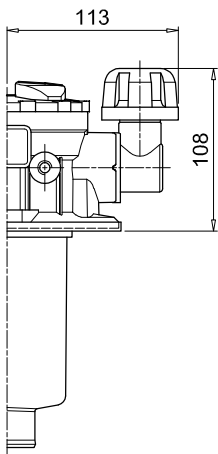
See page 262

<b>TE</b> Extension tube	<b>DPT</b> Dipstick
<b>DFS</b> Diffuser with fast lock connection	

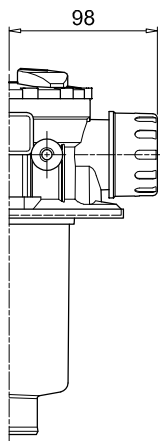
MPT110				
Filter length	H1 [mm]	H2 [mm]	D [mm]	I [mm]
1	97	120	38	4
2	144	170	38	4
3	222	250	47	-
4	324	350	47	2.5

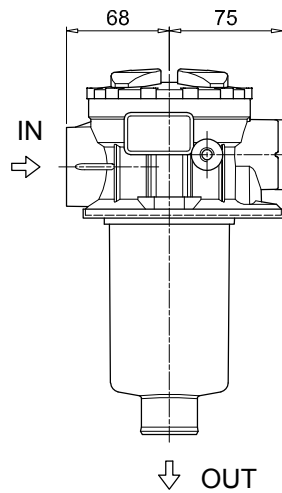
Connections	T
G1-G2-G3	G 1/8"
G4-G5-G6-G7-G8-G9	1/8" NPT



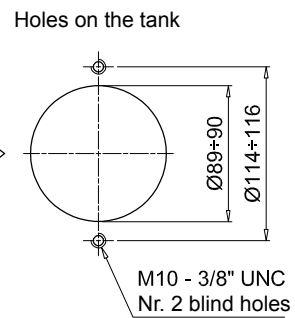
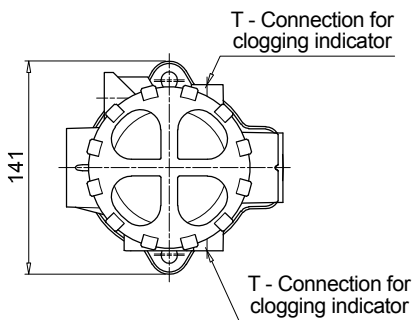
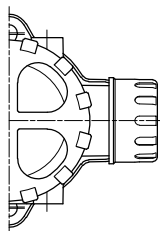
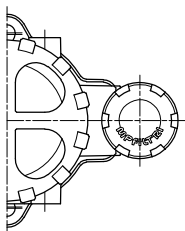
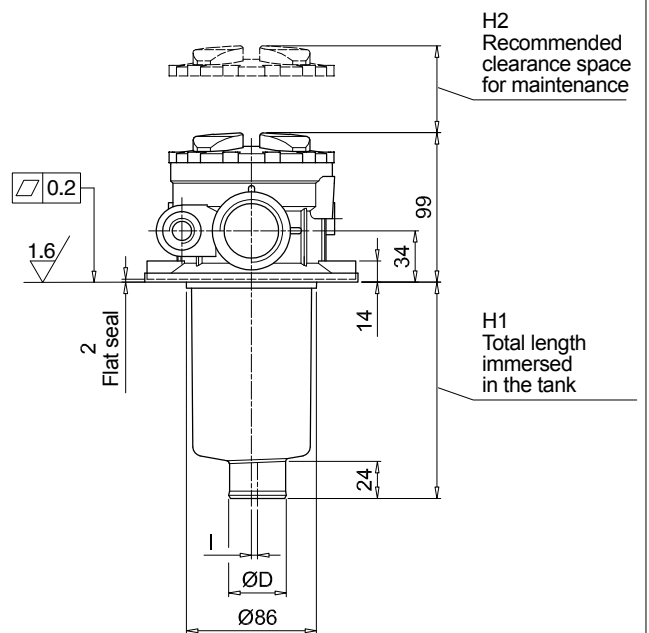
Versions D/P



Version C



Version S



## Designation & Ordering code

### COMPLETE FILTER

<b>Series and size</b>	Configuration example 1:	MPT114	4	S	A	G3	A10	E	P01
<b>MPT114</b> Filter element with standard spigot	Configuration example 2:	MPT114	3	C	W	G6	A03	B	P01

<b>Length</b>	
1   2   3   4	

<b>Air breather</b>	
<b>S</b> Without air breather	
<b>C</b> With air breather 10 µm	
<b>D</b> With anti-splash and air breather SAP050 10 µm	
<b>P</b> With anti-splash and air breather SAP050 10 µm pressurization 0.5 bar	

<b>Seals and treatments</b>		<b>Filtration rating</b>	
<b>A</b> NBR		Axx	Mxx
<b>V</b> FPM			Pxx
<b>W</b> NBR head anodized	filter element compatible with fluids HFA-HFB-HFC		
<b>Z</b> FPM head anodized			

<b>Connections</b>	
<b>G1</b> G 3/4"	<b>G6</b> 1 1/4" NPT
<b>G2</b> G 1"	<b>G7</b> SAE 12 - 1 1/16" - 12 UN
<b>G3</b> G 1 1/4"	<b>G8</b> SAE 16 - 1 5/16" - 12 UN
<b>G4</b> 3/4" NPT	<b>G9</b> SAE 20 - 1 5/8" - 12 UN
<b>G5</b> 1" NPT	

<b>Filtration rating (filter media)</b>	
<b>A03</b> Inorganic microfiber 3 µm	<b>M25</b> Wire mesh 25 µm
<b>A06</b> Inorganic microfiber 6 µm	<b>M60</b> Wire mesh 60 µm
<b>A10</b> Inorganic microfiber 10 µm	<b>M90</b> Wire mesh 90 µm
<b>A16</b> Inorganic microfiber 16 µm	<b>P10</b> Resin impregnated paper 10 µm
<b>A25</b> Inorganic microfiber 25 µm	<b>P25</b> Resin impregnated paper 25 µm

All filter media except M60, P10 and P25 are compatible with fluids HFA, HFB and HFC

<b>Bypass valve</b>	<b>Execution</b>
<b>E</b> 3 bar	<b>P01</b> MP Filtri standard
<b>B</b> 1.75 bar	<b>Pxx</b> Customized

### FILTER ELEMENT

<b>Element series and size</b>	Configuration example 2:	MF100	4	A10	H	B	E	P01
<b>MF100</b> Filter element with standard spigot	Configuration example 1:	MF100	3	A03	N	B		P01

<b>Element length</b>	
1   2   3   4	

<b>Filtration rating (filter media)</b>	
<b>A03</b> Inorganic microfiber 3 µm	<b>M25</b> Wire mesh 25 µm
<b>A06</b> Inorganic microfiber 6 µm	<b>M60</b> Wire mesh 60 µm
<b>A10</b> Inorganic microfiber 10 µm	<b>M90</b> Wire mesh 90 µm
<b>A16</b> Inorganic microfiber 16 µm	<b>P10</b> Resin impregnated paper 10 µm
<b>A25</b> Inorganic microfiber 25 µm	<b>P25</b> Resin impregnated paper 25 µm

<b>Element Δp</b>		<b>Filter media</b>	
<b>N</b> 10 bar		Axx	Mxx
<b>H</b> 10 bar			Pxx

<b>Seals</b>	<b>Bypass valve</b>	<b>Execution</b>
<b>B</b> NBR	<b>E</b> 3 bar	<b>P01</b> MP Filtri standard
<b>V</b> FPM	- 1.75 bar	<b>Pxx</b> Customized

### CLOGGING INDICATORS

See page 680-681

<b>BVA</b> Axial pressure gauge	<b>BEA</b> Electrical pressure indicator
<b>BVR</b> Radial pressure gauge	<b>BEM</b> Electrical pressure indicator
<b>BVP</b> Visual pressure indicator with automatic reset	<b>BLA</b> Electrical / visual pressure indicator
<b>BVQ</b> Visual pressure indicator with manual reset	

### ADDITIONAL FEATURES

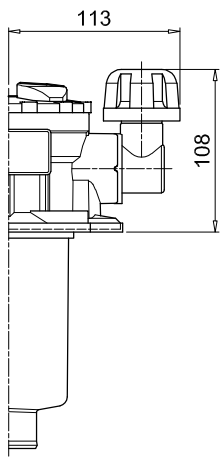
See page 262

<b>TE</b> Extension tube	<b>DPT</b> Dipstick
<b>DFS</b> Diffuser with fast lock connection	

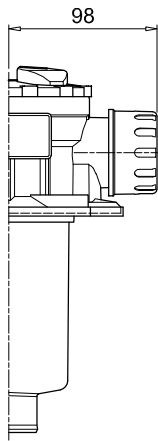
MPT114				
Filter length	H1 [mm]	H2 [mm]	D [mm]	I [mm]
1	97	120	38	4
2	144	170	38	4
3	222	250	47	-
4	324	350	47	2.5

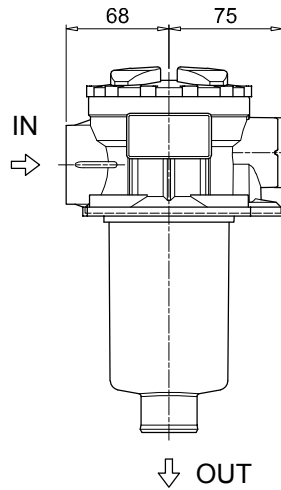
Connections	T
G1-G2-G3	G 1/8"
G4-G5-G6-G7-G8-G9	1/8" NPT



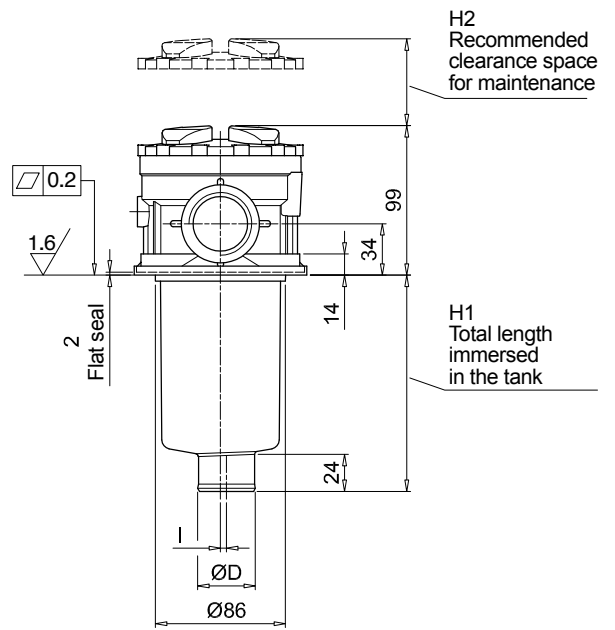
Versions D/P



Version C

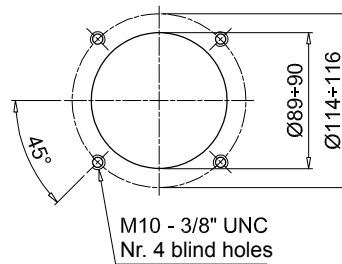
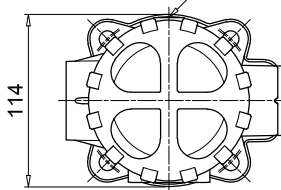
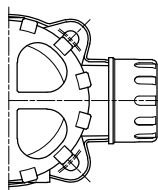
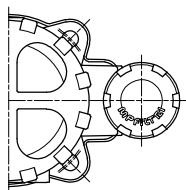


Version S



T - Connection for clogging indicator

Holes on the tank



## Designation & Ordering code

### COMPLETE FILTER

<b>Series and size</b>	Configuration example 1:	MPT116	1	S	A	G1	M90	E	P01
<b>MPT116</b> Filter element with standard spigot	Configuration example 2:	MPT116	2	S	Z	G9	A03	B	P01

<b>Length</b>	
1   2   3   4	

<b>Air breather</b>	
S Without air breather	

Seals and treatments	Filtration rating		
	Axx	Mxx	Pxx
A NBR	•	•	•
V FPM	•	•	•
W NBR head anodized	•	•	-
Z FPM head anodized	•	•	-

Flat seal on the head on request

<b>Connections</b>	
G1 G 3/4"	G6 1 1/4" NPT
G2 G 1"	G7 SAE 12 - 1 1/16" - 12 UN
G3 G 1 1/4"	G8 SAE 16 - 1 5/16" - 12 UN
G4 3/4" NPT	G9 SAE 20 - 1 5/8" - 12 UN
G5 1" NPT	

<b>Filtration rating (filter media)</b>	
A03 Inorganic microfiber 3 µm	M25 Wire mesh 25 µm
A06 Inorganic microfiber 6 µm	M60 Wire mesh 60 µm
A10 Inorganic microfiber 10 µm	M90 Wire mesh 90 µm
A16 Inorganic microfiber 16 µm	P10 Resin impregnated paper 10 µm
A25 Inorganic microfiber 25 µm	P25 Resin impregnated paper 25 µm

All filter media except M60, P10 and P25 are compatible with fluids HFA, HFB and HFC

<b>Bypass valve</b>	<b>Execution</b>
E 3 bar	P01 MP Filtri standard
B 1.75 bar	Pxx Customized

### FILTER ELEMENT

<b>Element series and size</b>	Configuration example 2:	MF100	1	M90	N	B	E	P01
<b>MF100</b> Filter element with standard spigot	Configuration example 1:	MF100	2	A03	H	V		P01

<b>Element length</b>	
1   2   3   4	

<b>Filtration rating (filter media)</b>	
A03 Inorganic microfiber 3 µm	M25 Wire mesh 25 µm
A06 Inorganic microfiber 6 µm	M60 Wire mesh 60 µm
A10 Inorganic microfiber 10 µm	M90 Wire mesh 90 µm
A16 Inorganic microfiber 16 µm	P10 Resin impregnated paper 10 µm
A25 Inorganic microfiber 25 µm	P25 Resin impregnated paper 25 µm

Element Δp	Filter media		
	Axx	Mxx	Pxx
N 10 bar	-	•	•
H 10 bar	•	-	-

<b>Seals</b>	<b>Bypass valve</b>	<b>Execution</b>
B NBR	E 3 bar	P01 MP Filtri standard
V FPM	- 1.75 bar	Pxx Customized

### CLOGGING INDICATORS

See page 680-681

<b>BVA</b> Axial pressure gauge	<b>BEA</b> Electrical pressure indicator
<b>BVR</b> Radial pressure gauge	<b>BEM</b> Electrical pressure indicator
<b>BVP</b> Visual pressure indicator with automatic reset	<b>BLA</b> Electrical / visual pressure indicator
<b>BVQ</b> Visual pressure indicator with manual reset	

### ADDITIONAL FEATURES

See page 262

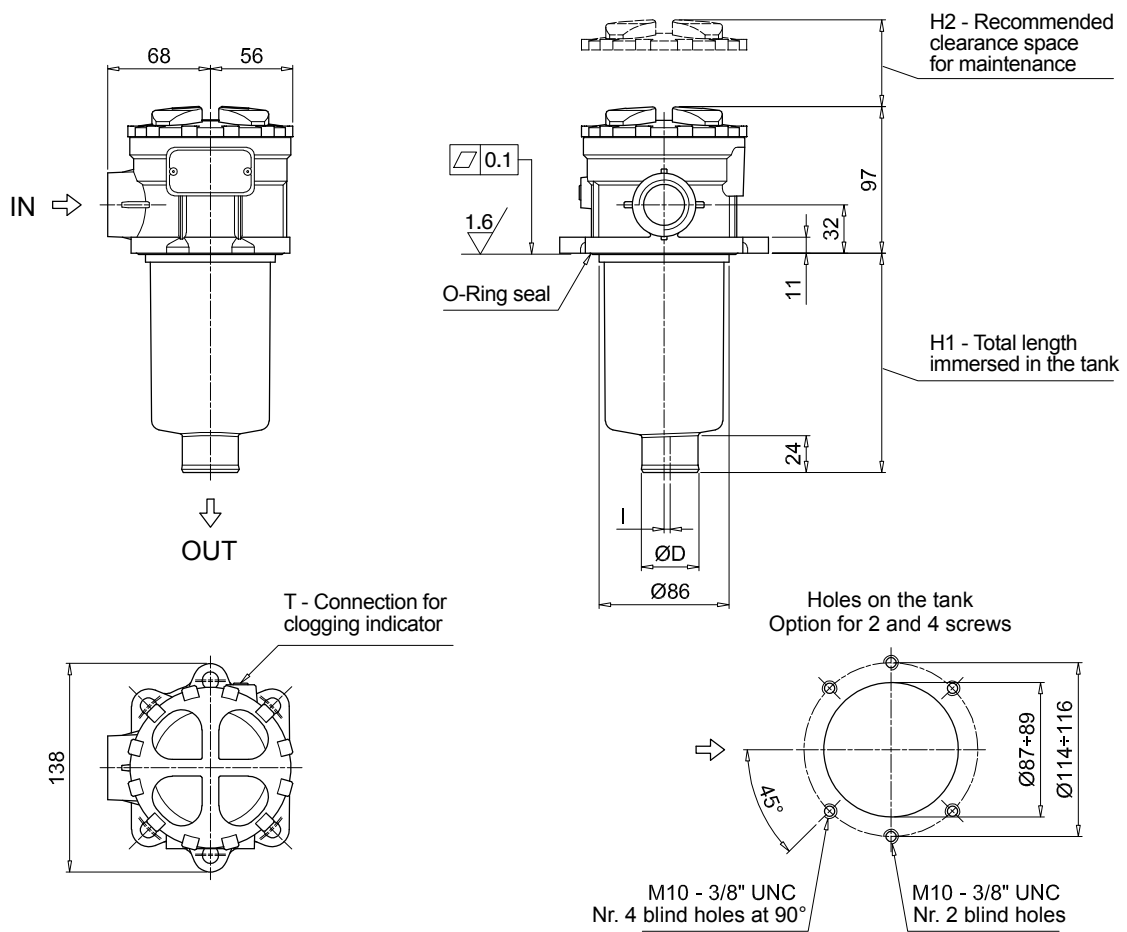
<b>TE</b> Extension tube	<b>DPT</b> Dipstick
<b>DFS</b> Diffuser with fast lock connection	



MPT116				
Filter length	H1 [mm]	H2 [mm]	D [mm]	I [mm]
1	99	120	38	4
2	146	170	38	4
3	224	250	47	-
4	326	350	47	2.5

Connections	T
G1-G2-G3	G 1/8"
G4-G5-G6-G7-G8-G9	1/8" NPT



## Designation & Ordering code

### COMPLETE FILTER

<b>Series and size</b>	Configuration example 1:	MPT120	1	A	G1	0	A06	E	P01
<b>MPT120</b> Filter element with standard spigot	Configuration example 2:	MPT120	3	V	G4	1	M25	B	P01

<b>Length</b>	1	2	3	4
---------------	---	---	---	---

Seals and treatments	Filtration rating		
	Axx	Mxx	Pxx
<b>A</b> NBR	•	•	•
<b>V</b> FPM	•	•	•
<b>W</b> NBR head anodized	•	•	-
<b>Z</b> FPM head anodized	•	•	-

Main Connections	Rear connections	Aux size 1	Aux size 2
<b>G1</b> G 3/4"	G 3/4"	G 3/8"	G 1/2"
<b>G2</b> G 1"	G 1"		
<b>G3</b> G 1 1/4"	G 3/4"		
<b>G4</b> 3/4" NPT	3/4" NPT	3/8" NPT	1/2" NPT
<b>G5</b> 1" NPT	1" NPT		
<b>G6</b> 1 1/4" NPT	3/4" NPT	SAE 6 - 9/16" - 18 UNF	SAE 8 - 3/4" - 16 UNF
<b>G7</b> SAE 12 - 1 1/16" - 12 UN	SAE 12 - 1 1/16" - 12 UN		
<b>G8</b> SAE 16 - 1 5/16" - 12 UN	SAE 16 - 1 5/16" - 12 UN		
<b>G9</b> SAE 20 - 1 5/8" - 12 UN	SAE 12 - 1 1/16" - 12 UN		

<b>Aux connection</b> - see previous table	0	1	2
Not machined	Aux size 1	Aux size 2	

Filtration rating (filter media)	
<b>A03</b> Inorganic microfiber 3 µm	<b>M25</b> Wire mesh 25 µm
<b>A06</b> Inorganic microfiber 6 µm	<b>M60</b> Wire mesh 60 µm
<b>A10</b> Inorganic microfiber 10 µm	<b>M90</b> Wire mesh 90 µm
<b>A16</b> Inorganic microfiber 16 µm	<b>P10</b> Resin impregnated paper 10 µm
<b>A25</b> Inorganic microfiber 25 µm	<b>P25</b> Resin impregnated paper 25 µm

All filter media except M60, P10 and P25 are compatible with fluids HFA, HFB and HFC

Bypass valve	Execution
<b>E</b> 3 bar	<b>P01</b> MP Filtri standard
<b>B</b> 1.75 bar	<b>Pxx</b> Customized

### FILTER ELEMENT

<b>Element series and size</b>	Configuration example 1:	MF100	1	A06	H	B	E	P01
<b>MF100</b> Filter element with standard spigot	Configuration example 2:	MF100	3	M25	N	V		P01

<b>Element length</b>	1	2	3	4
-----------------------	---	---	---	---

Filtration rating (filter media)	
<b>A03</b> Inorganic microfiber 3 µm	<b>M25</b> Wire mesh 25 µm
<b>A06</b> Inorganic microfiber 6 µm	<b>M60</b> Wire mesh 60 µm
<b>A10</b> Inorganic microfiber 10 µm	<b>M90</b> Wire mesh 90 µm
<b>A16</b> Inorganic microfiber 16 µm	<b>P10</b> Resin impregnated paper 10 µm
<b>A25</b> Inorganic microfiber 25 µm	<b>P25</b> Resin impregnated paper 25 µm

Element Δp	Filter media		
	Axx	Mxx	Pxx
<b>N</b> 10 bar	-	•	•
<b>H</b> 10 bar	•	-	-

Seals	Bypass valve	Execution
<b>B</b> NBR	<b>E</b> 3 bar	<b>P01</b> MP Filtri standard
<b>V</b> FPM	- 1.75 bar	<b>Pxx</b> Customized

### CLOGGING INDICATORS

See page 680-681

<b>BVA</b> Axial pressure gauge	<b>BEA</b> Electrical pressure indicator
<b>BVR</b> Radial pressure gauge	<b>BEM</b> Electrical pressure indicator
<b>BVP</b> Visual pressure indicator with automatic reset	<b>BLA</b> Electrical / visual pressure indicator
<b>BVQ</b> Visual pressure indicator with manual reset	

### ADDITIONAL FEATURES

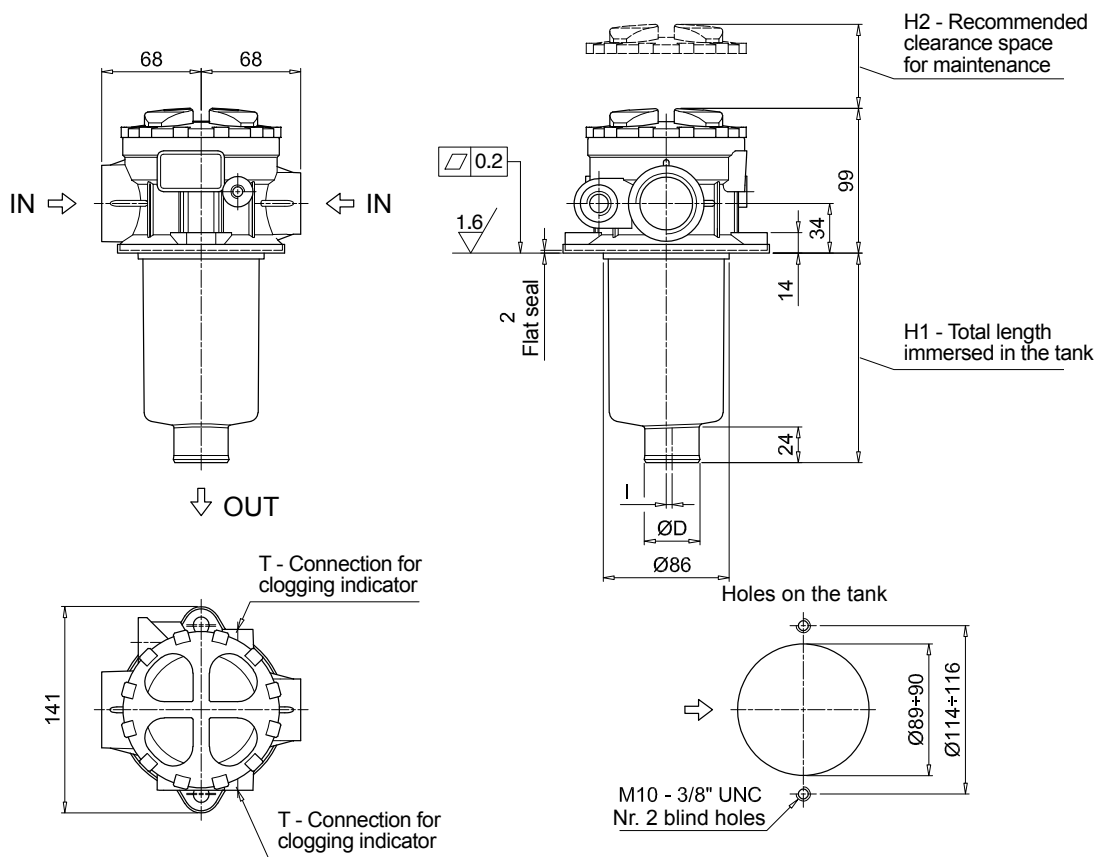
See page 262

<b>TE</b> Extension tube	<b>DPT</b> Dipstick
<b>DFS</b> Diffuser with fast lock connection	

MPT120				
Filter length	H1 [mm]	H2 [mm]	D [mm]	I [mm]
<b>1</b>	97	120	38	4
<b>2</b>	147	170	38	4
<b>3</b>	222	250	47	-
<b>4</b>	324	350	47	2.5

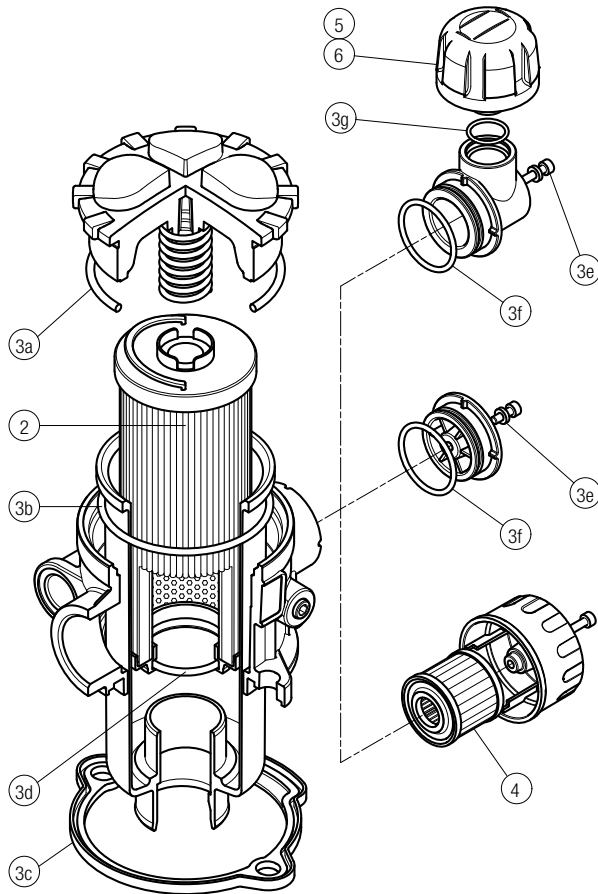
Connections	T
<b>G1-G2-G3</b>	G 1/8"
<b>G4-G5-G6-G7-G8-G9</b>	1/8" NPT



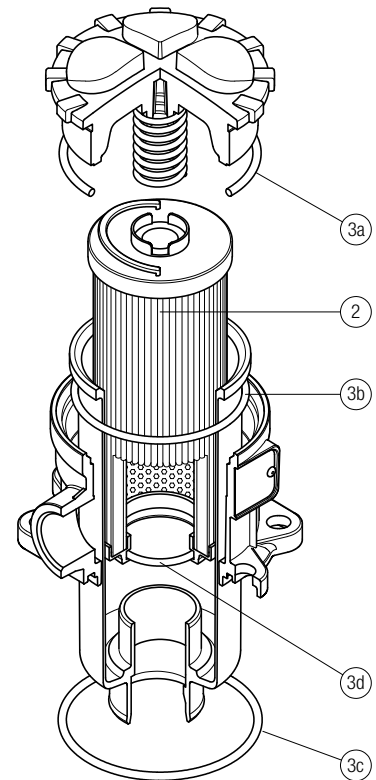
# MPT SPARE PARTS

Order number for spare parts

MPT 025 - 027 - 110



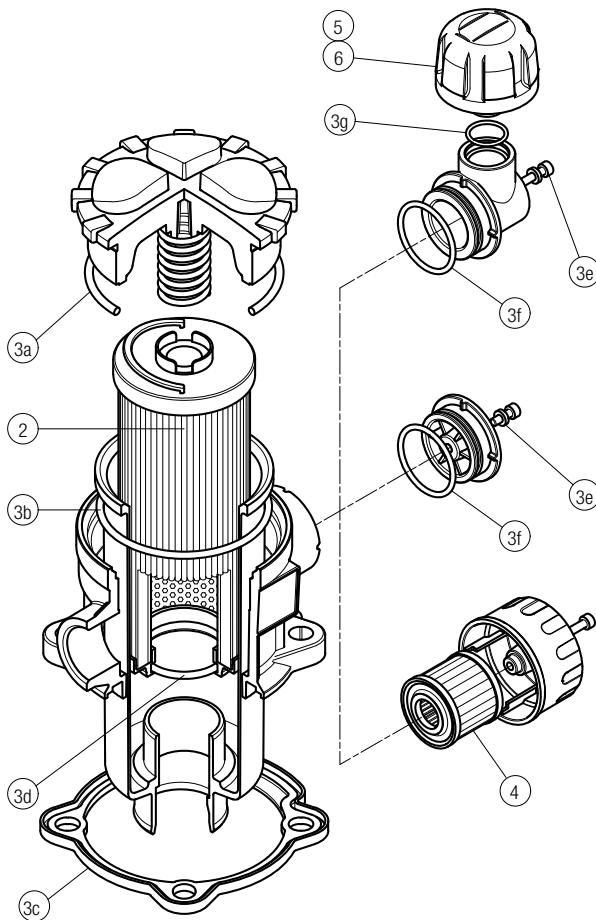
MPT 116



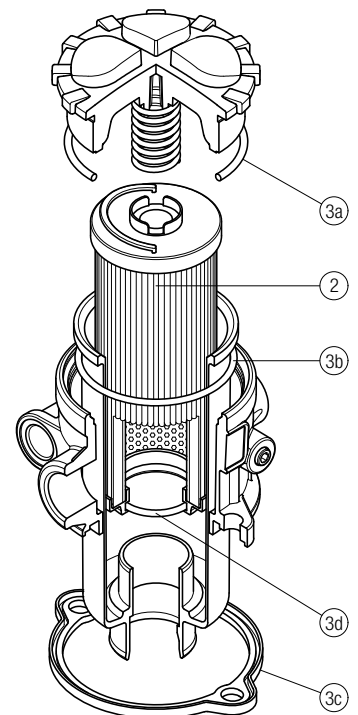
Item:	Q.ty: 1 pc.	Q.ty: 1 pc.	Q.ty: 1 pc.	Q.ty: 1 pc.	Q.ty: 1 pc.	
Filter series	Filter element	Seal Kit code number		C	D	P
		NBR	FPM			
MPT 025	See order table	02050557	02050558	10 µm A3L03	10 µm SAP50G3L03A0P01	10 µm SAP50G3L03A1P01
MPT 027		02050559	02050560	10 µm A3L03	10 µm SAP50G3L03A0P01	10 µm SAP50G3L03A1P01
MPT 110		02050561	02050562	10 µm A5L03	10 µm SAP50G3L03A0P01	10 µm SAP50G3L03A1P01

Item:	Q.ty: 1 pc.	Q.ty: 1 pc.	
Filter series	Filter element	Seal Kit code number	
		NBR	FPM
MPT 116	See order table	02050466	02050467

**MPT 114**



**MPT 120**



Item:	Q.ty: 1 pc.	Q.ty: 1 pc.	Q.ty: 1 pc.	Q.ty: 1 pc.	Q.ty: 1 pc.	
Filter series	Filter element	Seal Kit code number	Air breather filter element - version:			
		NBR	FPM	C	D	P
<b>MPT 114</b>	See order table	02050580	02050581	10 µm A5L03	10 µm SAP50G3L03A0P01	10 µm SAP50G3L03A1P01

Item:	Q.ty: 1 pc.	Q.ty: 1 pc.	
Filter series	Filter element	Seal Kit code number	
		NBR	FPM
<b>MPT 120</b>	See order table	02050563	02050564



# MFB series

BOWL ASSEMBLY

Maximum working pressure up to 800 kPa (8 bar) - Flow rate up to 700 l/min



## Description

## Technical data

### Return filter Bowl assembly

**Maximum working pressure up to 800 kPa (8 bar)**

**Flow rate up to 700 l/min**

MFB is a range of return filter kits for protection of the reservoir against the system contamination.

They are directly integrated in the moulded reservoir in immersed or semi-immersed position to save space into the tank.

Treaded or flanged covers can be provided.

The filter output must be always immersed into the fluid to avoid aeration or foam generation into the reservoir.

#### Available features:

- Fine filtration rating, to get a good cleanliness level into the reservoir
- Bypass valve integrated into the filter element, to relieve excessive pressure drop across the filter media
- Extension tube, to be used in deep reservoirs (sold as separate item)
- Diffuser, to reduce the risk of aeration, foaming and noise (sold as separate item)

#### Common applications:

Mobile machines

#### Bowl assembly materials

- Cover  
Polyamide: MFB 020-030-100  
Aluminium: MFB 180-190

- Bowl: Polyamide

#### Filter element materials

- Caps: Polyamide
- Spring: Spring steel

#### Bypass valve

- Opening pressure 175 kPa (1.75 bar)  $\pm 10\%$
- Opening pressure 300 kPa (3 bar)  $\pm 10\%$

#### $\Delta p$ element type

- Microfibre filter elements - series H: 10 bar
- Fluid flow through the filter element from OUT to IN

#### Seals

- Standard NBR series A
- Optional FPM series V

#### Temperature

From -25 °C to +110 °C

#### Note

MFB filters are provided for vertical mounting

## Weights [kg] and volumes [dm<sup>3</sup>]

Filter series	Weights [kg]					Volumes [dm <sup>3</sup> ]				
	Length	1	2	3	4	Length	1	2	3	4
<b>MFB 020</b>		0.25	0.35	0.40	-		0.10	0.15	0.20	-
<b>MFB 030</b>		0.25	-	-	-		0.15	-	-	-
<b>MFB 100</b>		0.50	0.60	0.75	0.95		0.35	0.50	0.80	1.10
<b>MFB 180</b>		1.60	2.40	-	-		1.50	2.90	-	-
<b>MFB 190</b>		-	2.40	-	-		-	3.00	-	-



Filter series	Length	Filter element design - H series					Filter element design - N series		
		A03	A06	A10	A16	A25	M25 M60 M90	P10	P25
MFB 020	1	7	10	23	28	42	59	51	54
	2	17	20	45	48	56	72	64	67
	3	21	24	50	55	59	76	74	75
MFB 030	1	7	10	24	29	47	84	60	66
MFB 100	1	18	20	53	56	65	153	87	96
	2	28	38	65	75	95	158	111	123
	3	48	55	125	135	169	289	224	251
	4	79	89	180	185	198	306	264	289
MFB 180	1	127	148	235	243	278	441	285	299
	2	231	262	358	382	388	472	404	412
MFB 190	2	261	305	489	528	546	696	583	598

### Maximum flow rate for a complete return filter with a pressure drop $\Delta p = 0.5$ bar.

The reference fluid has a kinematic viscosity of 30 mm<sup>2</sup>/s (cSt) and a density of 0.86 kg/dm<sup>3</sup>.

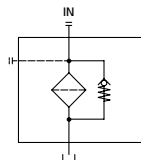
For different pressure drop or fluid viscosity we recommend to use our selection software available on [www.mpfiltri.com](http://www.mpfiltri.com).

You can also calculate the right size using the formulas present on the FILTER SIZING paragraph at the beginning of the full catalogue or at the beginning of the filter family brochure.

Please, contact our Sales Department for further additional information.

## Hydraulic symbols

Filter series	Style 1 connection
MFB 020	•
MFB 030	•
MFB 100	•
MFB 180	•
MFB 190	•



# MFB MFB020 - MFB030 - MFB100 - MFB180 - MFB190

## Designation & Ordering code

### COMPLETE FILTER

Series and size						Configuration example 1: MFB100 1 A 2 A10 H E P01							
MFB020   MFB030   MFB100   MFB180   MFB190						Configuration example 2: MFB180 2 V 1 M25 N B P01							
Filter element with private spigot													
Length	MFB020	MFB030	MFB100	MFB180	MFB190								
1	•	•	•	•	-								
2	•	-	•	•	•								
3	•	-	•	-	-								
4	-	-	•	-	-								
Seals													
A NBR													
V FPM													
Version													
1 Without cover	•	•	•	•	•								
2 With flanged cover type MPF	-	•	•	•	•								
3 With threaded cover type MPT	•	-	•	-	-								
Filtration rating (filter media)													
A03 Inorganic microfiber 3 µm						M25 Wire mesh 25 µm							
A06 Inorganic microfiber 6 µm						M60 Wire mesh 60 µm							
A10 Inorganic microfiber 10 µm						M90 Wire mesh 90 µm							
A16 Inorganic microfiber 16 µm						P10 Resin impregnated paper 10 µm							
A25 Inorganic microfiber 25 µm						P25 Resin impregnated paper 25 µm							
Element Δp						Filter media							
N 10 bar						Axx	Mxx	Pxx					
H 10 bar						-	•	•					
									Bypass valve		Execution		
									E 3 bar	P01 MP Filtri standard			
									B 1.75 bar	Pxx Customized			

### FILTER ELEMENT

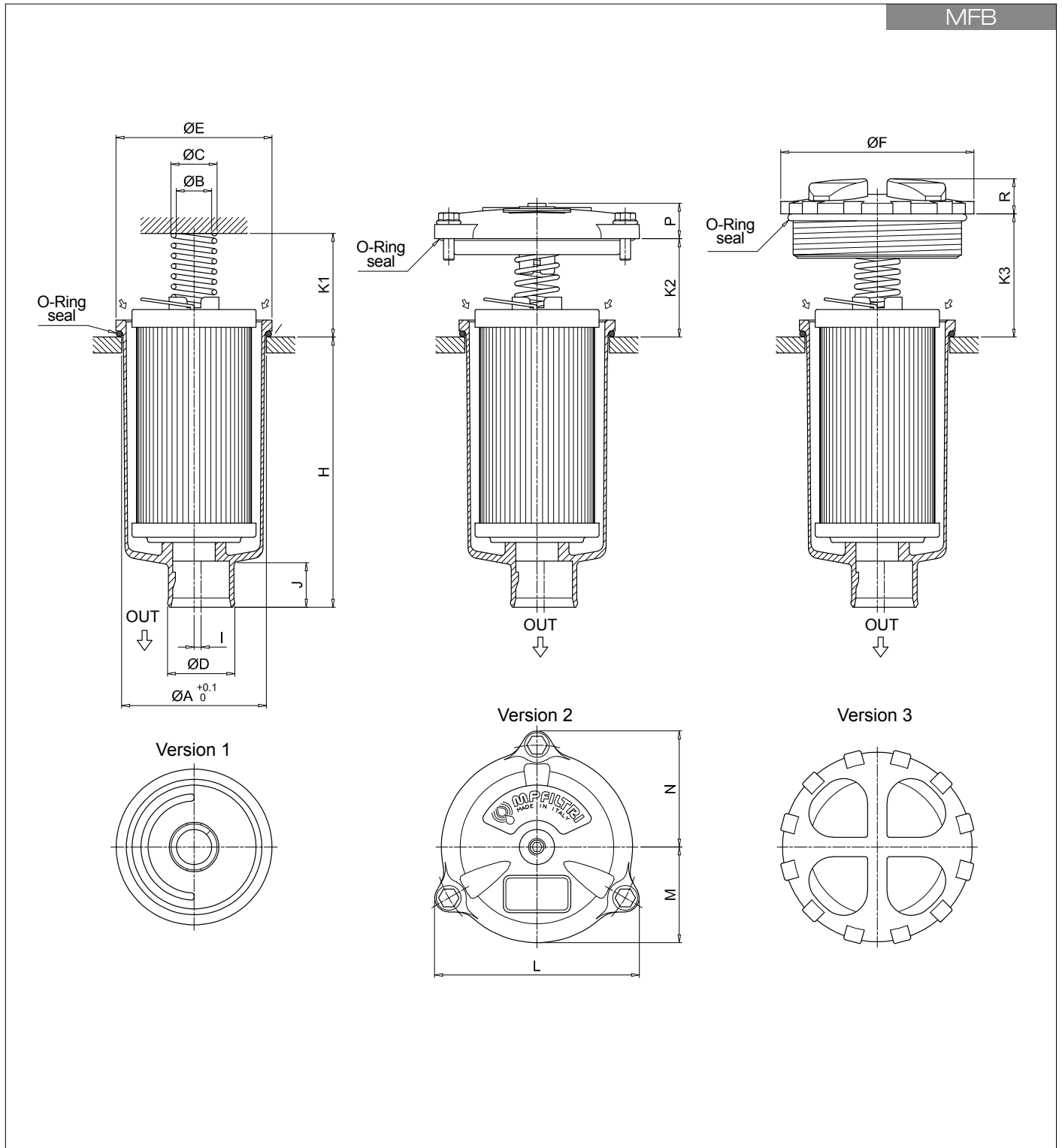
Element series and size						Configuration example 1: MF100 1 A10 H B E P01								
MF020   MF030   MF100   MF180   MF190						Configuration example 2: MF180 2 M25 N V P01								
Filter element with private spigot														
Element length	MF020	MF030	MF100	MF180	MF190									
1	•	•	•	•	-									
2	•	-	•	•	•									
3	•	-	•	-	-									
4	-	-	•	-	-									
Filtration rating (filter media)														
A03 Inorganic microfiber 3 µm						M25 Wire mesh 25 µm								
A06 Inorganic microfiber 6 µm						M60 Wire mesh 60 µm								
A10 Inorganic microfiber 10 µm						M90 Wire mesh 90 µm								
A16 Inorganic microfiber 16 µm						P10 Resin impregnated paper 10 µm								
A25 Inorganic microfiber 25 µm						P25 Resin impregnated paper 25 µm								
Element Δp						Filter media								
N 10 bar						Axx	Mxx	Pxx						
H 10 bar						-	•	•						
									Seals		Bypass valve		Execution	
									B NBR	E 3 bar	P01 MP Filtri standard			
									V FPM	- 1.75 bar	Pxx Customized			

### ACCESSORIES

See page 262

	MFB020	MFB030	MFB100	MFB180	MFB190
TE Extension tube	•	•	•	•	•
DFS Diffuser with fast lock connection	-	-	•	-	-

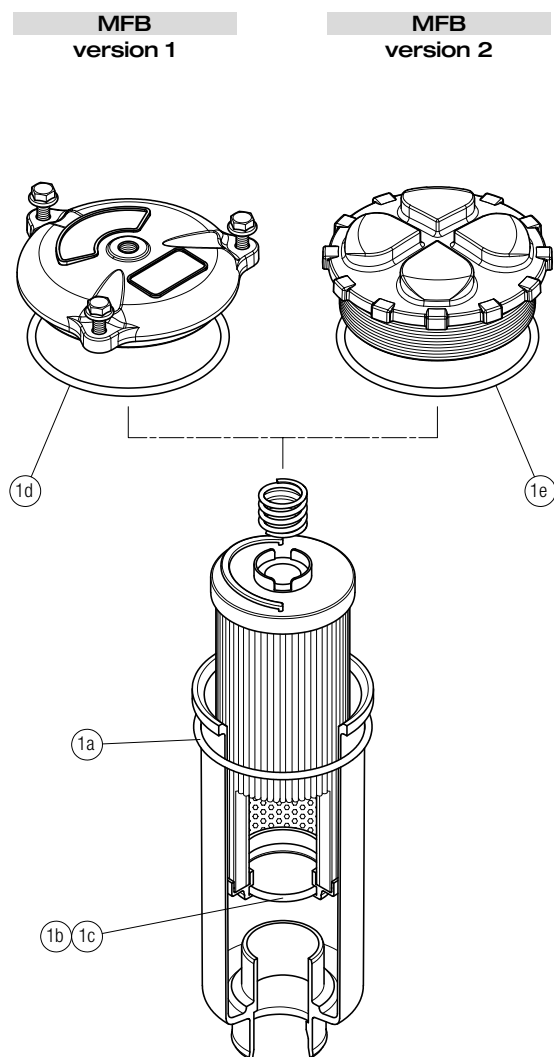
MFB



Filter size	Filter Length	ø A [mm]	ø B [mm]	ø C [mm]	ø D [mm]	ø E [mm]	ø F [mm]	H [mm]	I [mm]	J [mm]	K1 [mm]	K2 [mm]	K3 [mm]	L [mm]	M [mm]	N [mm]	P [mm]	R [mm]
<b>020</b>	1	52	20.5	26	32	56	75	111	0	24	42	-	36	-	-	-	-	18
	2	52	20.5	26	32	56	75	175	0	24	42	-	36	-	-	-	-	18
	3	52	20.5	26	32	56	75	214	0	24	42	-	36	-	-	-	-	18
<b>030</b>	1	60.5	20	25.5	32	68	-	92	3	21	33	35	-	92	42	52	18	-
	1	80.5	20	26	38	88	111	107	4	24	58	55	69	116	54	66	20	20
	2	80.5	20	26	38	88	111	154	4	24	58	55	69	116	54	66	20	20
	3	80.5	20	26	47	88	111	232	0	24	58	55	69	116	54	66	20	20
<b>100</b>	4	80.5	20	26	47	88	111	334	2.5	24	58	55	69	116	54	66	20	20
	1	112.5	26	33.5	47	121	-	234	0	31	58	58	69	159	76	95	21	-
	2	112.5	26	33.5	47	121	-	447	0	31	58	58	69	159	76	95	21	-
	2	112.5	26	33.5	50	121	-	454	0	38	58	58	69	159	76	95	21	-

# MFB SPARE PARTS

Order number for spare parts



Q.ty: 1 pc.		
1 (1a ÷ 1e)		
Item:	Seal Kit code number	
Filter series	NBR	FPM
<b>MFB 020</b>	02050572	02050573
<b>MFB 030</b>	02050574	02050575
<b>MFB 100</b>	02050555	02050556
<b>MFB 180</b>	02050576	02050577
<b>MFB 190</b>	02050578	02050579





# MDH series

Maximum working pressure up to 1 MPa (10 bar) - Flow rate up to 500 l/min



## Description

## Technical data

### Return filter

**Maximum working pressure up to 1 MPa (10 bar)**  
**Flow rate up to 500 l/min**

MDH, is a technically advanced filtration product line for efficient and compact, hydraulic reservoir management. Designed to ensure overall system cleanliness, the filters are either installed in a semi immersed or fully immersed position. This new design reduces the volume of the air coming into the tank space and dramatically reduces the velocity of the air through the filter which in turn allows the separation of the air from the fluid. This insures that the system is protected against the effects caused by air contamination such as incorrect system response, cavitation, foaming and fluid degradation. The filtration from inside to outside allows for a cleaner filter element replacement which insures that any contaminated fluid remains within the used filter element.

### Available features:

- Female threaded connections up to 1 1/2" and flanged connections up to 1 1/2", for a maximum flow rate of 500 l/min
- Multiple connections, to connect several return lines or drains
- Fine filtration rating, to get a good cleanliness level into the reservoir
- Bypass valve, to relieve excessive pressure drop across the filter media
- Flat Seal to suit a variety of reservoir surfaces
- Oil dipstick, to easily check the level of the fluid into the reservoir (separate item)
- Anti-drain membrane, to reduce the volume of air coming to the tank
- Optimized flow path, to reduce the speed of the fluid through the filter
- Diffuser with optimized output, to promote the air separation and to reduce the risk of foaming and noise
- Optional filler plug, to fill cleaned fluid into the tank without an additional plug
- Visual, electrical and electronic clogging indicators and differential clogging indicators

### Common applications:

Heavy duty industrial equipment  
 Large mobile machines with limited space for the tank

### Filter housing materials

- Head and cover: Aluminium
- Anti-drain membrane: Polyamide
- Diffuser: AISI 430
- Valve: Polyamide / Steel

### Bypass valve

- Opening pressure 175 kPa (1.75 bar)  $\pm 10\%$
- Opening pressure 300 kPa (3 bar)  $\pm 10\%$

### $\Delta p$ element type

- Microfibre filter elements - series DH: 10 bar
- Fluid flow through the filter element from IN to OUT

### Seals

- Standard NBR series A
- Optional FPM series V

### Temperature

From -25 °C to +110 °C

### Note

MDH filters are provided for vertical mounting

## Weights [kg] and volumes [dm<sup>3</sup>]

Filter series	Weights [kg]			Volumes [dm <sup>3</sup> ]		
	Length	2	4	Length	2	4
<b>MDH 250</b>		3.80	4.55		4.65	6.90



Filter series	Length	A03	A06	A10	A16	A25	M25 M60 M90	P10	P25
<b>MDH 250</b>	<b>2</b>	134	120	244	255	303	480	326	370
	<b>4</b>	217	256	338	419	487	465	437	694

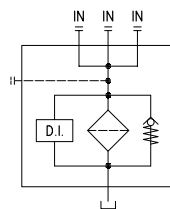
### Maximum flow rate for a complete return filter with a pressure drop $\Delta p = 0.5$ bar.

The reference fluid has a kinematic viscosity of 30 mm<sup>2</sup>/s (cSt) and a density of 0.86 kg/dm<sup>3</sup>.

For different pressure drop or fluid viscosity we recommend to use our selection software available on [www.mpfiltri.com](http://www.mpfiltri.com).

You can also calculate the right size using the formulas present on the FILTER SIZING paragraph at the beginning of the full catalogue or at the beginning of the filter family brochure. Please, contact our Sales Department for further additional information.

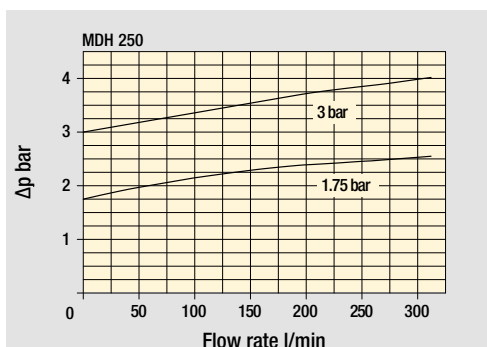
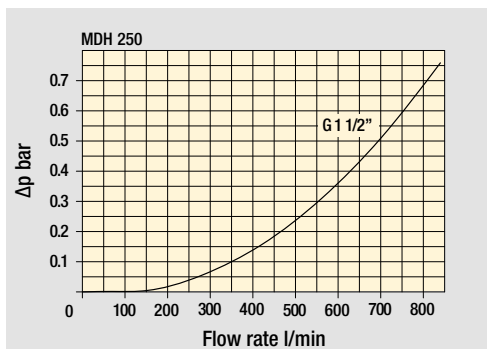
Filter series	Style B
<b>MDH 250</b>	•



Hydraulic symbols

Pressure drop

Filter housings  $\Delta p$  pressure drop



Bypass valve pressure drop

The curves are plotted using mineral oil with density of 0.86 kg/dm<sup>3</sup> in compliance with ISO 3968.  $\Delta p$  varies proportionally with density.

# MDH250

## Designation & Ordering code

### COMPLETE FILTER

Configuration example: **MDH250** | **2** | **C** | **F** | **S** | **A** | **B** | **2** | **A10** | **P01**

**Series and size**  
**MDH250**

**Length**  
**2** | **4**

**Bypass valve**  
**C** 1.75 bar  
**E** 3 bar

**Diffuser**  
**F** With diffuser

**Air breather**  
**S** Without air breather

Seals and treatments		Axx	Mxx	Pxx
<b>A</b>	NBR	•	•	•
<b>V</b>	FPM	•	•	•
<b>W</b>	NBR head anodized	•	•	-
<b>Z</b>	FPM head anodized	•	•	-

**Connections**

	Front	Left	Right
<b>A</b>	G 1 1/2"	1 1/2" SAE 3000 psi/M + G 1 1/4"	1 1/4" SAE 3000 psi/M + G 1"
<b>B</b>	1 1/2" NPT	1 1/2" SAE 3000 psi/UNC + 1 1/4" NPT	1 1/4" SAE 3000 psi/UNC + 1" NPT
<b>C</b>	SAE 24 - 1 7/8" - 12 UN	1 1/2" SAE 3000 psi/UNC + SAE 20 - 1 5/8" - 12 UN	1 1/4" SAE 3000 psi/UNC + SAE 16 - 1 5/16" - 12 UN

**Connection indicator**  
**1** Without connection  
**2** With 2 plugged connections (pressure indicator + differential indicator)

Filtration rating (filter media)	
<b>A03</b>	Inorganic microfiber 3 µm
<b>A06</b>	Inorganic microfiber 6 µm
<b>A10</b>	Inorganic microfiber 10 µm
<b>A16</b>	Inorganic microfiber 16 µm
<b>A25</b>	Inorganic microfiber 25 µm
<b>M25</b>	Wire mesh 25 µm
<b>M60</b>	Wire mesh 60 µm
<b>M90</b>	Wire mesh 90 µm
<b>P10</b>	Resin impregnated paper 10 µm
<b>P25</b>	Resin impregnated paper 25 µm

All filter media except M60, P10 and P25 are compatible with fluids HFA, HFB and HFC

Execution	
<b>P01</b>	MP Filtri standard
<b>Pxx</b>	Customized

### FILTER ELEMENT

Configuration example: **DH250** | **2** | **A10** | **A** | **P01**

**Element series and size**  
**DH250**

**Element length**  
**2** | **4**

Filtration rating (filter media)	
<b>A03</b>	Inorganic microfiber 3 µm
<b>A06</b>	Inorganic microfiber 6 µm
<b>A10</b>	Inorganic microfiber 10 µm
<b>A16</b>	Inorganic microfiber 16 µm
<b>A25</b>	Inorganic microfiber 25 µm
<b>M25</b>	Wire mesh 25 µm
<b>M60</b>	Wire mesh 60 µm
<b>M90</b>	Wire mesh 90 µm
<b>P10</b>	Resin impregnated paper 10 µm
<b>P25</b>	Resin impregnated paper 25 µm

Seals	
<b>A</b>	NBR
<b>V</b>	FPM

Execution	
<b>P01</b>	MP Filtri standard
<b>Pxx</b>	Customized

### CLOGGING INDICATORS

See page 680-681

<b>BVA</b>	Axial pressure gauge
<b>BVR</b>	Radial pressure gauge
<b>BVP</b>	Visual pressure indicator with automatic reset
<b>BVQ</b>	Visual pressure indicator with manual reset

<b>BEA</b>	Electrical pressure indicator
<b>BEM</b>	Electrical pressure indicator
<b>BLA</b>	Electrical / visual pressure indicator
<b>DES</b>	Electrical differential indicator
<b>DVS</b>	Visual differential indicator

### PLUGS

See page 706

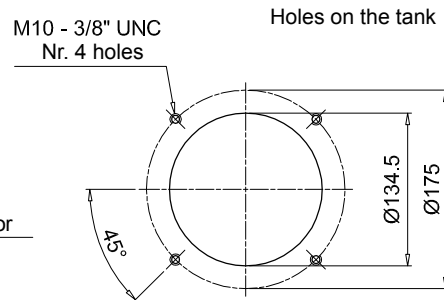
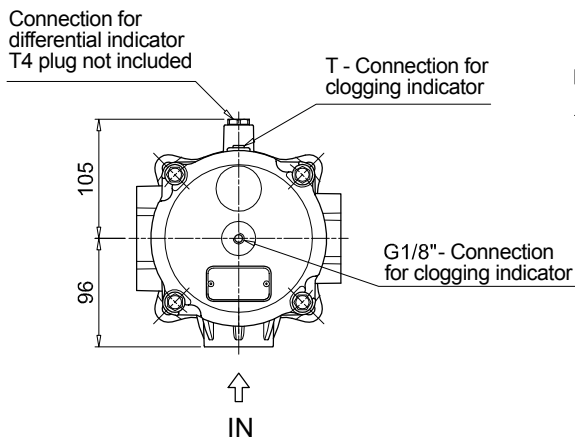
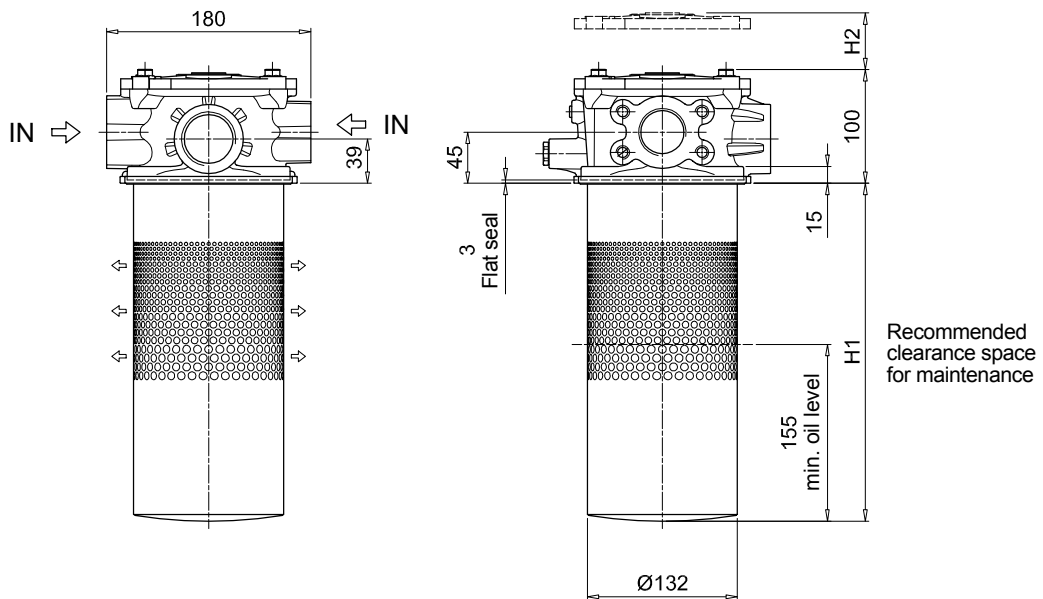
<b>T4</b>	Differential indicator plug
-----------	-----------------------------

# MDH250

## Dimensions

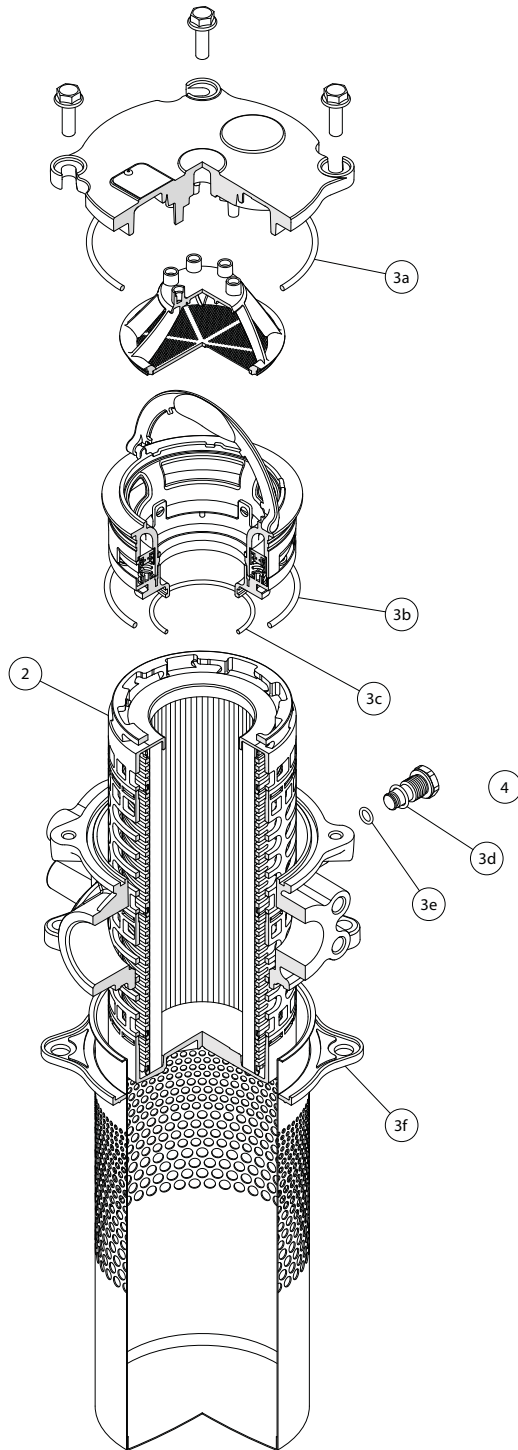
MDH250		
Filter length	H1 [mm]	H2 [mm]
2	300	380
4	485	565

Connections	T
A	G 1/8"
B-C	1/8" NPT



# MDH SPARE PARTS

Order number for spare parts



Item:	Q.ty: 1 pc. 2	Q.ty: 1 pc. 3 (3a ÷ 3f)	Q.ty: 1 pc. 4
Filter series	Filter element	Seal Kit code number NBR	Indicator connection plug NBR
<b>MDH 250</b>	See order table	02050850	T4A





# MPH series

Maximum working pressure up to 1 MPa (10 bar) - Flow rate up to 3500 l/min



## Description

## Technical data

### Return filter

**Maximum working pressure up to 1 MPa (10 bar)**

**Flow rate up to 3500 l/min**

MPH is a range of return filters for protection of the reservoir against the system contamination.

They are directly fixed to the reservoir, in immersed or semi-immersed position.

The use of the diffuser is recommended, to place the filter output always immersed into the fluid to avoid aeration or foam generation into the reservoir.

The filtration from inside to outside allows a cleaner filter element replacement, the dirty remains into the filter element.

### Available features:

- Female threaded connections up to 1 1/2" and flanged connections up to 4", for a maximum flow rate of 3500 l/min
- Multiple connections, to connect several return lines or drains
- Fine filtration rating, to get a good cleanliness level into the reservoir
- Bypass valve, to relieve excessive pressure drop across the filter media
- Magnetic filter, to hold the ferrous particles
- 2, 3, 4 or 8 fixing holes for installation, to suit a variety of reservoir surfaces
- Flat Seal to suit a variety of reservoir surfaces
- Oil dipstick, to easily check the level of the fluid into the reservoir (separate item)
- Diffuser, to reduce the risk of aeration, foaming and noise
- Filler plug, to fill cleaned fluid into the tank without an additional plug
- Integrated breather filter, to clean the air that moves into the reservoir as result of the oil level fluctuation (MPH110/114)
- Integrated breather filter with pressurization valve, to clean the air that moves into the reservoir as result of the oil level fluctuation and to guarantee the pressurization into the reservoir (MPH110/114)
- Visual, electrical and electronic clogging indicators

### Common applications:

Heavy duty industrial equipment

### Filter housing materials

- Head
  - Aluminium: MPH 110-114-116-120-250
  - Anodized Aluminium: MPH 630-850
  - Painted Aluminium: MPH 660
- Cover
  - Polyamide: MPH 110-114-116-120
  - Aluminium: MPH 250
  - Anodized Aluminium: MPH 630
  - Painted Aluminium: MPH 660
  - Steel: MPH 850
- Insert assembly
  - Polyamide: MPH 110-114-116-120
  - Aluminium: MPH 250-630-660-850
- Diffuser: Tinned Steel
- Valve: Phosphatized Steel

### Bypass valve

- Opening pressure 175 kPa (1.75 bar)±10%
- Opening pressure 250 kPa (2.5 bar) ±10%, except for MPH 850

### Δp element type

- Microfibre filter elements - series MR: 10 bar
- Fluid flow through the filter element from IN to OUT

### Seals

- Standard NBR series A
- Optional FPM series V

### Temperature

From -25 °C to +110 °C

### Note

MPH filters are provided for vertical mounting

## Weights [kg] and volumes [dm<sup>3</sup>]

Filter series	Weights [kg]					Volumes [dm <sup>3</sup> ]						
	Length	1	2	3	4	5	Length	1	2	3	4	5
<b>MPH 110</b>	1.60	1.70	1.80	2.20	2.60		1.60	1.70	1.80	2.20	2.60	
<b>MPH 114</b>	1.60	1.70	1.80	2.20	2.60		1.60	1.70	1.80	2.20	2.60	
<b>MPH 116</b>	1.60	1.70	1.80	2.20	2.60		1.60	1.70	1.80	2.20	2.60	
<b>MPH 120</b>	1.60	1.70	1.80	2.20	2.60		1.60	1.70	1.80	2.20	2.60	
<b>MPH 250</b>	3.60	3.90	4.20	5.60	-		4.40	4.40	5.40	8.00	-	
<b>MPH 630</b>	6.50	7.00	7.40	8.50	10.50		7.30	9.00	11.00	13.00	19.20	
<b>MPH 660</b>	-	-	-	11.50	14.00		-	-	-	14.60	21.00	
<b>MPH 850</b>	32.00	35.00	38.00	42.00	-		13.00	16.50	21.00	25.00	-	



Filter series	Length	A03	A06	A10	A16	A25	M25 M60 M90	P10	P25
<b>MPH 110-114 116-120</b>	<b>1</b>	26	29	72	79	107	282	164	190
	<b>2</b>	43	46	112	114	161	318	164	190
	<b>3</b>	64	72	132	156	178	324	219	251
	<b>4</b>	90	99	184	198	216	324	266	302
	<b>5</b>	117	128	201	219	244	324	282	318
<b>MPH 250</b>	<b>1</b>	93	102	210	251	315	1093	339	383
	<b>2</b>	124	151	327	412	421	1122	460	514
	<b>3</b>	189	221	418	445	500	1137	544	616
	<b>4</b>	261	304	592	670	766	1166	832	923
<b>MPH 630</b>	<b>1</b>	160	200	369	423	518	1894	565	632
	<b>2</b>	240	257	571	611	1045	1929	1137	1285
	<b>3</b>	330	374	745	788	1308	1938	1416	1577
	<b>4</b>	374	403	887	1010	1348	1956	1448	1612
	<b>5</b>	625	698	1210	1257	1723	2121	1839	1929
<b>MPH 660</b>	<b>4</b>	370	399	903	1042	1460	2376	1596	1830
	<b>5</b>	624	699	1282	1343	1997	2663	2182	2331
<b>MPH 850</b>	<b>1</b>	775	1041	1246	1568	2242	3311	2371	2625
	<b>2</b>	1176	1522	1682	1747	2449	3378	2684	2886
	<b>3</b>	1490	1914	1995	2014	3035	3405	3144	3220
	<b>4</b>	1668	2088	2305	2363	3169	3517	3272	3378

### Maximum flow rate for a complete return filter with a pressure drop $\Delta p = 0.5$ bar.

The reference fluid has a kinematic viscosity of 30 mm<sup>2</sup>/s (cSt) and a density of 0.86 kg/dm<sup>3</sup>.

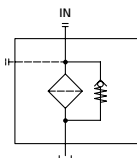
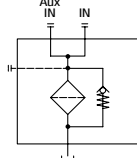
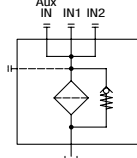
For different pressure drop or fluid viscosity we recommend to use our selection software available on [www.mpfiltri.com](http://www.mpfiltri.com).

You can also calculate the right size using the formulas present on the FILTER SIZING paragraph at the beginning of the full catalogue or at the beginning of the filter family brochure. Please, contact our Sales Department for further additional information.

### Hydraulic symbols

Filter series	Style 1 connection	Style 2 connections	Style 3 connections
<b>MPH 110</b>	-	•	-
<b>MPH 114</b>	•	-	-
<b>MPH 116</b>	•	-	-
<b>MPH 120</b>	-	-	•
<b>MPH 250</b>	•	•	-
<b>MPH 630</b>	•	•	-
<b>MPH 660</b>	•	-	-
<b>MPH 850</b>	-	•	-

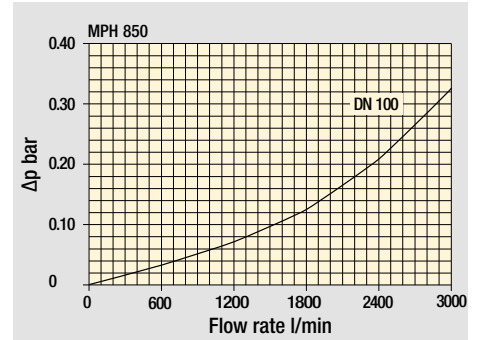
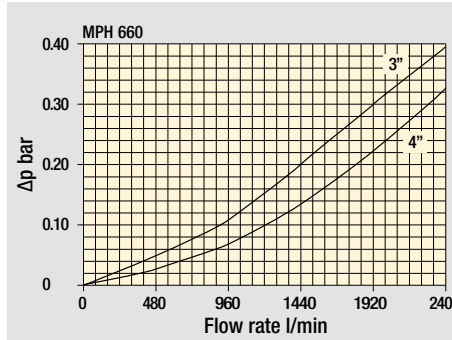
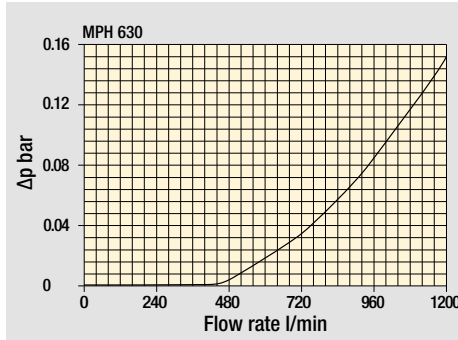
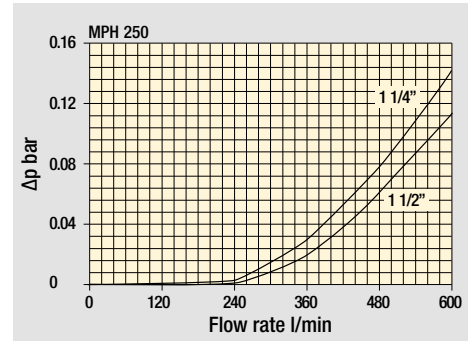
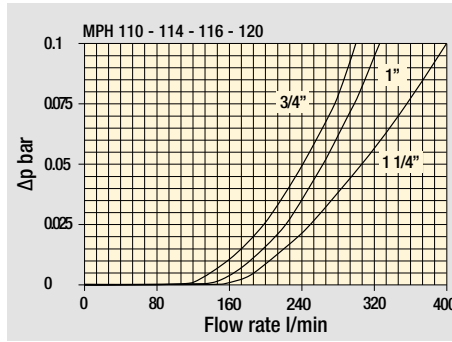
  

		
---	---	---

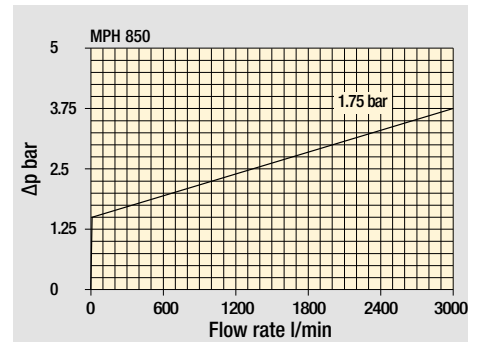
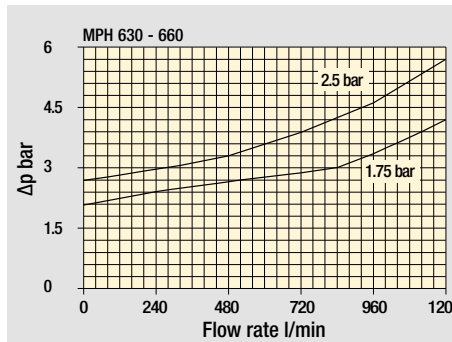
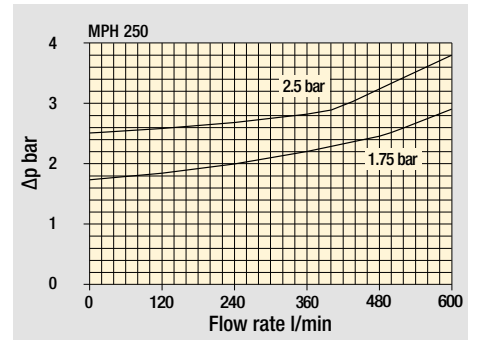
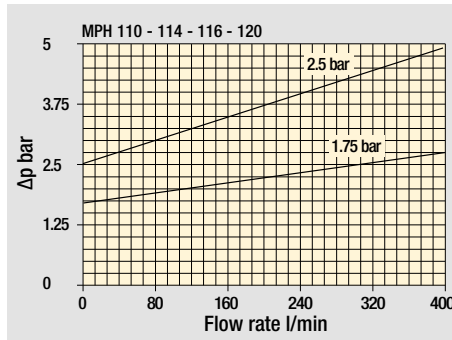
# MPH GENERAL INFORMATION

## Pressure drop

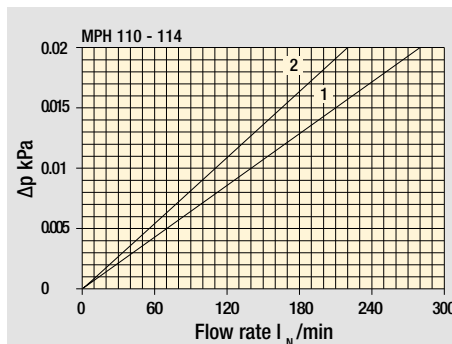
### Filter housings $\Delta p$ pressure drop



### Bypass valve pressure drop



### Air breather pressure drop



- 1  C With air breather 10  $\mu$ m
- 2  D With anti-splash and SAP50 10  $\mu$ m

The curves are plotted using mineral oil with density of 0.86 kg/dm<sup>3</sup> in compliance with ISO 3968.  $\Delta p$  varies proportionally with density.



## Designation & Ordering code

### COMPLETE FILTER

Series and size **MPH110** Configuration example: **MPH110** | **1** | **S** | **D** | **S** | **A** | **G1** | **1** | **A10** | **P01**

Length: **1** | **2** | **3** | **4** | **5**

Bypass valve: **S** Without bypass | **C** 1.75 bar | **E** 2.5 bar

Diffuser and magnetic filter: **D** With diffuser, with magnetic filter | **F** With diffuser, without magnetic filter | **O** Without diffuser, with magnetic filter | **E** Without diffuser, without magnetic filter

Air breather: **S** Without air breather | **C** With air breather 10 µm | **D** With anti-splash and air breather SAP050 10 µm | **P** With anti-splash and air breather SAP050 10 µm pressurization 0.5 bar

Seals and treatments	Filtration rating		
	Axx	Mxx	Pxx
<b>A</b> NBR	•	•	•
<b>V</b> FPM	•	•	•
<b>W</b> NBR head anodized filter element compatible with fluids HFA-HFB-HFC	•	•	-
<b>Z</b> FPM head anodized	•	•	-

Main Connections	Aux size 1	Aux size 2	Main Connections	Aux size 1	Aux size 2		
<b>G1</b> G 3/4"	G 3/8"	G 1/2"	<b>G7</b> SAE 12 - 1 1/16" - 12 UN	SAE 6 - 9/16" - 18 UNF	SAE 8 - 3/4" - 16 UNF		
<b>G2</b> G 1"			<b>G8</b> SAE 16 - 1 5/16" - 12 UN				
<b>G3</b> G 1 1/4"			<b>G9</b> SAE 20 - 1 5/8" - 12 UN				
<b>G4</b> 3/4" NPT			3/8" NPT	1/2" NPT			
<b>G5</b> 1" NPT							
<b>G6</b> 1 1/4" NPT							

Aux connection - see previous table: **0** Not machined | **1** Aux size 1 | **2** Aux size 2

Filtration rating (filter media): **A03** Inorganic microfiber 3 µm | **M25** Wire mesh 25 µm | **A06** Inorganic microfiber 6 µm | **M60** Wire mesh 60 µm | **A10** Inorganic microfiber 10 µm | **M90** Wire mesh 90 µm | **A16** Inorganic microfiber 16 µm | **P10** Resin impregnated paper 10 µm | **A25** Inorganic microfiber 25 µm | **P25** Resin impregnated paper 25 µm

All filter media except M60, P10 and P25 are compatible with fluids HFA, HFB and HFC

Execution: **P01** MP Filtri standard | **Pxx** Customized

### FILTER ELEMENT

Element series and size **MR100** Configuration example: **MR100** | **1** | **A10** | **A** | **P01**

Element length: **1** | **2** | **3** | **4** | **5**

Filtration rating (filter media): **A03** Inorganic microfiber 3 µm | **M25** Wire mesh 25 µm | **A06** Inorganic microfiber 6 µm | **M60** Wire mesh 60 µm | **A10** Inorganic microfiber 10 µm | **M90** Wire mesh 90 µm | **A16** Inorganic microfiber 16 µm | **P10** Resin impregnated paper 10 µm | **A25** Inorganic microfiber 25 µm | **P25** Resin impregnated paper 25 µm

Seals: **A** NBR | **V** FPM

Execution: **P01** MP Filtri standard | **Pxx** Customized

### CLOGGING INDICATORS

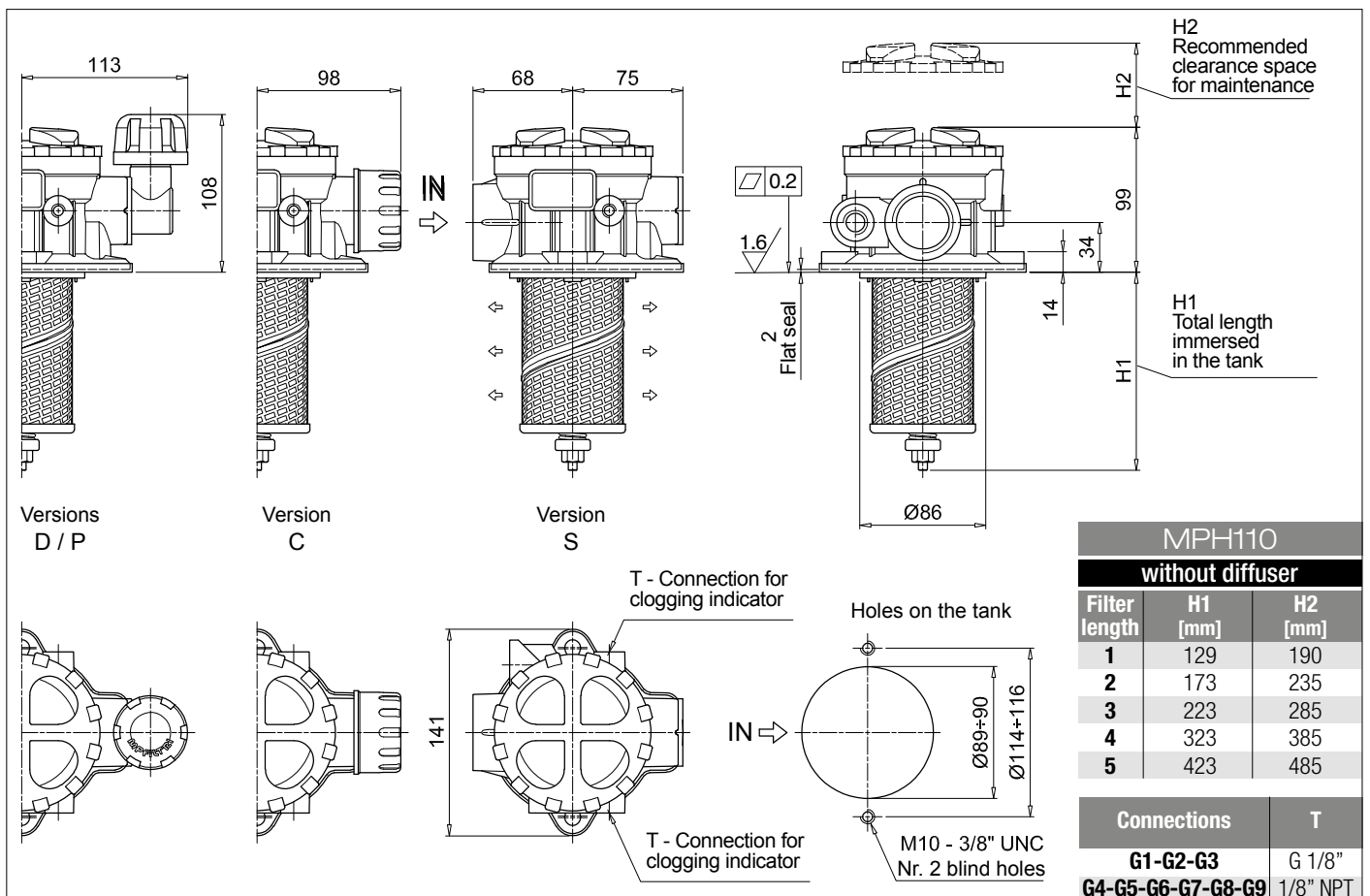
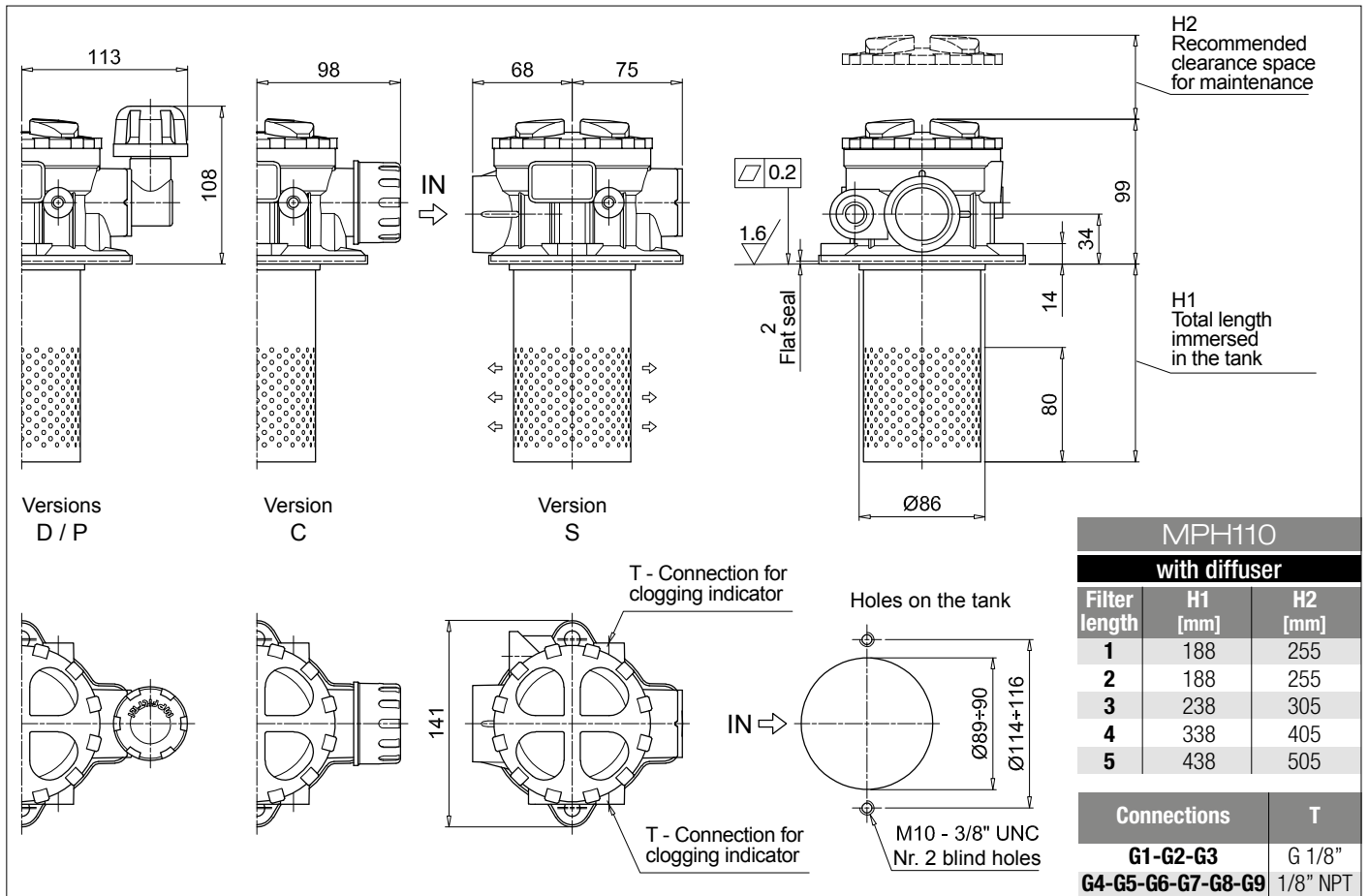
See page 680-681

<b>BVA</b> Axial pressure gauge	<b>BEA</b> Electrical pressure indicator
<b>BVR</b> Radial pressure gauge	<b>BEM</b> Electrical pressure indicator
<b>BVP</b> Visual pressure indicator with automatic reset	<b>BLA</b> Electrical / visual pressure indicator
<b>BVQ</b> Visual pressure indicator with manual reset	

### ADDITIONAL FEATURES

See page 262

**DPT** Dipstick



## Designation & Ordering code

### COMPLETE FILTER

Series and size **MPH114** Configuration example: **MPH114** | **3** | **C** | **E** | **C** | **Z** | **G6** | **M60** | **P01**

#### Length

1 | 2 | 3 | 4 | 5

#### Bypass valve

**S** Without bypass | **C** 1.75 bar | **E** 2.5 bar

#### Diffuser and magnetic filter

**D** With diffuser, with magnetic filter  
**F** With diffuser, without magnetic filter  
**O** Without diffuser, with magnetic filter  
**E** Without diffuser, without magnetic filter

#### Air breather

**S** Without air breather  
**C** With air breather 10 µm  
**D** With anti-splash and air breather SAP050 10 µm  
**P** With anti-splash and air breather SAP050 10 µm pressurization 0.5 bar

Seals and treatments	Filtration rating		
	Axx	Mxx	Pxx
<b>A</b> NBR	•	•	•
<b>V</b> FPM	•	•	•
<b>W</b> NBR head anodized	•	•	-
<b>Z</b> FPM head anodized	•	•	-

filter element compatible with fluids HFA-HFB-HFC

#### Connections

<b>G1</b> G 3/4"	<b>G6</b> 1 1/4" NPT
<b>G2</b> G 1"	<b>G7</b> SAE 12 - 1 1/16" - 12 UN
<b>G3</b> G 1 1/4"	<b>G8</b> SAE 16 - 1 5/16" - 12 UN
<b>G4</b> 3/4" NPT	<b>G9</b> SAE 20 - 1 5/8" - 12 UN
<b>G5</b> 1" NPT	

#### Filtration rating (filter media)

<b>A03</b> Inorganic microfiber 3 µm	<b>M25</b> Wire mesh 25 µm
<b>A06</b> Inorganic microfiber 6 µm	<b>M60</b> Wire mesh 60 µm
<b>A10</b> Inorganic microfiber 10 µm	<b>M90</b> Wire mesh 90 µm
<b>A16</b> Inorganic microfiber 16 µm	<b>P10</b> Resin impregnated paper 10 µm
<b>A25</b> Inorganic microfiber 25 µm	<b>P25</b> Resin impregnated paper 25 µm

All filter media except M60, P10 and P25 are compatible with fluids HFA, HFB and HFC

#### Execution

**P01** MP Filtri standard  
**Pxx** Customized

### FILTER ELEMENT

Element series and size **MR100** Configuration example: **MR100** | **3** | **M60** | **V** | **P01**

#### Element length

1 | 2 | 3 | 4 | 5

#### Filtration rating (filter media)

<b>A03</b> Inorganic microfiber 3 µm	<b>M25</b> Wire mesh 25 µm
<b>A06</b> Inorganic microfiber 6 µm	<b>M60</b> Wire mesh 60 µm
<b>A10</b> Inorganic microfiber 10 µm	<b>M90</b> Wire mesh 90 µm
<b>A16</b> Inorganic microfiber 16 µm	<b>P10</b> Resin impregnated paper 10 µm
<b>A25</b> Inorganic microfiber 25 µm	<b>P25</b> Resin impregnated paper 25 µm

#### Seals

**A** NBR  
**V** FPM

#### Execution

**P01** MP Filtri standard  
**Pxx** Customized

### CLOGGING INDICATORS

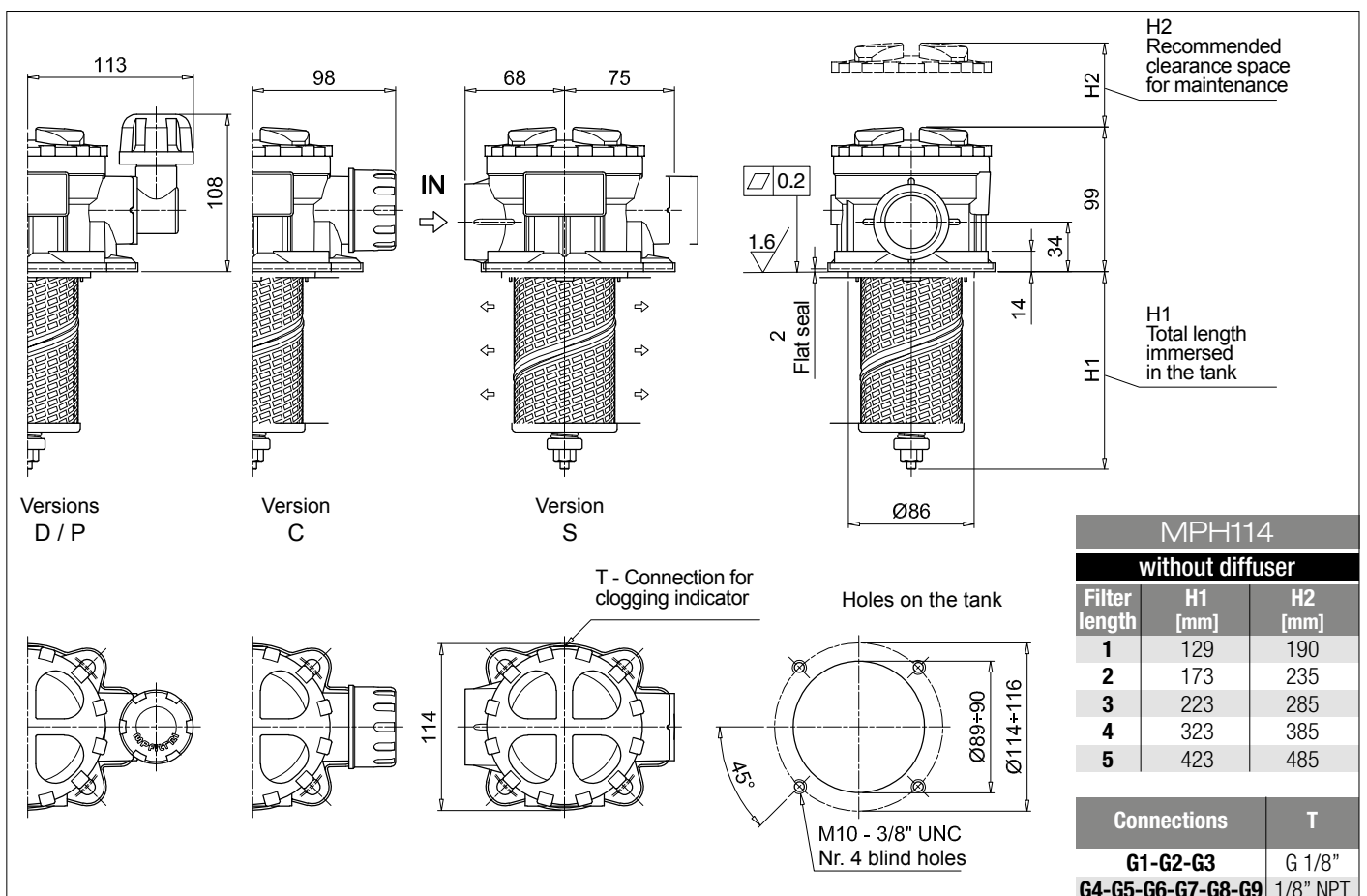
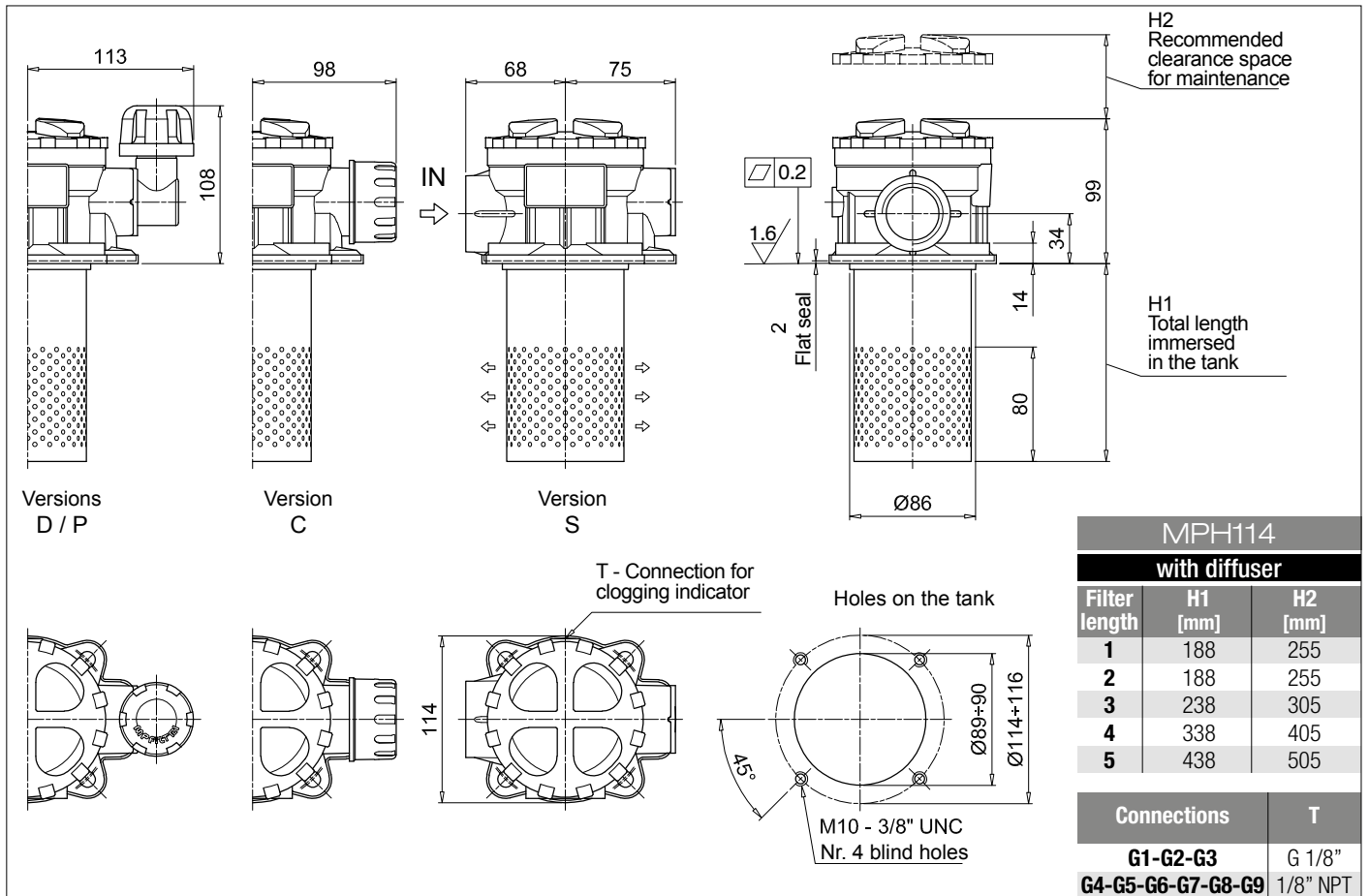
See page 680-681

<b>BVA</b> Axial pressure gauge	<b>BEA</b> Electrical pressure indicator
<b>BVR</b> Radial pressure gauge	<b>BEM</b> Electrical pressure indicator
<b>BVP</b> Visual pressure indicator with automatic reset	<b>BLA</b> Electrical / visual pressure indicator
<b>BVQ</b> Visual pressure indicator with manual reset	

### ADDITIONAL FEATURES

See page 262

**DPT** Dipstick



## Designation & Ordering code

### COMPLETE FILTER

Series and size Configuration example: **MPH116** | **5** | **S** | **D** | **S** | **A** | **G1** | **A10** | **P01**

**MPH116**

#### Length

1 | 2 | 3 | 4 | 5

#### Bypass valve

**S** Without bypass | **C** 1.75 bar | **E** 2.5 bar

#### Diffuser and magnetic filter

**D** With diffuser, with magnetic filter  
**F** With diffuser, without magnetic filter  
**O** Without diffuser, with magnetic filter  
**E** Without diffuser, without magnetic filter

#### Air breather

**S** Without air breather

#### Seals and treatments

##### Filtration rating

	Axx	Mxx	Pxx
<b>A</b> NBR	•	•	•
<b>V</b> FPM	•	•	•
<b>W</b> NBR head anodized	•	•	-
<b>Z</b> FPM head anodized	•	•	-

Flat seal on the head on request

#### Connections

<b>G1</b> G 3/4"	<b>G6</b> 1 1/4" NPT
<b>G2</b> G 1"	<b>G7</b> SAE 12 - 1 1/16" - 12 UN
<b>G3</b> G 1 1/4"	<b>G8</b> SAE 16 - 1 5/16" - 12 UN
<b>G4</b> 3/4" NPT	<b>G9</b> SAE 20 - 1 5/8" - 12 UN
<b>G5</b> 1" NPT	

#### Filtration rating (filter media)

<b>A03</b> Inorganic microfiber 3 µm	<b>M25</b> Wire mesh 25 µm
<b>A06</b> Inorganic microfiber 6 µm	<b>M60</b> Wire mesh 60 µm
<b>A10</b> Inorganic microfiber 10 µm	<b>M90</b> Wire mesh 90 µm
<b>A16</b> Inorganic microfiber 16 µm	<b>P10</b> Resin impregnated paper 10 µm
<b>A25</b> Inorganic microfiber 25 µm	<b>P25</b> Resin impregnated paper 25 µm

All filter media except M60, P10 and P25 are compatible with fluids HFA, HFB and HFC

#### Execution

**P01** MP Filtri standard  
**Pxx** Customized

### FILTER ELEMENT

Element series and size Configuration example: **MR100** | **5** | **A10** | **A** | **P01**

**MR100**

#### Element length

1 | 2 | 3 | 4 | 5

#### Filtration rating (filter media)

<b>A03</b> Inorganic microfiber 3 µm	<b>M25</b> Wire mesh 25 µm
<b>A06</b> Inorganic microfiber 6 µm	<b>M60</b> Wire mesh 60 µm
<b>A10</b> Inorganic microfiber 10 µm	<b>M90</b> Wire mesh 90 µm
<b>A16</b> Inorganic microfiber 16 µm	<b>P10</b> Resin impregnated paper 10 µm
<b>A25</b> Inorganic microfiber 25 µm	<b>P25</b> Resin impregnated paper 25 µm

#### Seals

**A** NBR  
**V** FPM

#### Execution

**P01** MP Filtri standard  
**Pxx** Customized

### CLOGGING INDICATORS

See page 680-681

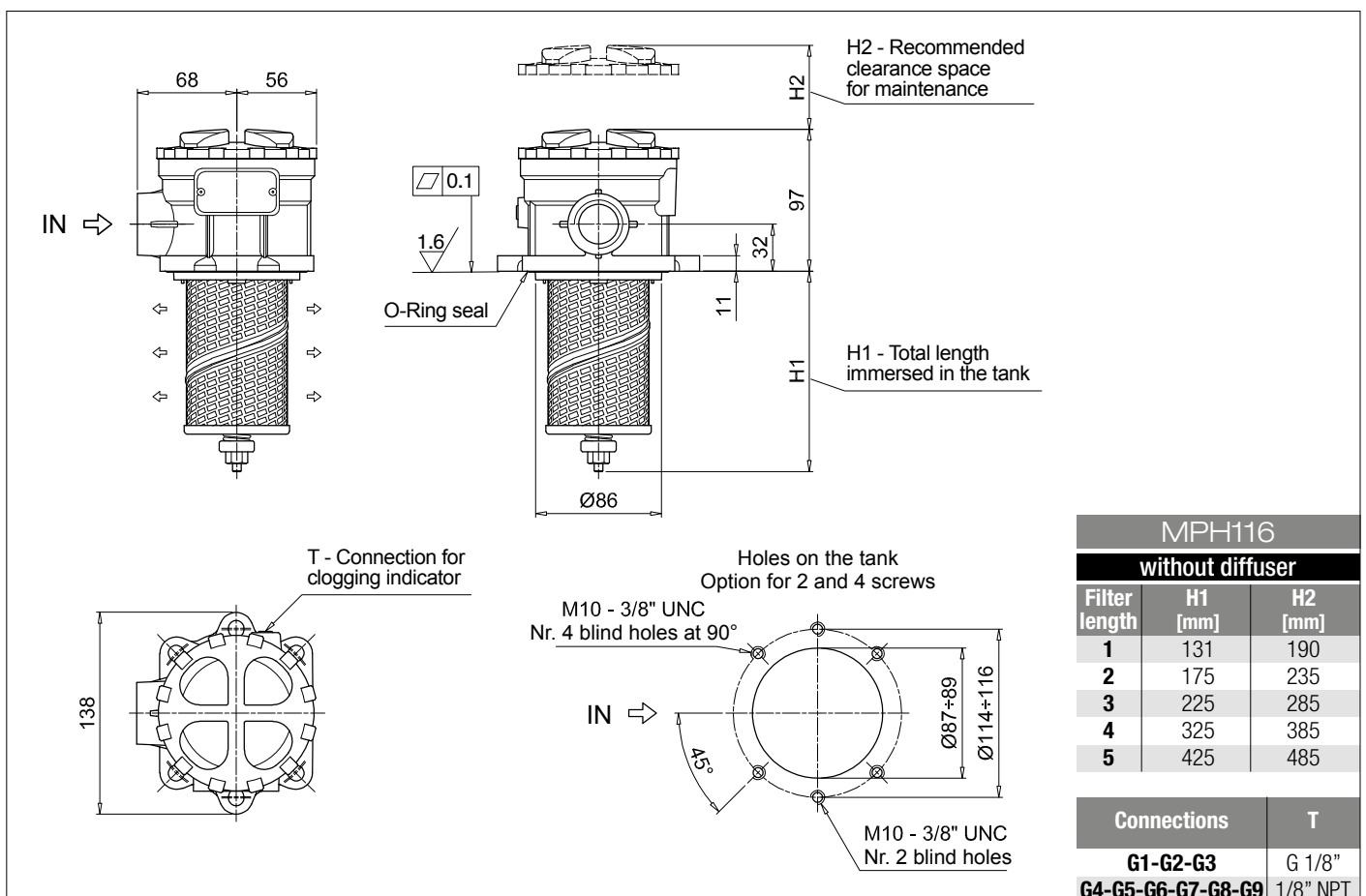
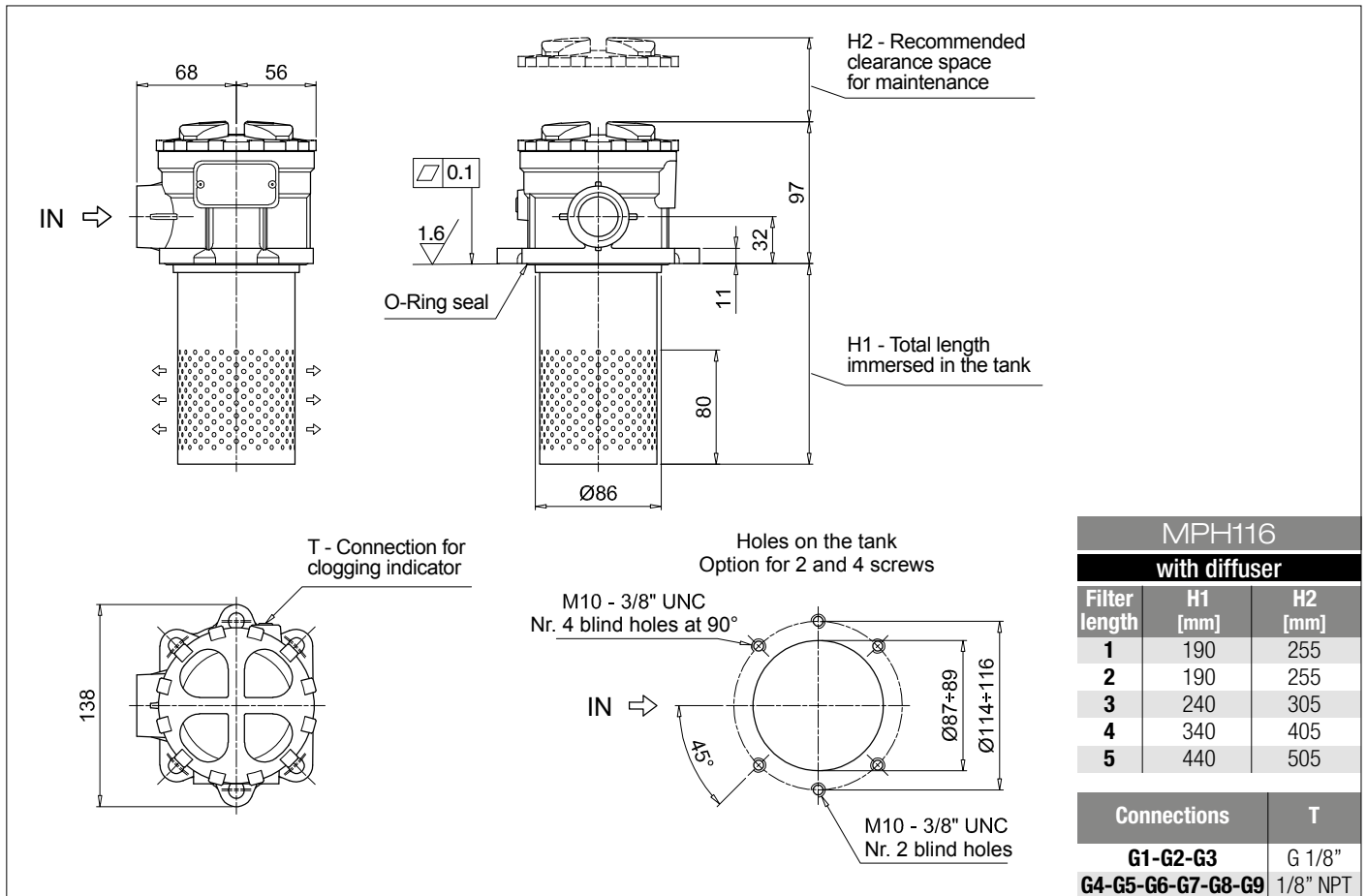
<b>BVA</b> Axial pressure gauge	<b>BEA</b> Electrical pressure indicator
<b>BVR</b> Radial pressure gauge	<b>BEM</b> Electrical pressure indicator
<b>BVP</b> Visual pressure indicator with automatic reset	<b>BLA</b> Electrical / visual pressure indicator
<b>BVQ</b> Visual pressure indicator with manual reset	

### ADDITIONAL FEATURES

See page 262

**DPT** Dipstick





## Designation & Ordering code

### COMPLETE FILTER

Series and size Configuration example: **MPH120** | **1** | **S** | **D** | **A** | **G1** | **1** | **A10** | **P01**

**MPH120**

Length

**1** | **2** | **3** | **4** | **5** |

Bypass valve

**S** Without bypass | **C** 1.75 bar | **E** 2.5 bar

Diffuser and magnetic filter

**D** With diffuser, with magnetic filter  
**F** With diffuser, without magnetic filter  
**O** Without diffuser, with magnetic filter  
**E** Without diffuser, without magnetic filter

Seals and treatments	Filtration rating		
	Axx	Mxx	Pxx
<b>A</b> NBR	•	•	•
<b>V</b> FPM	•	•	•
<b>W</b> NBR head anodized	•	•	-
<b>Z</b> FPM head anodized	•	•	-

Main Connections	Rear connections	Aux size 1	Aux size 2
<b>G1</b> G 3/4"	G 3/4"	G 3/8"	G 1/2"
<b>G2</b> G 1"	G 1"		
<b>G3</b> G 1 1/4"	G 3/4"		
<b>G4</b> 3/4" NPT	3/4" NPT	3/8" NPT	1/2" NPT
<b>G5</b> 1" NPT	1" NPT		
<b>G6</b> 1 1/4" NPT	3/4" NPT		
<b>G7</b> SAE 12 - 1 1/16" - 12 UN	SAE 12 - 1 1/16" - 12 UN	SAE 6 - 9/16" - 18 UNF	SAE 8 - 3/4" - 16 UNF
<b>G8</b> SAE 16 - 1 5/16" - 12 UN	SAE 16 - 1 5/16" - 12 UN		
<b>G9</b> SAE 20 - 1 5/8" - 12 UN	SAE 12 - 1 1/16" - 12 UN		

Aux connection - see previous table

**0** Not machined | **1** Aux size 1 | **2** Aux size 2

Filtration rating (filter media)

**A03** Inorganic microfiber 3 µm | **M25** Wire mesh 25 µm  
**A06** Inorganic microfiber 6 µm | **M60** Wire mesh 60 µm  
**A10** Inorganic microfiber 10 µm | **M90** Wire mesh 90 µm  
**A16** Inorganic microfiber 16 µm | **P10** Resin impregnated paper 10 µm  
**A25** Inorganic microfiber 25 µm | **P25** Resin impregnated paper 25 µm

All filter media except M60, P10 and P25 are compatible with fluids HFA, HFB and HFC

Execution

**P01** MP Filtri standard  
**Pxx** Customized

### FILTER ELEMENT

Element series and size Configuration example: **MR100** | **1** | **A10** | **A** | **P01**

**MR100**

Element length

**1** | **2** | **3** | **4** | **5** |

Filtration rating (filter media)

**A03** Inorganic microfiber 3 µm | **M25** Wire mesh 25 µm  
**A06** Inorganic microfiber 6 µm | **M60** Wire mesh 60 µm  
**A10** Inorganic microfiber 10 µm | **M90** Wire mesh 90 µm  
**A16** Inorganic microfiber 16 µm | **P10** Resin impregnated paper 10 µm  
**A25** Inorganic microfiber 25 µm | **P25** Resin impregnated paper 25 µm

Seals

**A** NBR  
**V** FPM

Execution

**P01** MP Filtri standard  
**Pxx** Customized

### CLOGGING INDICATORS

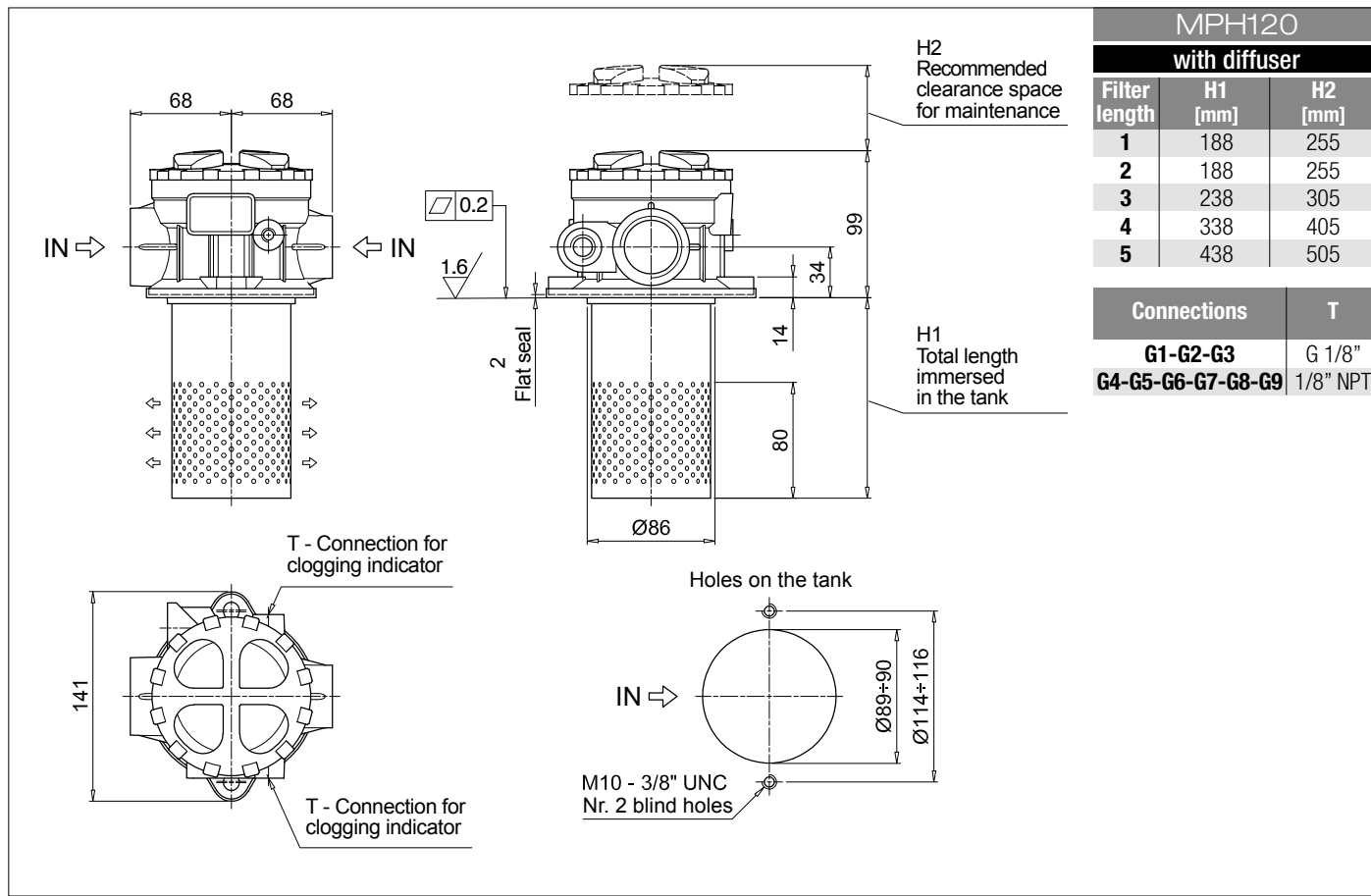
See page 680-681

**BVA** Axial pressure gauge | **BEA** Electrical pressure indicator  
**BVR** Radial pressure gauge | **BEM** Electrical pressure indicator  
**BVP** Visual pressure indicator with automatic reset | **BLA** Electrical / visual pressure indicator  
**BVQ** Visual pressure indicator with manual reset

### ADDITIONAL FEATURES

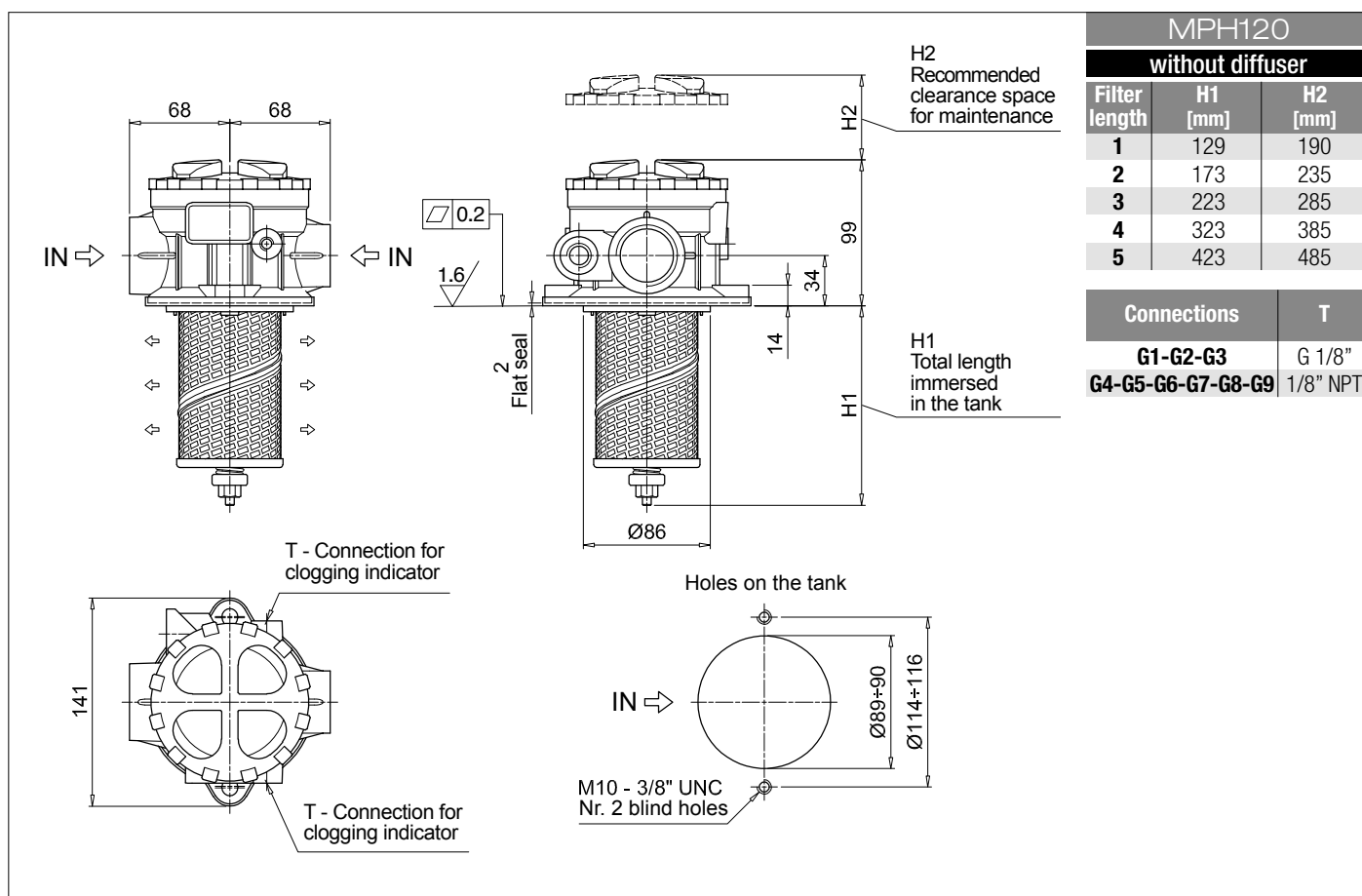
See page 262

**DPT** Dipstick



MPH120		
with diffuser		
Filter length	H1 [mm]	H2 [mm]
1	188	255
2	188	255
3	238	305
4	338	405
5	438	505

Connections	T
G1-G2-G3	G 1/8"
G4-G5-G6-G7-G8-G9	1/8" NPT



MPH120		
without diffuser		
Filter length	H1 [mm]	H2 [mm]
1	129	190
2	173	235
3	223	285
4	323	385
5	423	485

Connections	T
G1-G2-G3	G 1/8"
G4-G5-G6-G7-G8-G9	1/8" NPT

## Designation & Ordering code

### COMPLETE FILTER

Configuration example: **MPH250** | **1** | **C** | **D** | **S** | **A** | **G1** | **A10** | **P01**

**Series and size**  
**MPH250**

**Length**  
**1** | **2** | **3** | **4**

**Bypass valve**  
**S** Without bypass | **C** 1.75 bar | **E** 2.5 bar

**Diffuser and magnetic filter**  
**D** With diffuser, with magnetic filter  
**F** With diffuser, without magnetic filter  
**O** Without diffuser, with magnetic filter  
**E** Without diffuser, without magnetic filter

**Air breather**  
**S** Without air breather

Seals and treatments	Filtration rating		
	Axx	Mxx	Pxx
<b>A</b> NBR	•	•	•
<b>V</b> FPM	•	•	•
<b>W</b> NBR head anodized filter element compatible with fluids HFA-HFB-HFC	•	•	-
<b>Z</b> FPM head anodized	•	•	-

Main Connections	Rear connections
<b>G1</b> G 1 1/2"	-
<b>G2</b> G 1 1/2"	G 1 1/4"
<b>G4</b> 1 1/2" NPT	-
<b>G5</b> 1 1/2" NPT	1 1/4" NPT
<b>G7</b> SAE 24 - 1 7/8" - 12 UN	-
<b>G8</b> SAE 24 - 1 7/8" - 12 UN	SAE 20 - 1 5/8" - 12 UN
<b>F1</b> 1 1/2" SAE 3000 psi/M	-
<b>F2</b> 1 1/2" SAE 3000 psi/M	1 1/4" SAE 3000 psi/M
<b>F3</b> 1 1/2" SAE 3000 psi/UNC	-
<b>F4</b> 1 1/2" SAE 3000 psi/UNC	1 1/4" SAE 3000 psi/UNC

Filtration rating (filter media)	
<b>A03</b> Inorganic microfiber 3 µm	<b>M25</b> Wire mesh 25 µm
<b>A06</b> Inorganic microfiber 6 µm	<b>M60</b> Wire mesh 60 µm
<b>A10</b> Inorganic microfiber 10 µm	<b>M90</b> Wire mesh 90 µm
<b>A16</b> Inorganic microfiber 16 µm	<b>P10</b> Resin impregnated paper 10 µm
<b>A25</b> Inorganic microfiber 25 µm	<b>P25</b> Resin impregnated paper 25 µm

All filter media except M60, P10 and P25 are compatible with fluids HFA, HFB and HFC

Execution
<b>P01</b> MP Filtri standard
<b>Pxx</b> Customized

### FILTER ELEMENT

Configuration example: **MR250** | **1** | **A10** | **A** | **P01**

**Element series and size**  
**MR250**

**Element length**  
**1** | **2** | **3** | **4**

Filtration rating (filter media)	
<b>A03</b> Inorganic microfiber 3 µm	<b>M25</b> Wire mesh 25 µm
<b>A06</b> Inorganic microfiber 6 µm	<b>M60</b> Wire mesh 60 µm
<b>A10</b> Inorganic microfiber 10 µm	<b>M90</b> Wire mesh 90 µm
<b>A16</b> Inorganic microfiber 16 µm	<b>P10</b> Resin impregnated paper 10 µm
<b>A25</b> Inorganic microfiber 25 µm	<b>P25</b> Resin impregnated paper 25 µm

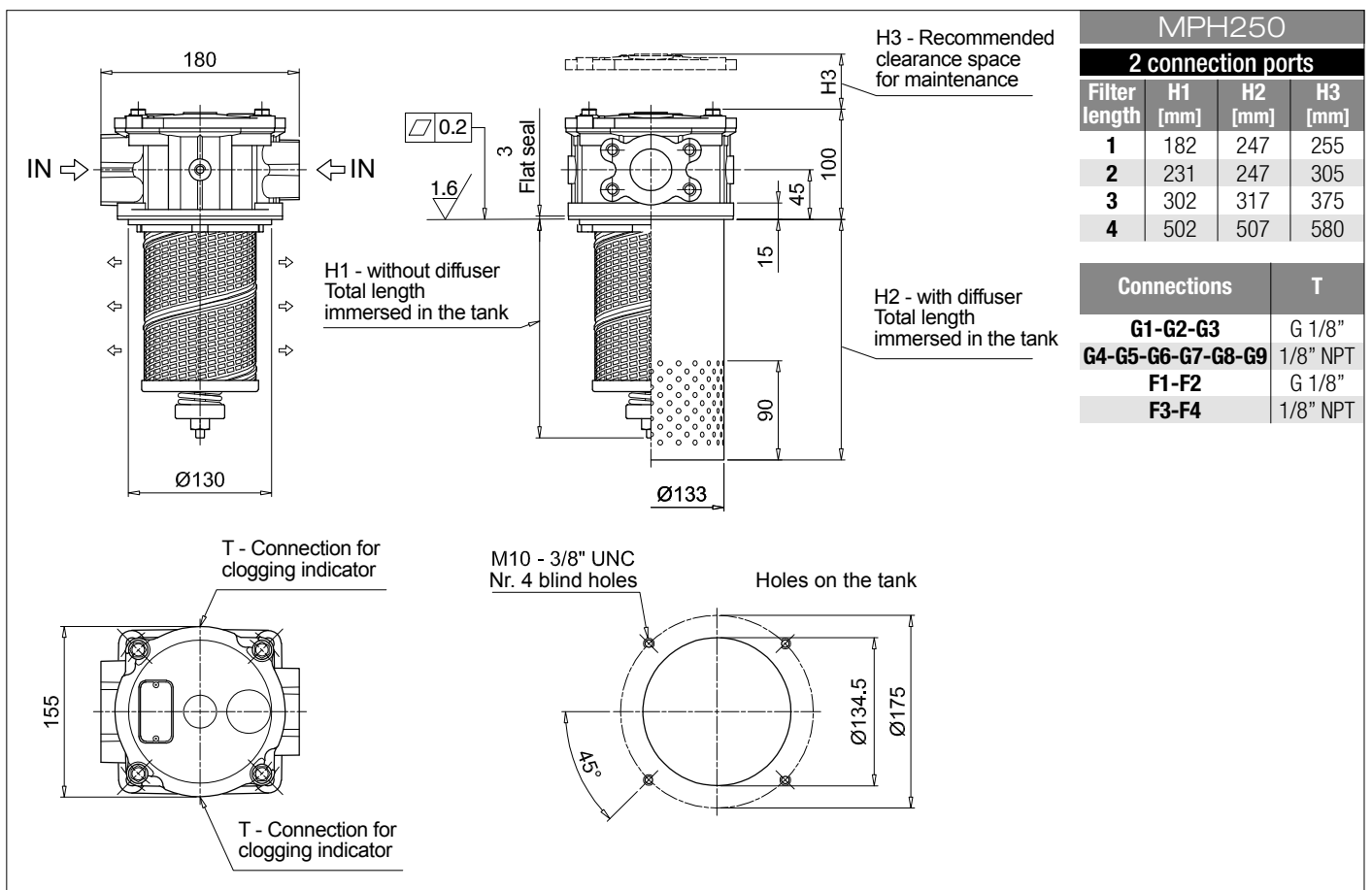
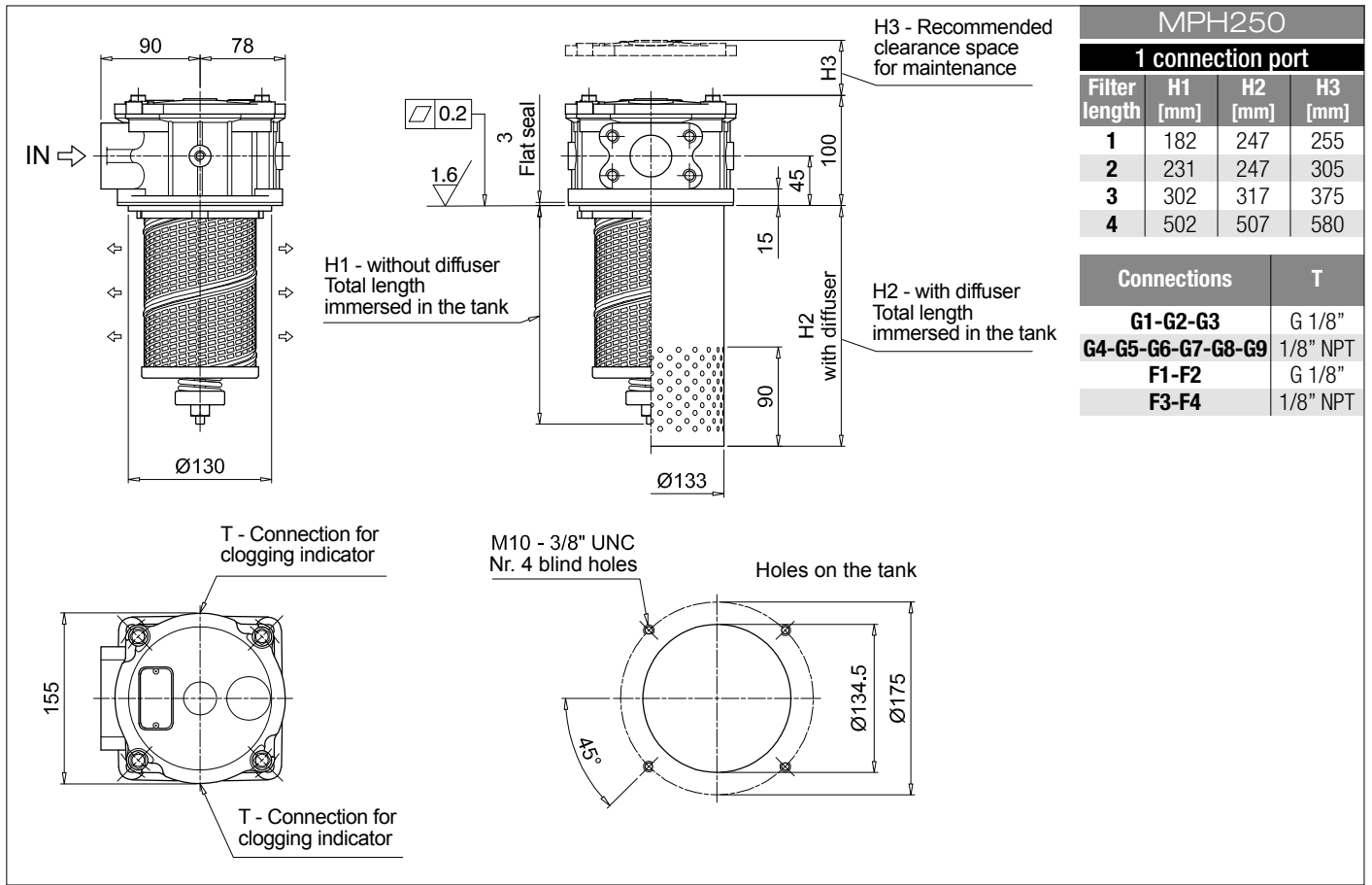
Seals	Execution
<b>A</b> NBR	<b>P01</b> MP Filtri standard
<b>V</b> FPM	<b>Pxx</b> Customized

### CLOGGING INDICATORS

See page 680-681

**BVA** Axial pressure gauge  
**BVR** Radial pressure gauge  
**BVP** Visual pressure indicator with automatic reset  
**BVQ** Visual pressure indicator with manual reset

**BEA** Electrical pressure indicator  
**BEM** Electrical pressure indicator  
**BLA** Electrical / visual pressure indicator



## Designation & Ordering code

### COMPLETE FILTER

<b>Series and size</b> <b>MPH630</b>	Configuration example: <b>MPH630</b>	<b>1</b>	<b>S</b>	<b>E</b>	<b>S</b>	<b>W</b>	<b>F1</b>	<b>M25</b>	<b>P01</b>	
<b>Length</b>										
<b>1</b>   <b>2</b>   <b>3</b>   <b>4</b>   <b>5</b>										
<b>Bypass valve</b>										
<b>S</b> Without bypass	<b>C</b> 1.75 bar	<b>E</b> 2.5 bar								
<b>Diffuser and magnetic filter</b>										
<b>D</b> With diffuser, with magnetic filter										
<b>F</b> With diffuser, without magnetic filter										
<b>O</b> Without diffuser, with magnetic filter										
<b>E</b> Without diffuser, without magnetic filter										
<b>Air breather</b>										
<b>S</b> Without air breather										
<b>Seals and treatments</b>	Filtration rating									
	<b>Axx</b>	<b>Mxx</b>	<b>Pxx</b>							
<b>A</b> NBR	•	•	•							
<b>V</b> FPM	•	•	•							
<b>W</b> NBR head anodized	•	•	-							
<b>Z</b> FPM head anodized	•	•	-							
	filter element compatible with fluids HFA-HFB-HFC									
<b>Main Connections</b>	<b>Rear connections</b>									
<b>F1</b> 2 1/2" SAE 3000 psi/M	-									
<b>F2</b> 2 1/2" SAE 3000 psi/M	2" SAE 3000 psi/M									
<b>F3</b> 2 1/2" SAE 3000 psi/UNC	-									
<b>F4</b> 2 1/2" SAE 3000 psi/UNC	2" SAE 3000 psi/UNC									
<b>Filtration rating (filter media)</b>										
<b>A03</b> Inorganic microfiber 3 µm	<b>M25</b> Wire mesh 25 µm									
<b>A06</b> Inorganic microfiber 6 µm	<b>M60</b> Wire mesh 60 µm									
<b>A10</b> Inorganic microfiber 10 µm	<b>M90</b> Wire mesh 90 µm									
<b>A16</b> Inorganic microfiber 16 µm	<b>P10</b> Resin impregnated paper 10 µm									
<b>A25</b> Inorganic microfiber 25 µm	<b>P25</b> Resin impregnated paper 25 µm									

<b>Execution</b>
<b>P01</b> MP Filtri standard
<b>Pxx</b> Customized

All filter media except M60, P10 and P25 are compatible with fluids HFA, HFB and HFC

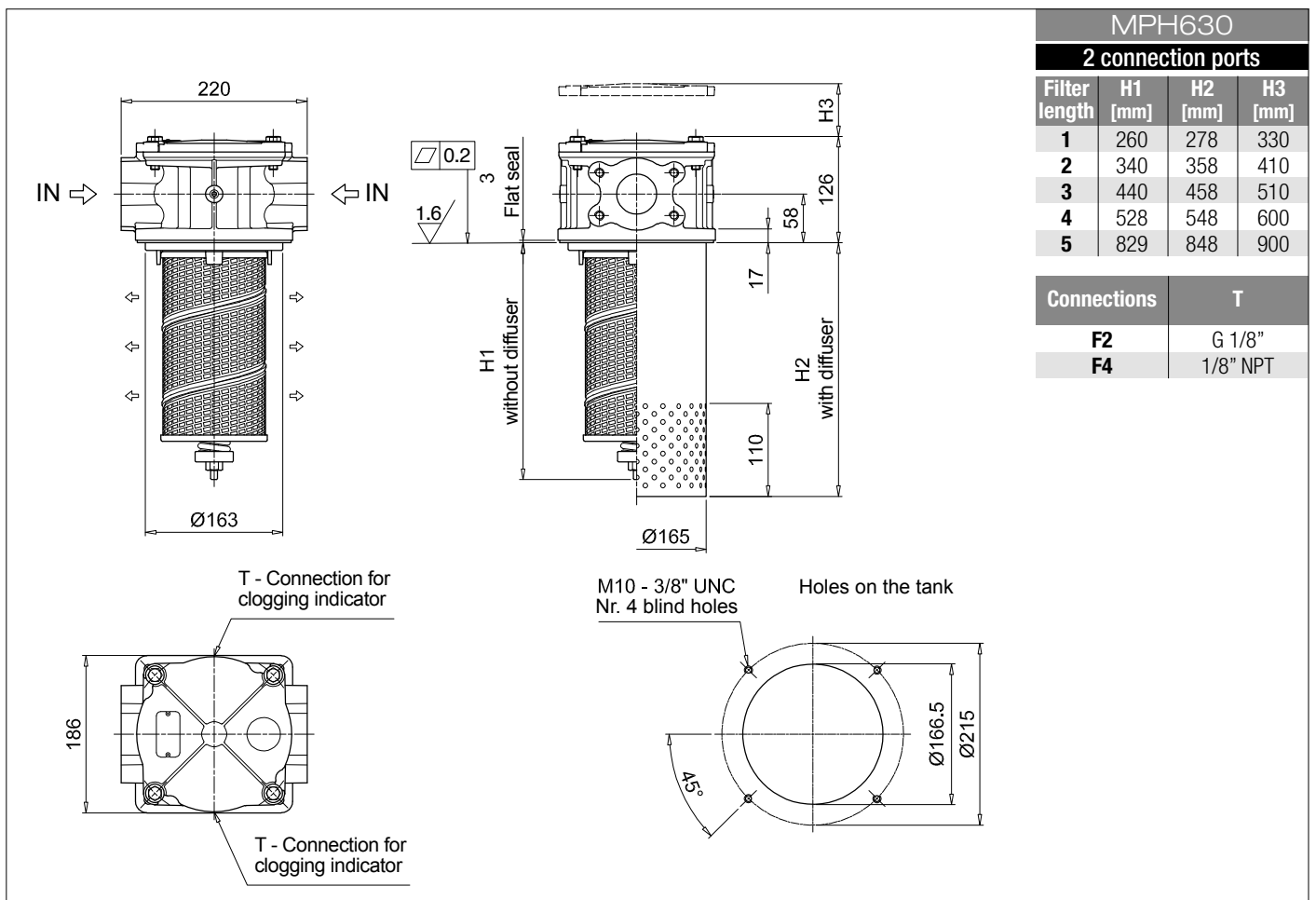
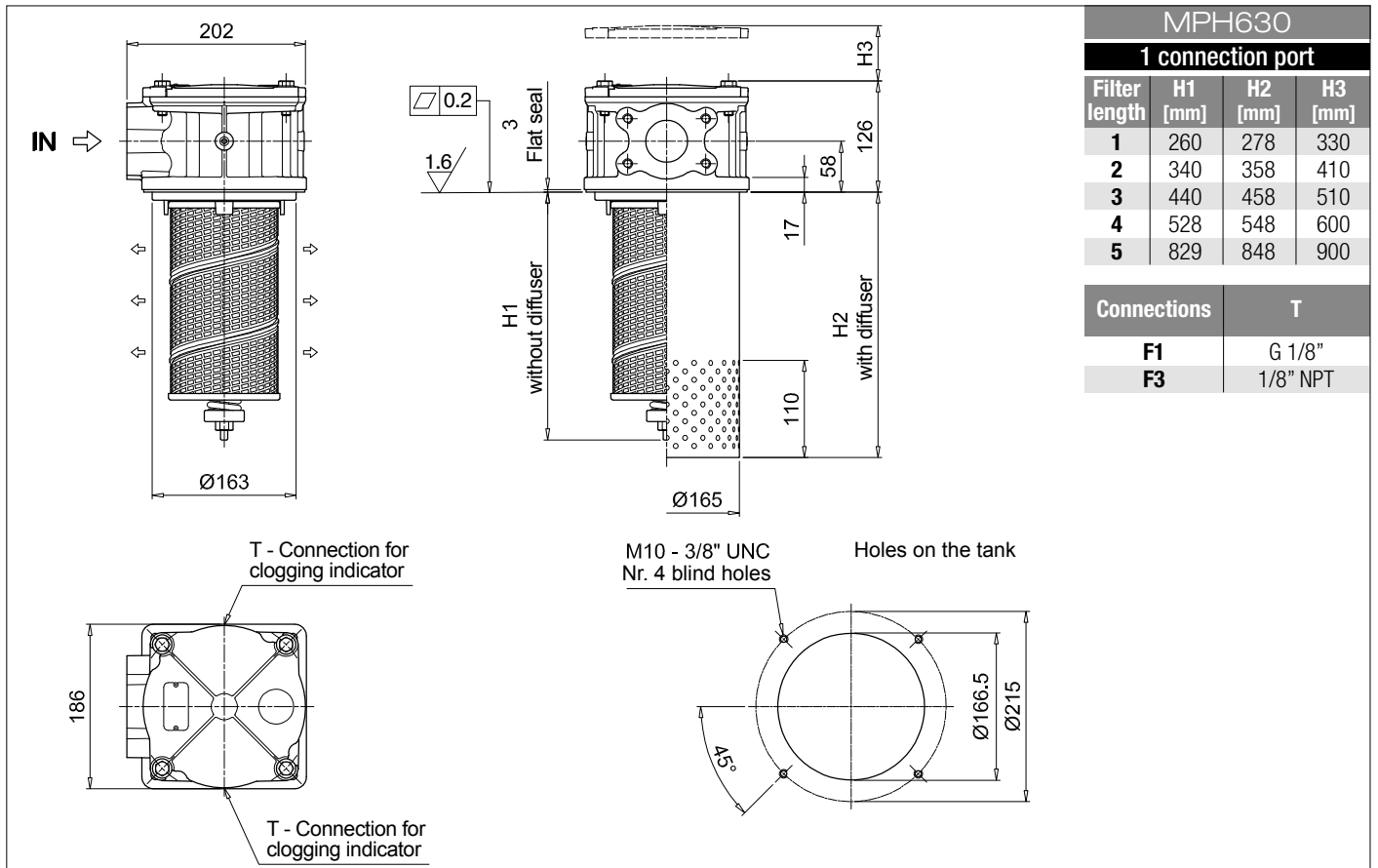
### FILTER ELEMENT

<b>Element series and size</b> <b>MR630</b>	Configuration example: <b>MR630</b>	<b>1</b>	<b>M25</b>	<b>A</b>	<b>P01</b>
<b>Element length</b>					
<b>1</b>   <b>2</b>   <b>3</b>   <b>4</b>   <b>5</b>					
<b>Filtration rating (filter media)</b>					
<b>A03</b> Inorganic microfiber 3 µm	<b>M25</b> Wire mesh 25 µm				
<b>A06</b> Inorganic microfiber 6 µm	<b>M60</b> Wire mesh 60 µm				
<b>A10</b> Inorganic microfiber 10 µm	<b>M90</b> Wire mesh 90 µm				
<b>A16</b> Inorganic microfiber 16 µm	<b>P10</b> Resin impregnated paper 10 µm				
<b>A25</b> Inorganic microfiber 25 µm	<b>P25</b> Resin impregnated paper 25 µm				
	filter element compatible with fluids HFA-HFB-HFC				
<b>Seals</b>	<b>Execution</b>				
<b>A</b> NBR	<b>P01</b> MP Filtri standard				
<b>V</b> FPM	<b>Pxx</b> Customized				

### CLOGGING INDICATORS

See page 680-681

<b>BVA</b> Axial pressure gauge	<b>BEA</b> Electrical pressure indicator
<b>BVR</b> Radial pressure gauge	<b>BEM</b> Electrical pressure indicator
<b>BVP</b> Visual pressure indicator with automatic reset	<b>BLA</b> Electrical / visual pressure indicator
<b>BVQ</b> Visual pressure indicator with manual reset	



## Designation & Ordering code

### COMPLETE FILTER

Configuration example: **MPH660** | **4** | **C** | **D** | **S** | **A** | **F2** | **A10** | **P01**

**Series and size**  
**MPH660**

**Length**  
**4** | **5**

**Bypass valve**  
**S** Without bypass | **C** 1.75 bar | **E** 2.5 bar

**Diffuser and magnetic filter**  
**D** With diffuser, with magnetic filter  
**F** With diffuser, without magnetic filter  
**O** Without diffuser, with magnetic filter  
**E** Without diffuser, without magnetic filter

**Air breather**  
**S** Without air breather

Seals and treatments	Filtration rating		
	Axx	Mxx	Pxx
<b>A</b> NBR	•	•	•
<b>V</b> FPM	•	•	•
<b>W</b> NBR head anodized	•	•	-
<b>Z</b> FPM head anodized	•	•	-

**Main Connections**  
**F1** 3" SAE 3000 psi/M  
**F2** 4" SAE 3000 psi/M

Filtration rating (filter media)	
<b>A03</b> Inorganic microfiber 3 µm	<b>M25</b> Wire mesh 25 µm
<b>A06</b> Inorganic microfiber 6 µm	<b>M60</b> Wire mesh 60 µm
<b>A10</b> Inorganic microfiber 10 µm	<b>M90</b> Wire mesh 90 µm
<b>A16</b> Inorganic microfiber 16 µm	<b>P10</b> Resin impregnated paper 10 µm
<b>A25</b> Inorganic microfiber 25 µm	<b>P25</b> Resin impregnated paper 25 µm

**Execution**  
**P01** MP Filtri standard  
**Pxx** Customized

All filter media except M60, P10 and P25 are compatible with fluids HFA, HFB and HFC

### FILTER ELEMENT

Configuration example: **MR630** | **5** | **M25** | **A** | **P01**

**Element series and size**  
**MR630**

**Element length**  
**4** | **5**

Filtration rating (filter media)	
<b>A03</b> Inorganic microfiber 3 µm	<b>M25</b> Wire mesh 25 µm
<b>A06</b> Inorganic microfiber 6 µm	<b>M60</b> Wire mesh 60 µm
<b>A10</b> Inorganic microfiber 10 µm	<b>M90</b> Wire mesh 90 µm
<b>A16</b> Inorganic microfiber 16 µm	<b>P10</b> Resin impregnated paper 10 µm
<b>A25</b> Inorganic microfiber 25 µm	<b>P25</b> Resin impregnated paper 25 µm

**Seals**  
**A** NBR  
**V** FPM

**Execution**  
**P01** MP Filtri standard  
**Pxx** Customized

### CLOGGING INDICATORS

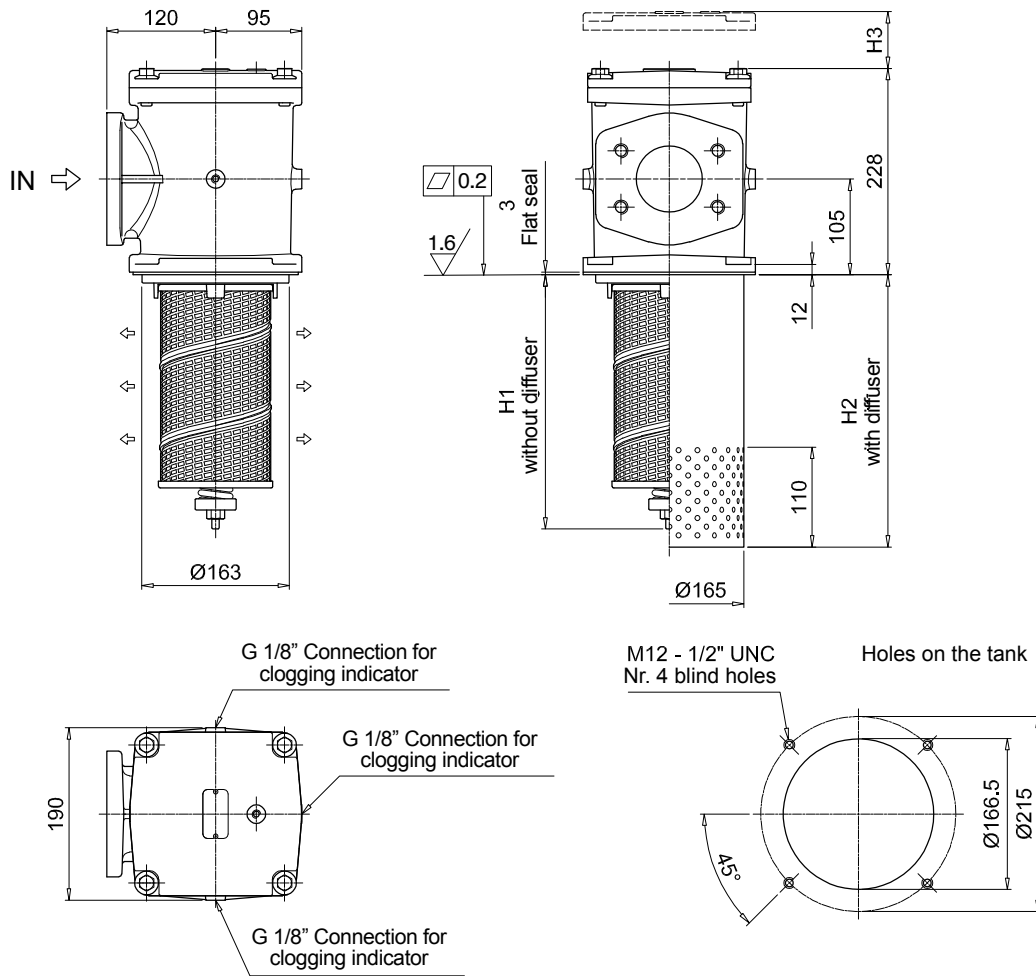
See page 680-681

**BVA** Axial pressure gauge  
**BVR** Radial pressure gauge  
**BVP** Visual pressure indicator with automatic reset  
**BVQ** Visual pressure indicator with manual reset

**BEA** Electrical pressure indicator  
**BEM** Electrical pressure indicator  
**BLA** Electrical / visual pressure indicator



MPH660			
Filter length	H1 [mm]	H2 [mm]	H3 [mm]
4	538	548	610
5	838	848	910



## Designation & Ordering code

### COMPLETE FILTER

Configuration example: **MPH850** | **1** | **C** | **D** | **S** | **A** | **F1** | **A10** | **P01**

**Series and size**  
**MPH850**

**Length**  
**1** | **2** | **3** | **4**

**Bypass valve**  
**S** Without bypass | **C** 1.75 bar

**Diffuser and magnetic filter**  
**D** With diffuser, with magnetic filter  
**F** With diffuser, without magnetic filter  
**O** Without diffuser, with magnetic filter  
**E** Without diffuser, without magnetic filter

**Air breather**  
**S** Without air breather

Seals and treatments	Filtration rating		
	Axx	Mxx	Pxx
<b>A</b> NBR	•	•	•
<b>V</b> FPM	•	•	•
<b>W</b> NBR head anodized filter element compatible with fluids HFA-HFB-HFC	•	•	-
<b>Z</b> FPM head anodized	•	•	-

Main Connections	Rear connections
<b>F1</b> UNI 2223 DN 100 PN 10/16	3" SAE 3000 psi/M
<b>F2</b> UNI 2223 DN 100 PN 10/16	3" SAE 3000 psi/UNC
<b>F5</b> Not machined	3" SAE 3000 psi/M
<b>F6</b> Not machined	3" SAE 3000 psi/UNC
<b>F7</b> 4" SAE 3000 psi/M	3" SAE 3000 psi/M
<b>F8</b> 4" SAE 3000 psi/UNC	3" SAE 3000 psi/UNC

**Filtration rating (filter media)**

<b>A03</b> Inorganic microfiber 3 µm	<b>M25</b> Wire mesh 25 µm
<b>A06</b> Inorganic microfiber 6 µm	<b>M60</b> Wire mesh 60 µm
<b>A10</b> Inorganic microfiber 10 µm	<b>M90</b> Wire mesh 90 µm
<b>A16</b> Inorganic microfiber 16 µm	<b>P10</b> Resin impregnated paper 10 µm
<b>A25</b> Inorganic microfiber 25 µm	<b>P25</b> Resin impregnated paper 25 µm

**Execution**  
**P01** MP Filtri standard  
**Pxx** Customized

All filter media except M60, P10 and P25 are compatible with fluids HFA, HFB and HFC

### FILTER ELEMENT

Configuration example: **MR850** | **1** | **A10** | **A** | **P01**

**Element series and size**  
**MR850**

**Element length**  
**1** | **2** | **3** | **4**

**Filtration rating (filter media)**

<b>A03</b> Inorganic microfiber 3 µm	<b>M25</b> Wire mesh 25 µm
<b>A06</b> Inorganic microfiber 6 µm	<b>M60</b> Wire mesh 60 µm
<b>A10</b> Inorganic microfiber 10 µm	<b>M90</b> Wire mesh 90 µm
<b>A16</b> Inorganic microfiber 16 µm	<b>P10</b> Resin impregnated paper 10 µm
<b>A25</b> Inorganic microfiber 25 µm	<b>P25</b> Resin impregnated paper 25 µm

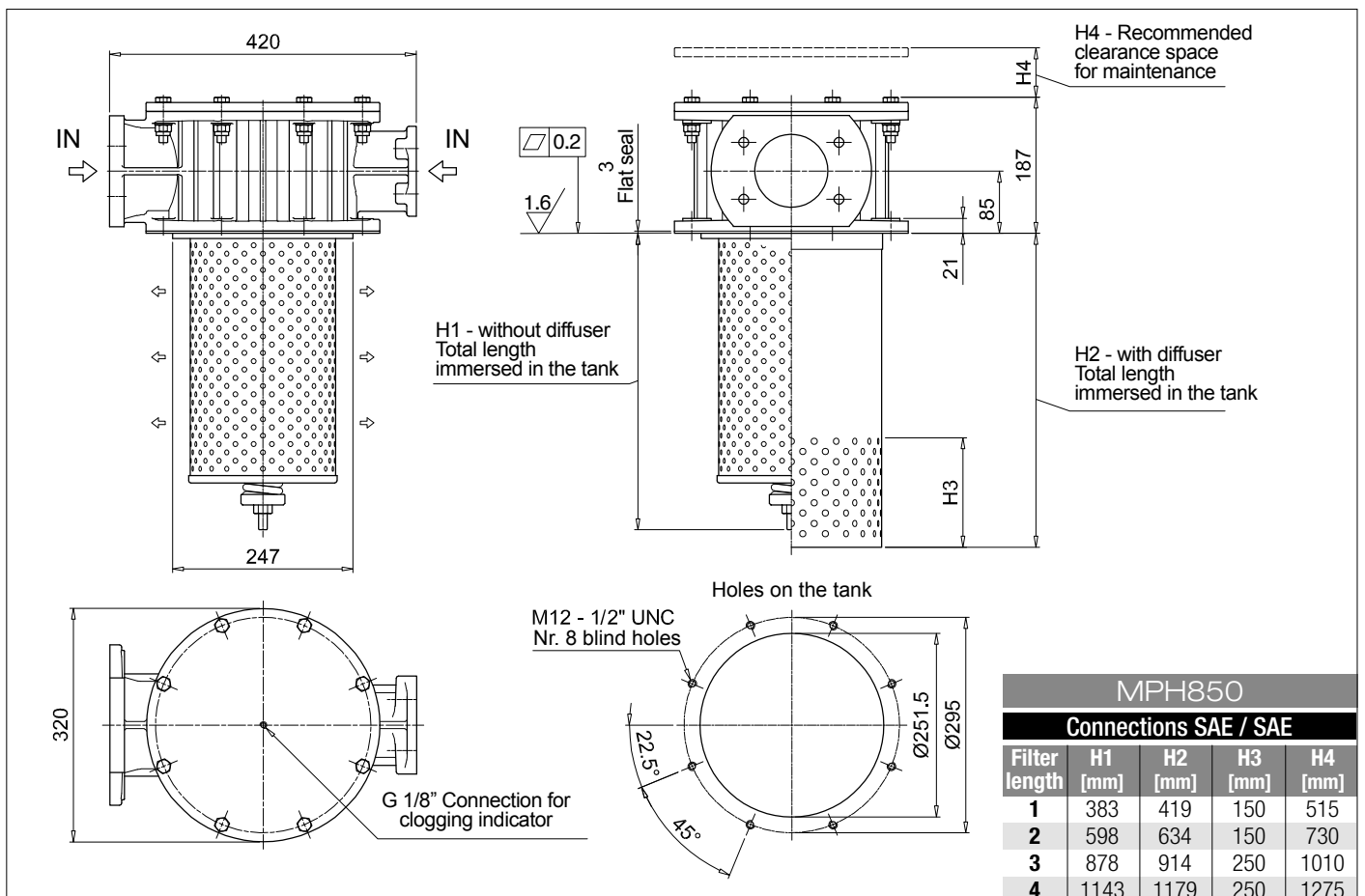
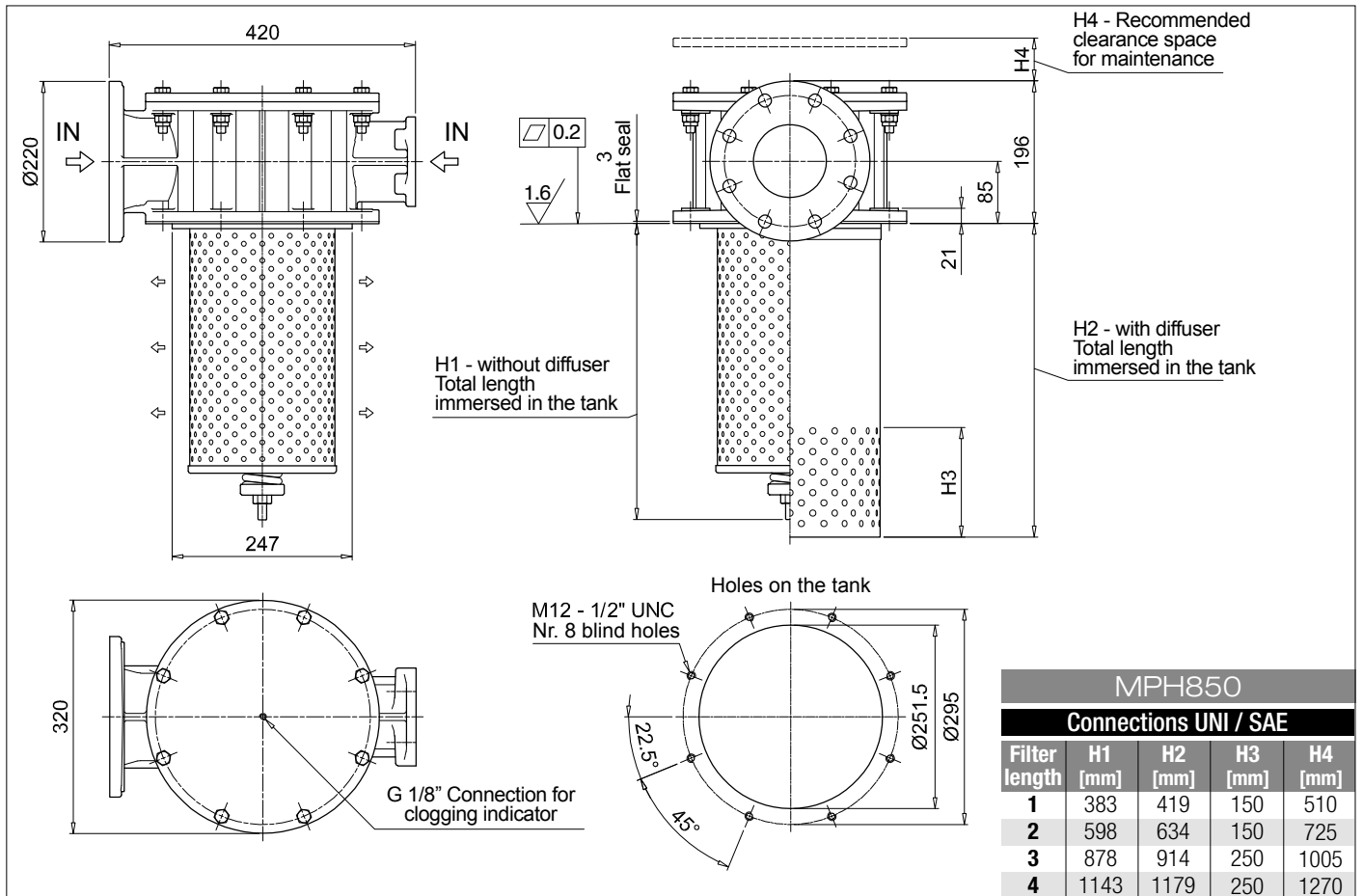
Seals	Execution
<b>A</b> NBR	<b>P01</b> MP Filtri standard
<b>V</b> FPM	<b>Pxx</b> Customized

### CLOGGING INDICATORS

See page 680-681

<b>BVA</b> Axial pressure gauge
<b>BVR</b> Radial pressure gauge
<b>BVP</b> Visual pressure indicator with automatic reset
<b>BVQ</b> Visual pressure indicator with manual reset

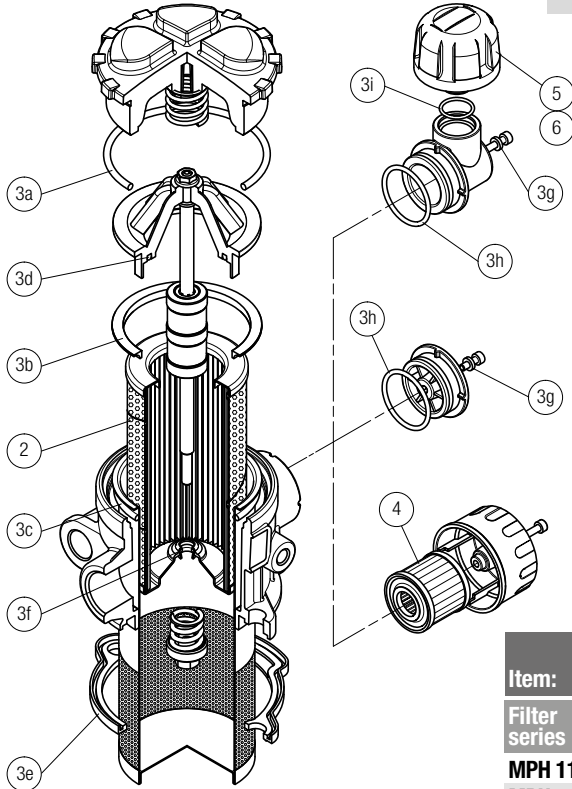
<b>BEA</b> Electrical pressure indicator
<b>BEM</b> Electrical pressure indicator
<b>BLA</b> Electrical / visual pressure indicator



# MPH SPARE PARTS

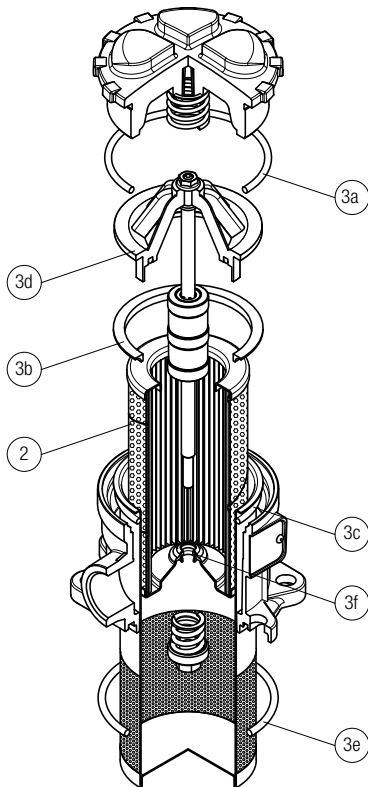
Order number for spare parts

## MPH 110 - 114



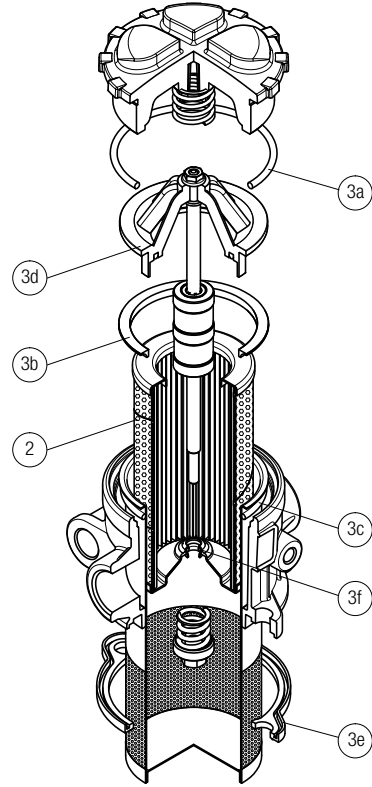
Item:	Q.ty: 1 pc.	Q.ty: 1 pc.		Q.ty: 1 pc.	Q.ty: 1 pc.		Q.ty: 1 pc.
Filter series	Filter element	Seal Kit code number		Air breather filter element - version:			
		NBR	FPM	C	D	P	
MPH 110	See order table	02050565	02050566	10 µm A3L03	10 µm SAP50G3L03A0P01	10 µm SAP50G3L03A1P01	
MPH 114	See order table	02050582	02050583				

## MPH 116



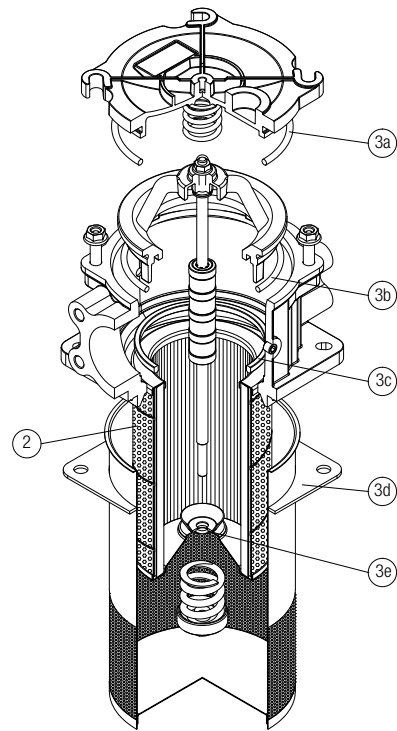
Item:	Q.ty: 1 pc.	Q.ty: 1 pc.	
Filter series	Filter element	Seal Kit code number	
		NBR	FPM
MPH 116	See order table	02050741	02050742

## MPH 120



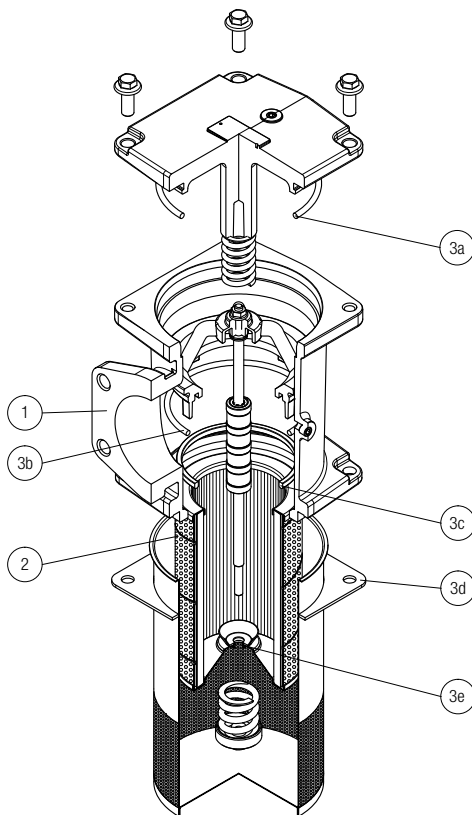
Item:	Q.ty: 1 pc.	Q.ty: 1 pc.	
Filter series	Filter element	Seal Kit code number	
		NBR	FPM
MPH 120	See order table	02050567	02050568

## MPH 250 - 630



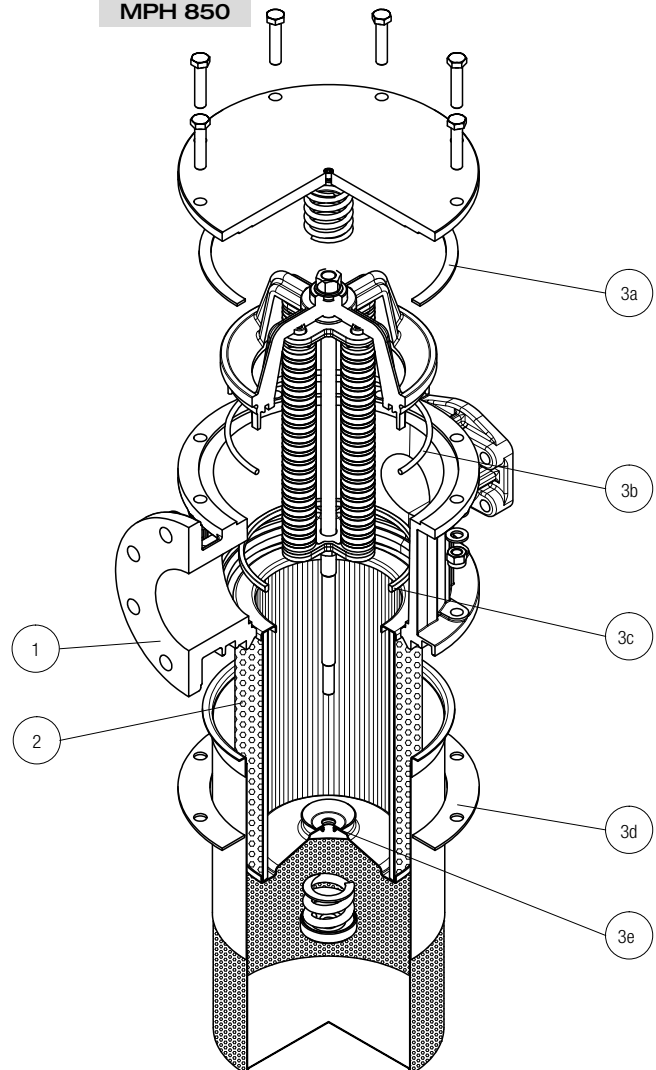
Item:	Q.ty: 1 pc.	Q.ty: 1 pc.	
Filter series	Filter element	Seal Kit code number	
MPH 250	MPH 630	NBR	FPM
	2	3 (3a ÷ 3e)	
	See order table	02050151	02050152
	See order table	02050153	02050154

## MPH 660



Item:	Q.ty: 1 pc.	Q.ty: 1 pc.	
Filter series	Filter element	Seal Kit code number	
MPH 660	MPH 850	NBR	FPM
	2	3 (3a ÷ 3e)	
	See order table	02050153	02050154
	See order table	02050155	02050156

## MPH 850





# MPI series

Maximum working pressure up to 1 MPa (10 bar) - Flow rate up to 3500 l/min



## Description

## Technical data

### Return filter

**Maximum working pressure up to 1 MPa (10 bar)**

**Flow rate up to 3500 l/min**

MPI is a range of return filter kits for protection of the reservoir against the system contamination.

They are directly integrated in the reservoir in immersed or semi-immersed position to save space into the tank.

The use of the diffuser is recommended, to place the filter output always immersed into the fluid to avoid aeration or foam generation into the reservoir.

The filtration from inside to outside allows a cleaner filter element replacement, the dirty remains into the filter element.

#### Available features:

- Fine filtration rating, to get a good cleanliness level into the reservoir
- Bypass valve, to relieve excessive pressure drop across the filter media
- Magnetic filter, to hold the ferrous particles
- Oil dipstick, to easily check the level of the fluid into the reservoir (separate item)
- Diffuser, to reduce the risk of aeration, foaming and noise

#### Common applications:

Heavy duty industrial equipment

### Filter housing materials

- Insert assembly  
Polyamide, GF reinforced: MPI 100  
Aluminium: MPI 250-630-850

- Diffuser: Tinned Steel

- Valve: Steel

### Bypass valve

- Opening pressure 175 kPa (1.75 bar)  $\pm 10\%$
- Opening pressure 250 kPa (2.5 bar)  $\pm 10\%$ , except for MPI 850

### $\Delta p$ element type

- Microfibre filter elements - series MR: 10 bar
- Fluid flow through the filter element from IN to OUT

### Seals

- Standard NBR series A
- Optional FPM series V

### Temperature

From -25 °C to +110 °C

### Note

MPI filters are provided for vertical mounting

## Weights [kg] and volumes [dm<sup>3</sup>]

Filter series	Weights [kg]					Volumes [dm <sup>3</sup> ]						
	Length	1	2	3	4	5	Length	1	2	3	4	5
<b>MPI 100</b>		0.90	1.00	1.20	1.50	1.80		0.90	0.90	1.20	1.60	1.80
<b>MPI 250</b>		2.20	2.50	2.90	4.30	-		3.50	3.50	4.50	7.00	-
<b>MPI 630</b>		3.40	3.90	4.30	5.40	6.60		5.80	7.40	9.50	11.40	13.50
<b>MPI 850</b>		15.20	18.20	21.20	25.20	-		8.80	12.20	16.70	20.80	-



## FILTER ASSEMBLY SIZING Flow rates [l/min]

Filters series	Length	A03	A06	A10	A16	A25	M25 M60 M90	P10	P25
<b>MPI 100</b>	<b>1</b>	26	29	72	79	107	282	164	190
	<b>2</b>	43	46	112	114	161	318	164	190
	<b>3</b>	64	72	132	156	178	324	219	251
	<b>4</b>	90	99	184	198	216	324	266	302
	<b>5</b>	117	128	201	219	244	324	282	318
<b>MPI 250</b>	<b>1</b>	93	102	210	251	315	1093	339	383
	<b>2</b>	124	151	327	412	421	1122	460	514
	<b>3</b>	189	221	418	445	500	1137	544	616
	<b>4</b>	261	304	592	670	766	1166	832	923
<b>MPI 630</b>	<b>1</b>	160	200	369	423	518	1894	565	632
	<b>2</b>	240	257	571	611	1045	1929	1137	1285
	<b>3</b>	330	374	745	788	1308	1938	1416	1577
	<b>4</b>	374	403	887	1010	1348	1956	1448	1612
	<b>5</b>	625	698	1210	1257	1723	2121	1839	1929
<b>MPI 850</b>	<b>1</b>	775	1041	1246	1568	2242	3311	2371	2625
	<b>2</b>	1176	1522	1682	1747	2449	3378	2684	2886
	<b>3</b>	1490	1914	1995	2014	3035	3405	3144	3220
	<b>4</b>	1668	2088	2305	2363	3169	3517	3272	3378

### Maximum flow rate for a complete return filter with a pressure drop $\Delta p = 0.5$ bar.

The reference fluid has a kinematic viscosity of 30 mm<sup>2</sup>/s (cSt) and a density of 0.86 kg/dm<sup>3</sup>.

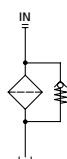
For different pressure drop or fluid viscosity we recommend to use our selection software available on [www.mpfiltri.com](http://www.mpfiltri.com).

You can also calculate the right size using the formulas present on the FILTER SIZING paragraph at the beginning of the full catalogue or at the beginning of the filter family brochure.

Please, contact our Sales Department for further additional information.

## Hydraulic symbol

Filter series	Style 1 connection
<b>MPI 100</b>	•
<b>MPI 250</b>	•
<b>MPI 630</b>	•
<b>MPI 850</b>	•



# MPI MPI100 - MPI250 - MPI630 - MPI850

## Designation & Ordering code

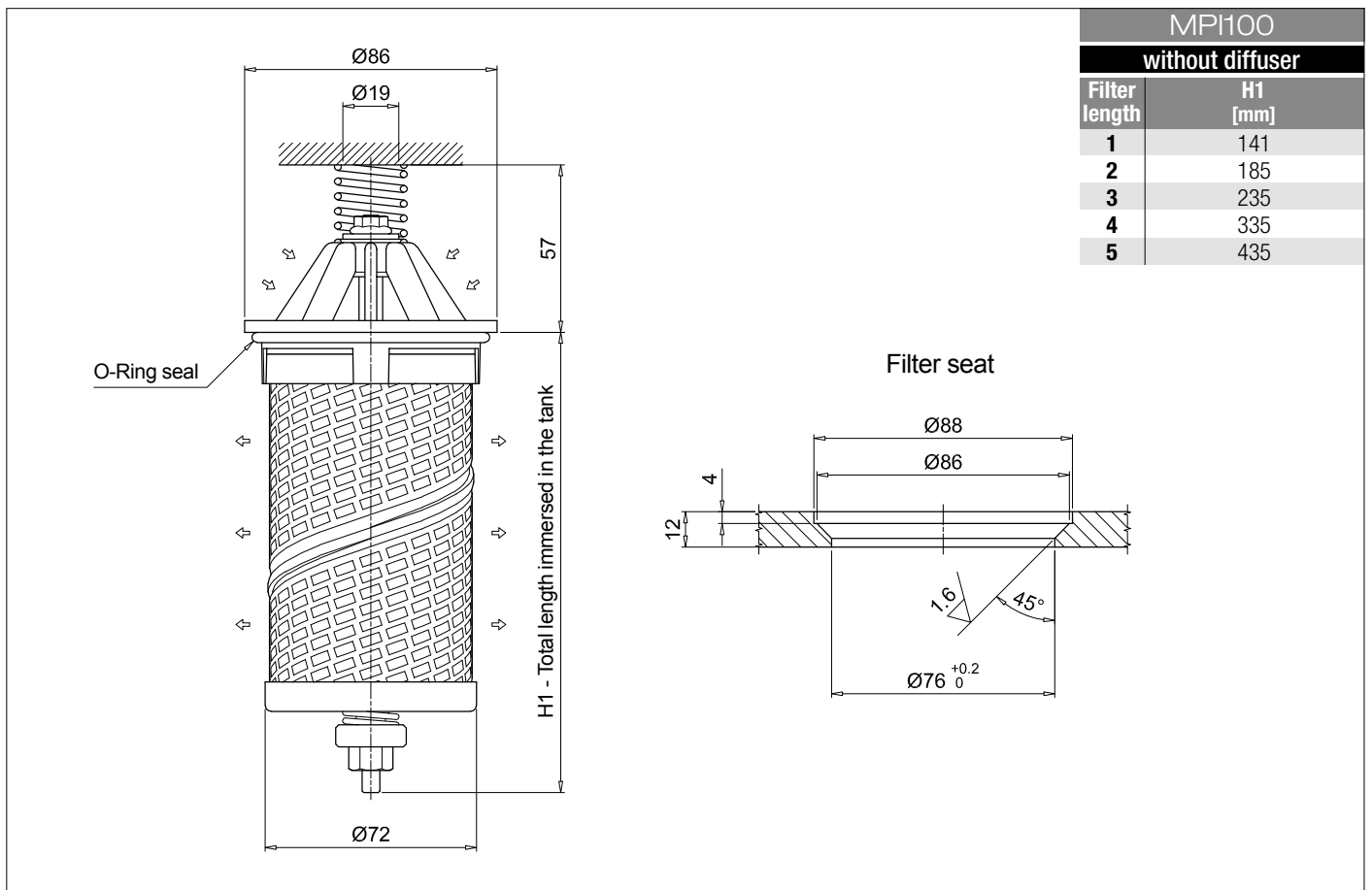
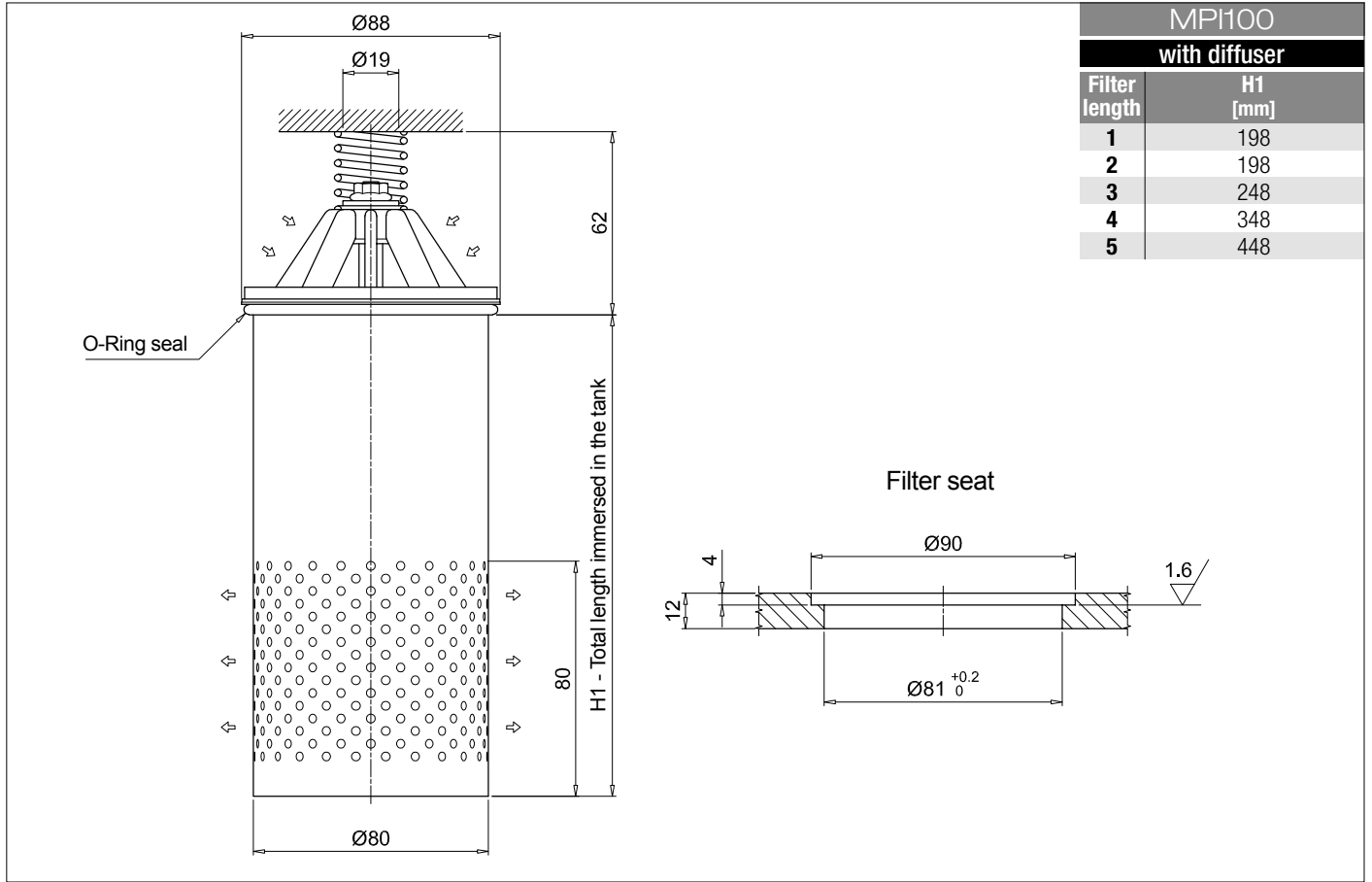
### COMPLETE FILTER

<b>Series and size</b>					Configuration example 1: <b>MPI100</b>   <b>1</b>   <b>C</b>   <b>D</b>   <b>A</b>   <b>A10</b>   <b>P01</b>							
<b>MPI100</b>					Configuration example 2: <b>MPI630</b>   <b>5</b>   <b>E</b>   <b>D</b>   <b>Z</b>   <b>M25</b>   <b>P01</b>							
<b>MPI250</b>												
<b>MPI630</b>												
<b>MPI850</b>												
<b>Length</b>					<b>MPI100</b>	<b>MPI250</b>	<b>MPI630</b>	<b>MPI850</b>				
<b>1</b>	•	•	•	•								
<b>2</b>	•	•	•	•								
<b>3</b>	•	•	•	•								
<b>4</b>	•	•	•	•								
<b>5</b>	•	-	•	-								
<b>Bypass valve</b>					<b>MPI100</b>	<b>MPI250</b>	<b>MPI630</b>	<b>MPI850</b>				
<b>S</b> Without bypass	•	•	•	•								
<b>C</b> 1.75 bar	•	•	•	•								
<b>E</b> 2.5 bar	•	•	•	-								
<b>Diffuser and magnetic filter</b>												
<b>D</b>	With diffuser, with magnetic filter											
<b>F</b>	With diffuser, without magnetic filter											
<b>O</b>	Without diffuser, with magnetic filter											
<b>E</b>	Without diffuser, without magnetic filter											
<b>Seals and treatments</b>					<b>Filtration rating</b>							
					<b>Axx</b>	<b>Mxx</b>	<b>Pxx</b>					
<b>A</b>	NBR				•	•	•					
<b>V</b>	FPM				•	•	•					
<b>W</b>	NBR	head anodized	filter element compatible	with fluids HFA-HFB-HFC	•	•	-					
<b>Z</b>	FPM	head anodized	filter element compatible	with fluids HFA-HFB-HFC	•	•	-					
<b>Filtration rating (filter media)</b>												
<b>A03</b>	Inorganic microfiber	3 µm	<b>M25</b>	Wire mesh	25 µm							
<b>A06</b>	Inorganic microfiber	6 µm	<b>M60</b>	Wire mesh	60 µm							
<b>A10</b>	Inorganic microfiber	10 µm	<b>M90</b>	Wire mesh	90 µm							
<b>A16</b>	Inorganic microfiber	16 µm	<b>P10</b>	Resin impregnated paper	10 µm							
<b>A25</b>	Inorganic microfiber	25 µm	<b>P25</b>	Resin impregnated paper	25 µm							
					<b>Execution</b>							
					<b>P01</b> MP Filtri standard							
					<b>Pxx</b> Customized							

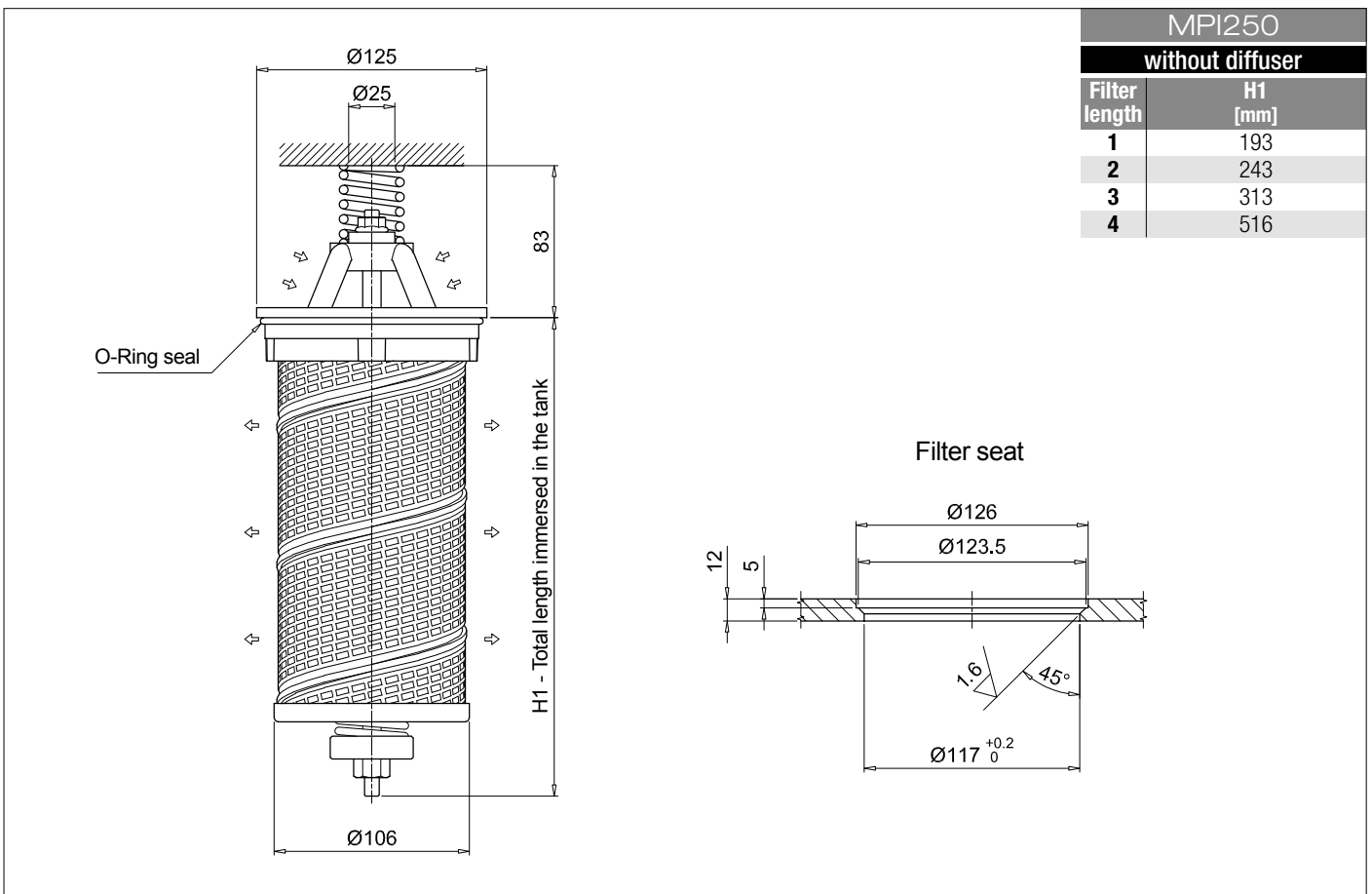
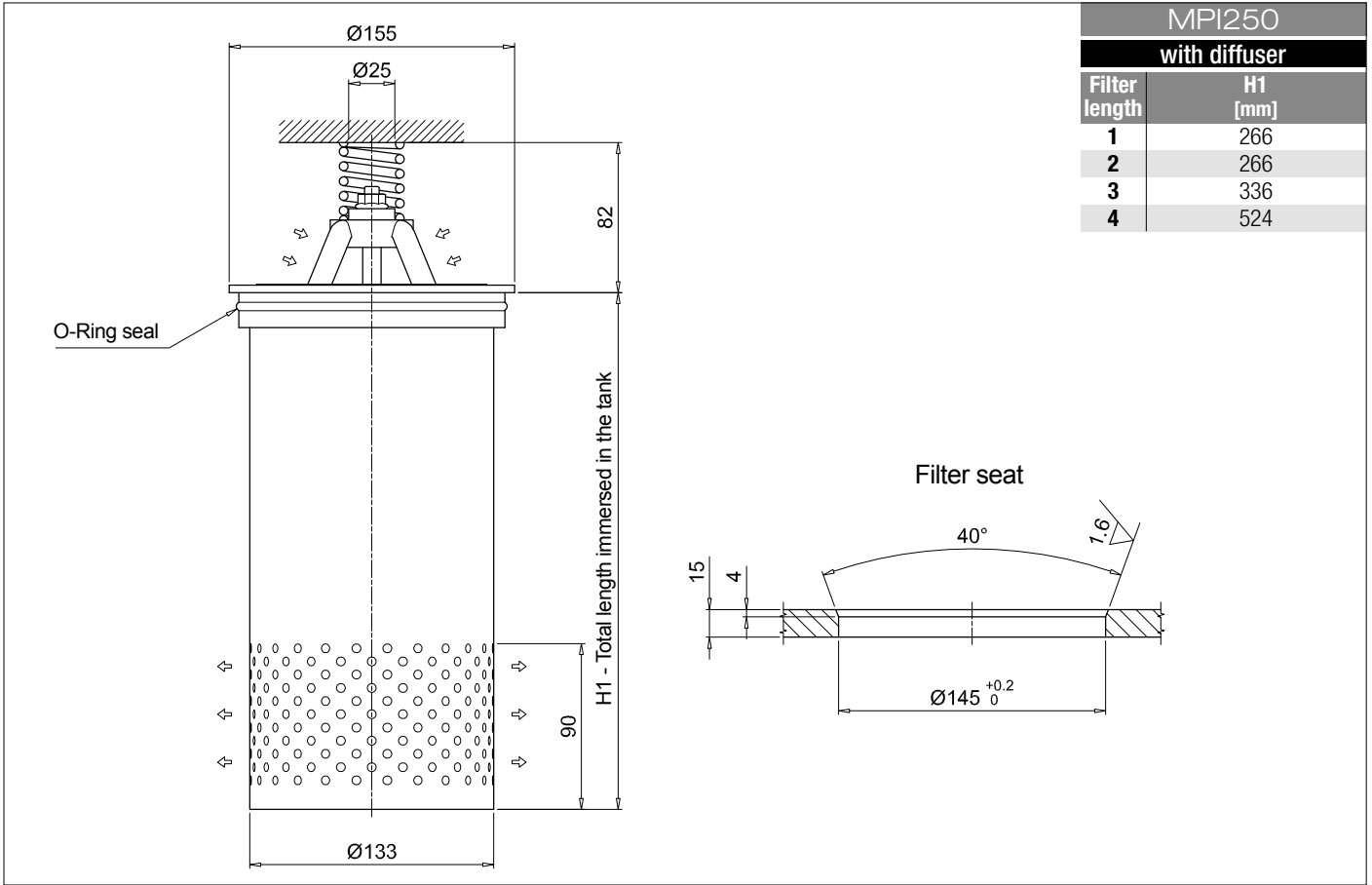
All filter media except M60, P10 and P25 are compatible with fluids HFA, HFB and HFC

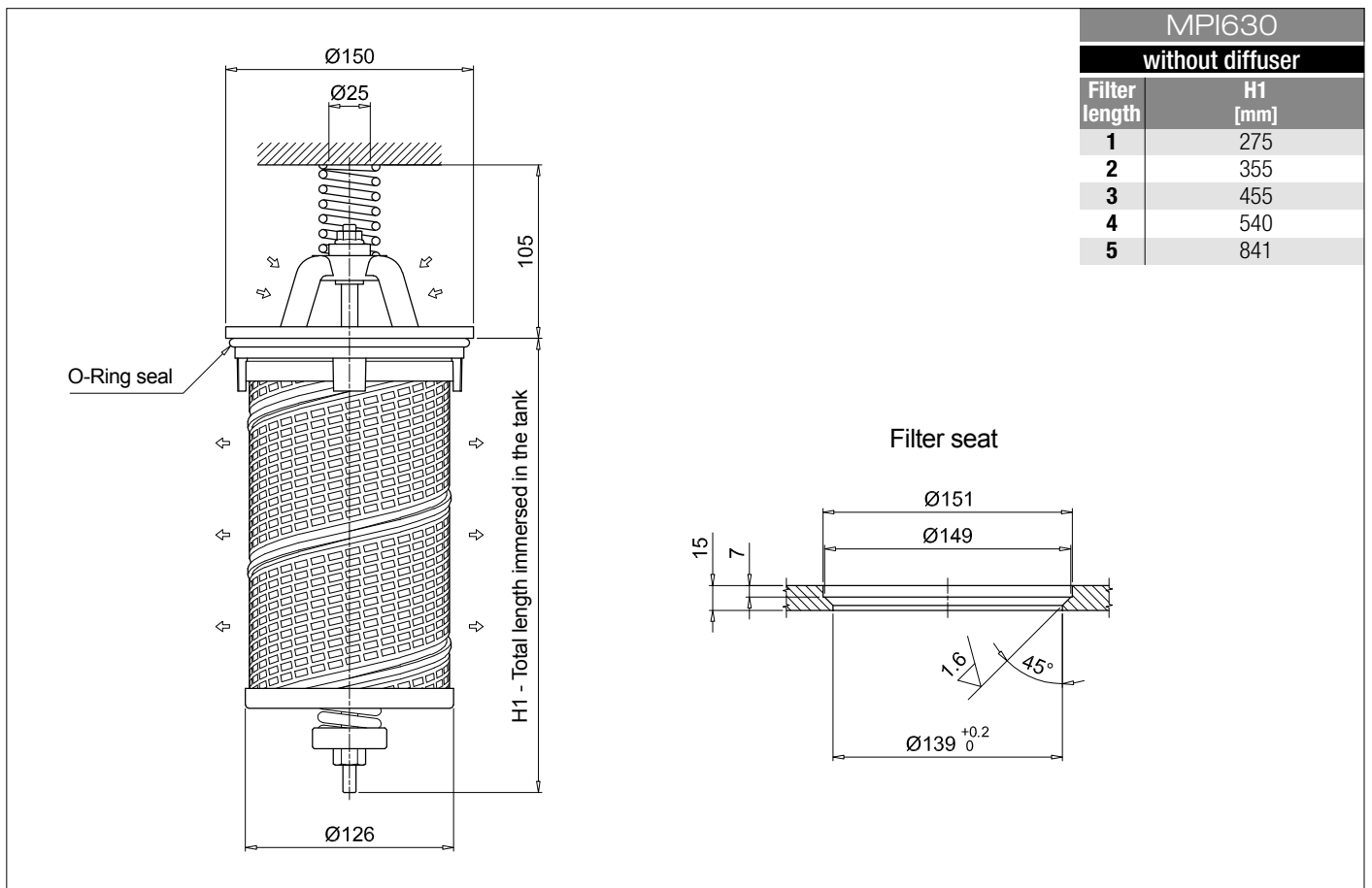
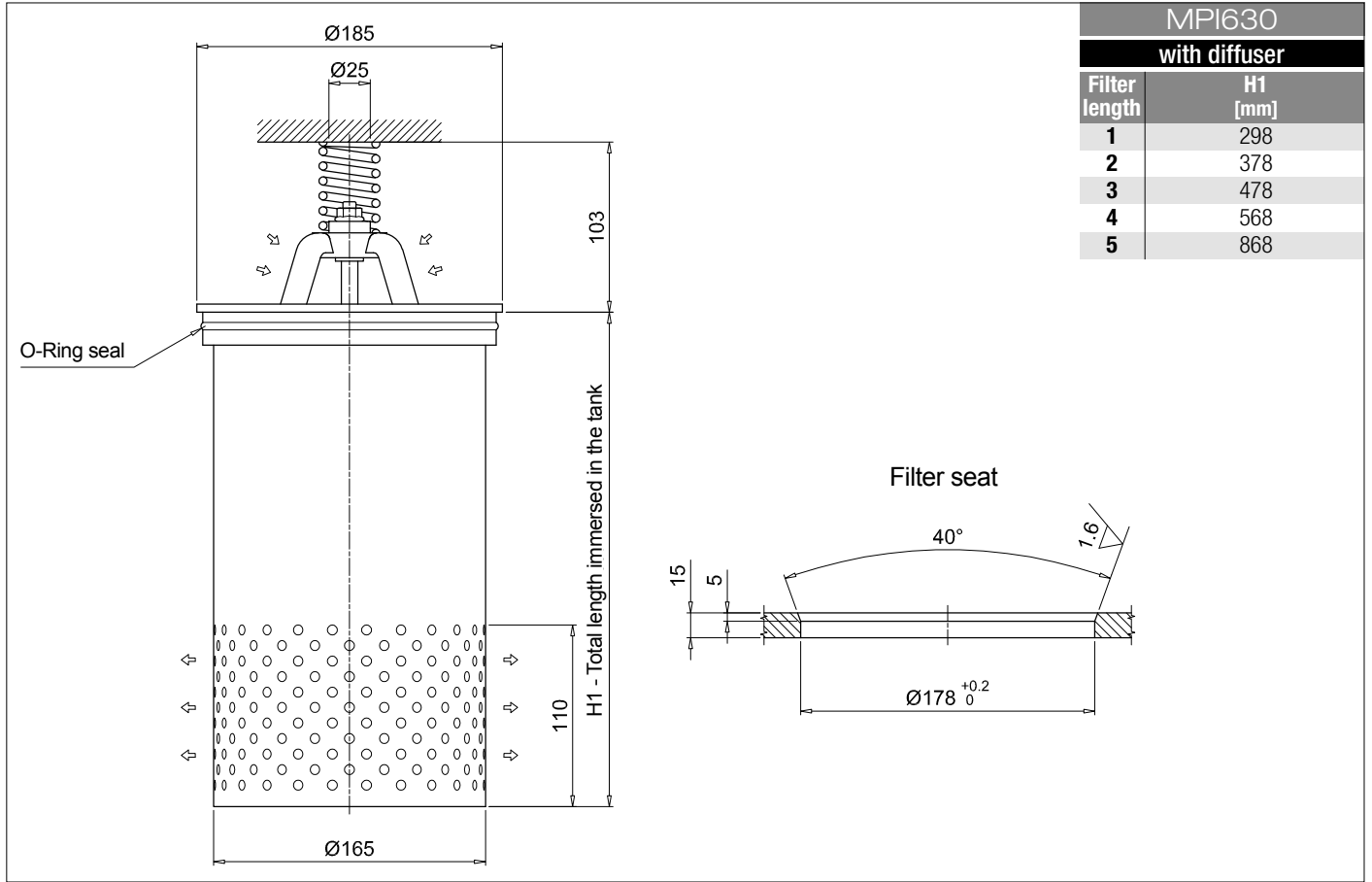
### FILTER ELEMENT

<b>Element series and size</b>					Configuration example 1: <b>MR100</b>   <b>1</b>   <b>A10</b>   <b>A</b>   <b>P01</b>							
<b>MR100</b>					Configuration example 2: <b>MR630</b>   <b>5</b>   <b>M25</b>   <b>V</b>   <b>P01</b>							
<b>MR250</b>												
<b>MR630</b>												
<b>MR850</b>												
<b>Element length</b>					<b>Size 100</b>	<b>Size 250</b>	<b>Size 630</b>	<b>Size 850</b>				
<b>1</b>	•	•	•	•								
<b>2</b>	•	•	•	•								
<b>3</b>	•	•	•	•								
<b>4</b>	•	•	•	•								
<b>5</b>	•	-	•	-								
<b>Filtration rating (filter media)</b>												
<b>A03</b>	Inorganic microfiber	3 µm	<b>M25</b>	Wire mesh	25 µm							
<b>A06</b>	Inorganic microfiber	6 µm	<b>M60</b>	Wire mesh	60 µm							
<b>A10</b>	Inorganic microfiber	10 µm	<b>M90</b>	Wire mesh	90 µm							
<b>A16</b>	Inorganic microfiber	16 µm	<b>P10</b>	Resin impregnated paper	10 µm							
<b>A25</b>	Inorganic microfiber	25 µm	<b>P25</b>	Resin impregnated paper	25 µm							
					<b>Seals</b>							
					<b>A</b> NBR							
					<b>V</b> FPM							
					<b>Execution</b>							
					<b>P01</b> MP Filtri standard							
					<b>Pxx</b> Customized							

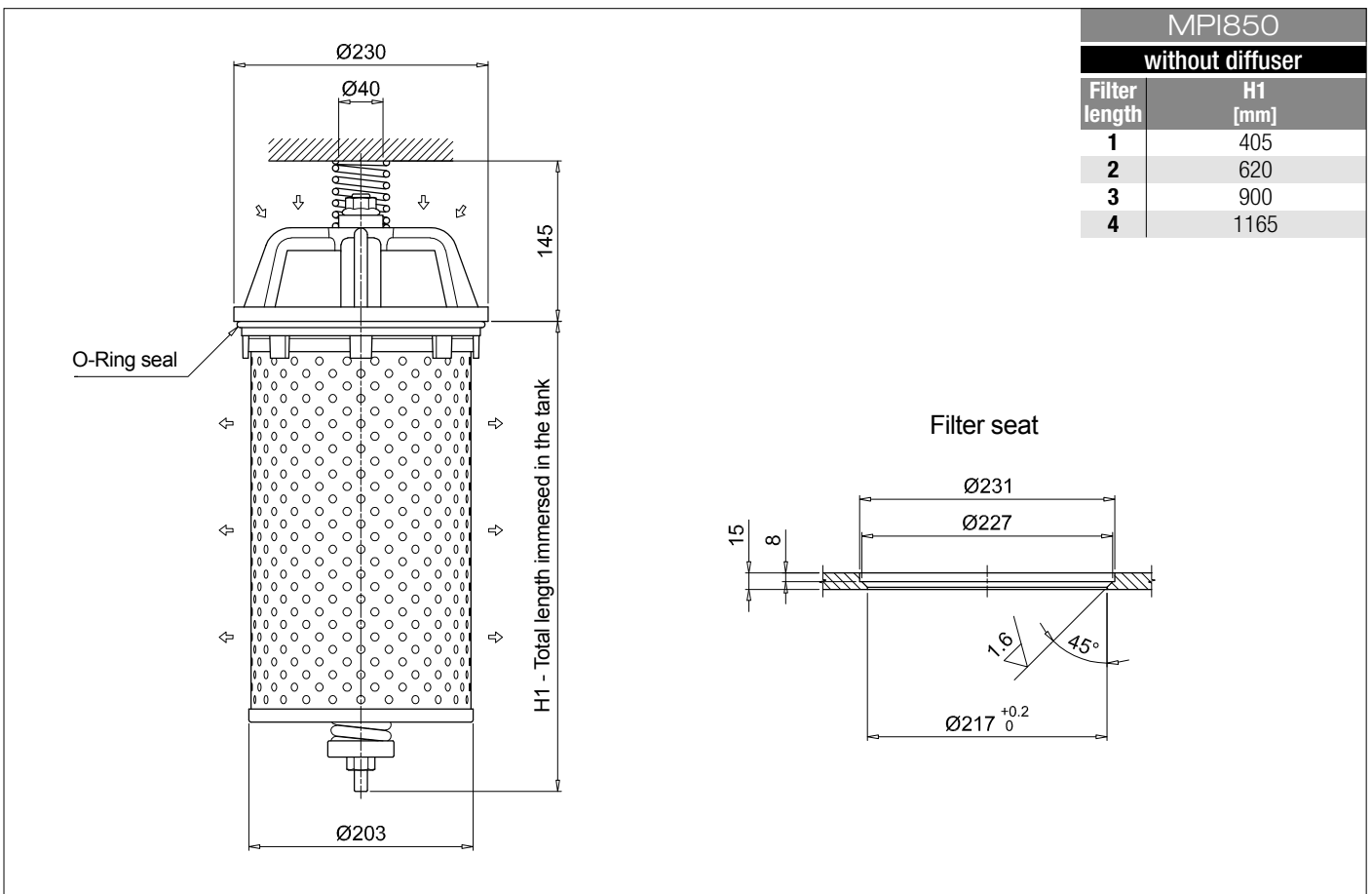
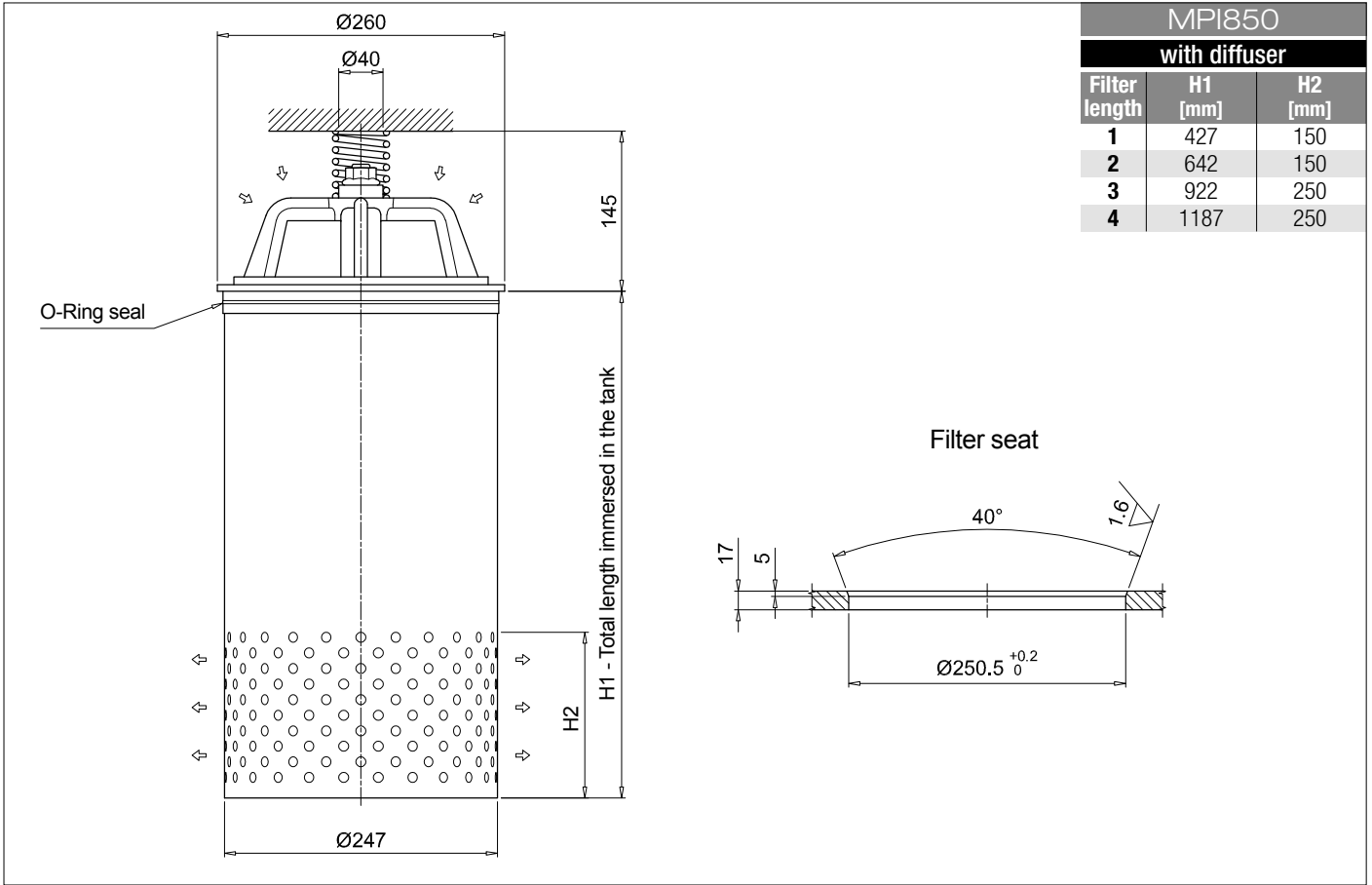


## Dimensions





## Dimensions

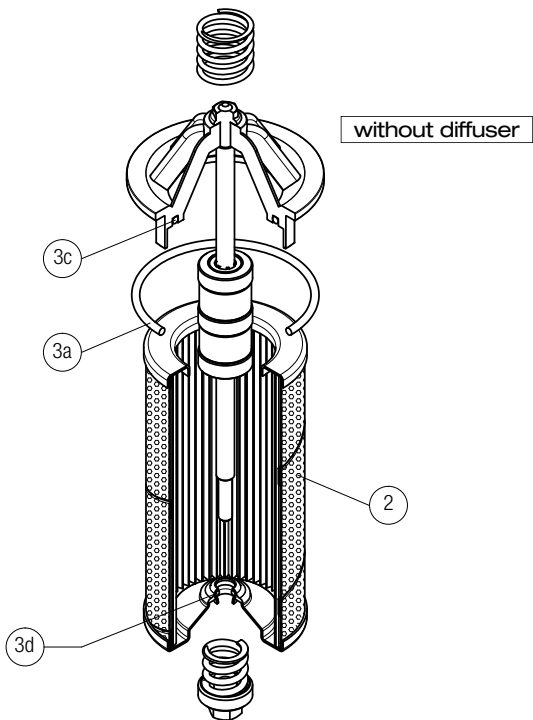
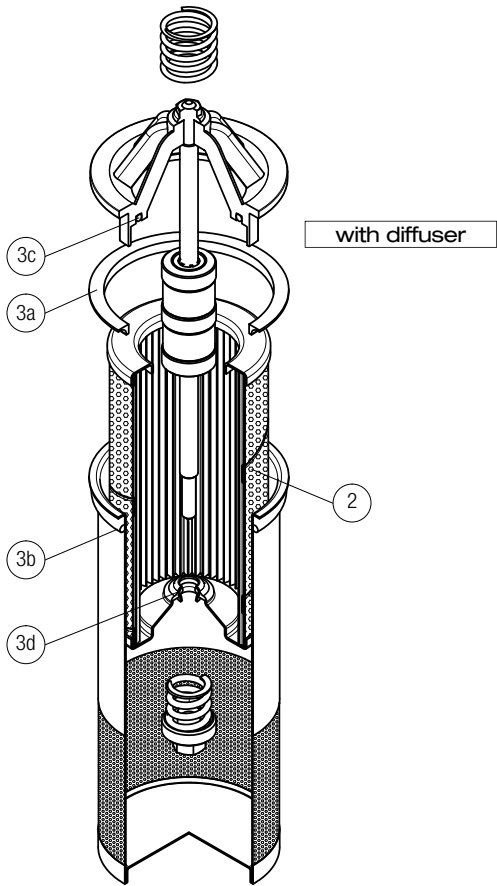




# MPI SPARE PARTS

Order number for spare parts

## MPI 100



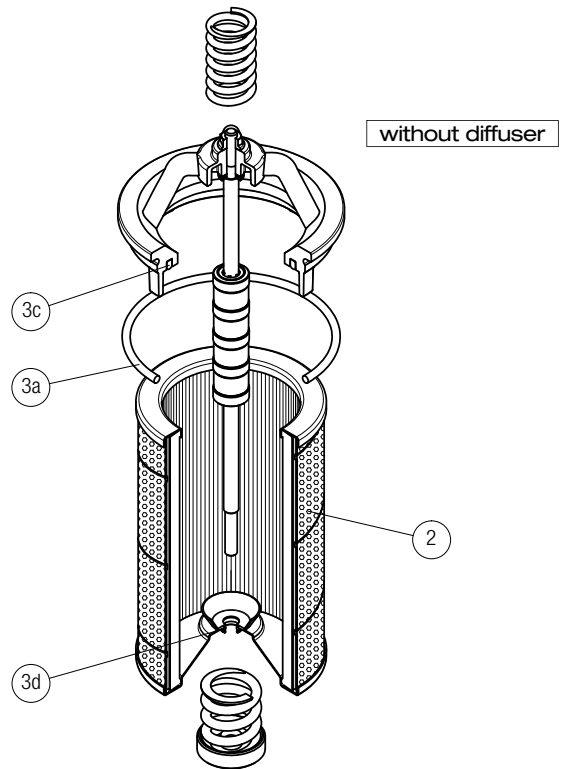
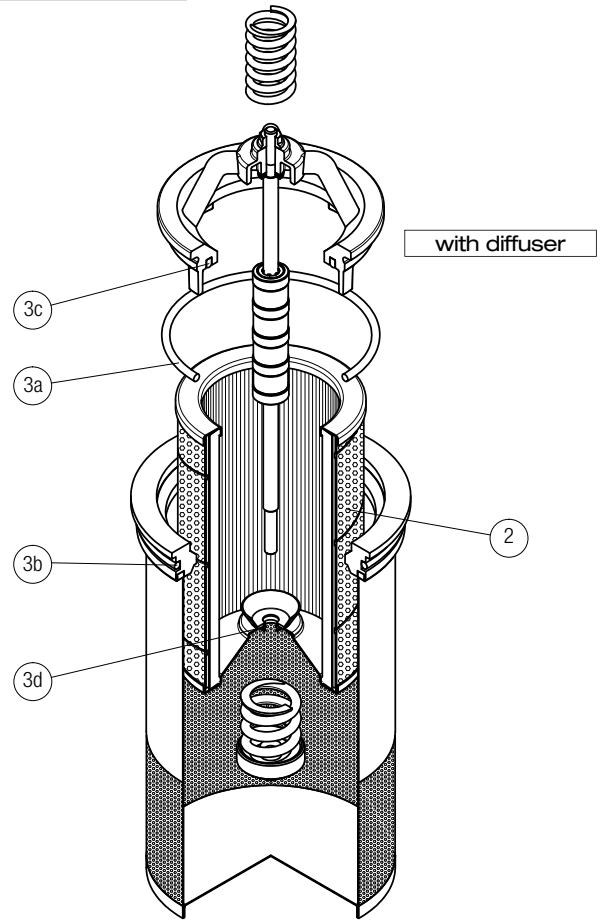
Q.ty: 1 pc.

Q.ty: 1 pc.

Item: **2** **3** (3a ÷ 3d)

Filter series	Filter element	Seal Kit code number	
		NBR	FPM
<b>MPI 100</b>	See order table	02050145	02050146

## MPI 250 - 630



Q.ty: 1 pc.

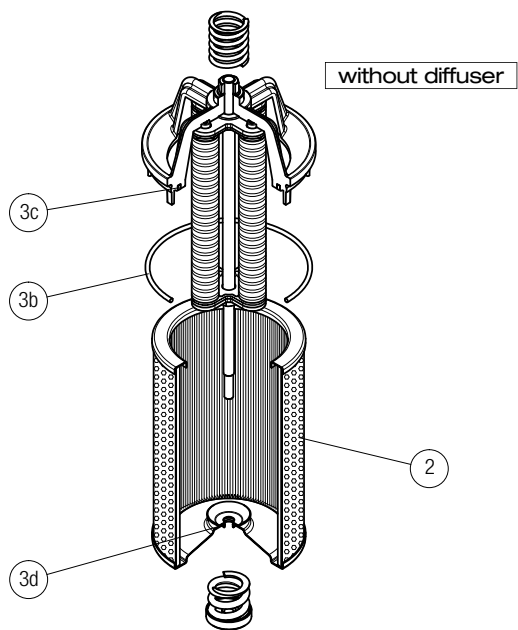
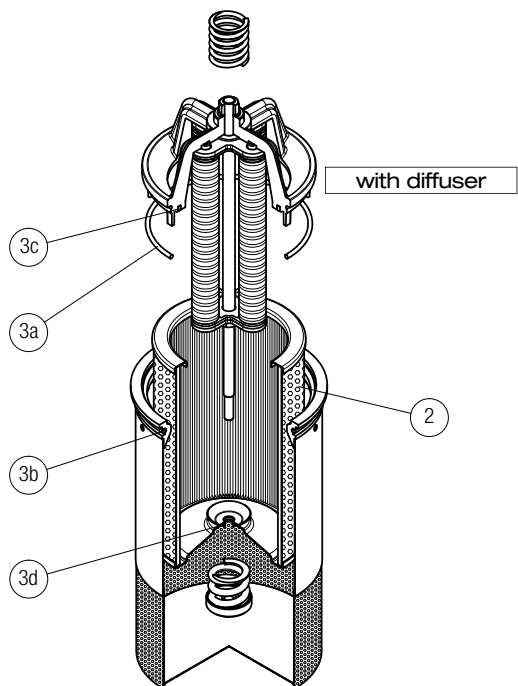
Q.ty: 1 pc.

Item: **2** **3** (3a ÷ 3d)

Filter series	Filter element	Seal Kit code number	
		NBR	FPM
<b>MPI 250</b>	See order table	02050147	02050148
<b>MPI 630</b>		02050112	02050113



MPI 850



Item:	Q.ty: 1 pc. <b>2</b>	Q.ty: 1 pc. <b>3</b> (3a ÷ 3d)
Filter series	Filter element	Seal Kit code number NBR FPM
MPI 850	See order table	02050114 02050115



# FRI series

Maximum working pressure up to 2 MPa (20 bar) - Flow rate up to 2500 l/min



## Description

## Technical data

### Return filter

**Maximum working pressure up to 2 MPa (20 bar)**  
**Flow rate up to 2500 l/min**

FRI is a range of return filters for protection of the reservoir against the system contamination.

They could be directly fixed to the reservoir in immersed or semi-immersed position or connected to the lines of the system through the hydraulic fittings.

The filter output must be always immersed into the fluid to avoid aeration or foam generation into the reservoir.

### Available features:

- Female threaded connections up to 2 1/2" and flanged connections up to 3 1/2", for a maximum flow rate of 2500 l/min
- Double input connections, to connect several return lines or drains
- Fine filtration rating, to get a good cleanliness level into the reservoir
- Bypass valve, to relieve excessive pressure drop across the filter media
- Visual, electrical and electronic differential clogging indicators

### Common applications:

Heavy duty industrial equipment

### Filter housing materials

- Filter body
  - Aluminium: FRI 255
  - Anodized Aluminium: FRI 025-040-100-250-630
  - Phosphatized Steel: FRI 850
- Cover
  - Polyamide, GF reinforced: FRI 255
  - Anodized Aluminium: FRI 025-040-100-250-630-850
- Valve: Polyamide, GF reinforced - Steel

### Bypass valve

Opening pressure 240 kPa (2.4 bar) ±10%

### Δp element type

- Microfibre filter elements - series N: 10 bar
- Fluid flow through the filter element from OUT to IN

### Seals

- Standard NBR series A
- Optional FPM series V

### Temperature

From -25 °C to +110 °C

### Note

FRI filters are provided for vertical mounting

## Weights [kg] and volumes [dm<sup>3</sup>]

Filter series	Weights [kg]		Volumes [dm <sup>3</sup> ]	
	Length	1	Length	1
<b>FRI 025</b>		1.0		0.28
<b>FRI 040</b>		2.0		0.70
<b>FRI 100</b>		3.8		1.09
<b>FRI 250</b>		6.3		2.60
<b>FRI 255</b>		4.2		3.20
<b>FRI 630</b>		13.8		7.05
<b>FRI 850</b>		48.0		21.50

Filter series	Length	Filter element design - N Series							
		A03	A06	A10	A16	A25	M25 M60 M90	P10	P25
<b>FRI 025</b>	<b>1</b>	6	10	17	19	43	122	43	47
<b>FRI 040</b>	<b>1</b>	19	23	43	45	94	155	94	102
<b>FRI 100</b>	<b>1</b>	32	34	89	92	187	260	187	206
<b>FRI 250</b>	<b>1</b>	144	179	271	300	448	645	448	490
<b>FRI 255</b>	<b>1</b>	144	179	271	300	448	645	448	490
<b>FRI 630</b>	<b>1</b>	242	279	508	577	834	1446	834	911
<b>FRI 850</b>	<b>1</b>	440	541	971	1143	1705	2528	1705	1880

**Maximum flow rate for a complete return filter with a pressure drop  $\Delta p = 0.5$  bar.**

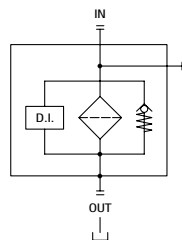
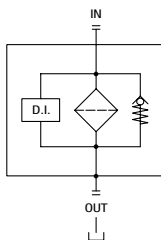
The reference fluid has a kinematic viscosity of 30 mm<sup>2</sup>/s (cSt) and a density of 0.86 kg/dm<sup>3</sup>.

For different pressure drop or fluid viscosity we recommend to use our selection software available on [www.mpfiltri.com](http://www.mpfiltri.com).

You can also calculate the right size using the formulas present on the FILTER SIZING paragraph at the beginning of the full catalogue or at the beginning of the filter family brochure. Please, contact our Sales Department for further additional information.

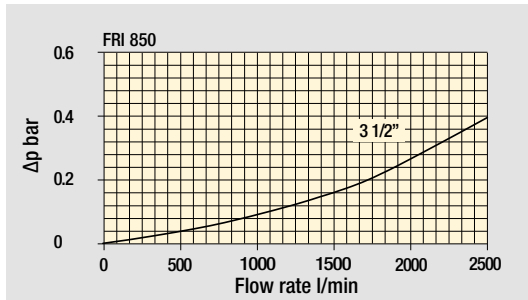
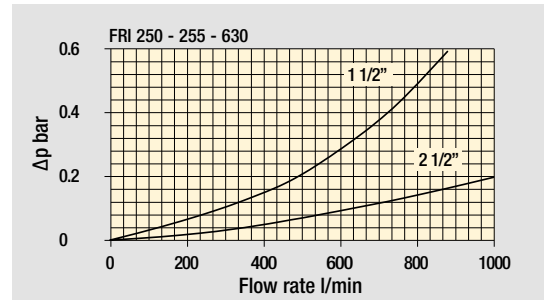
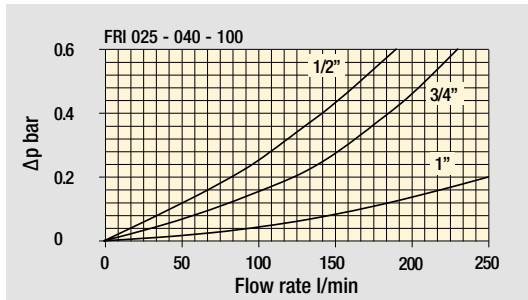
### Hydraulic symbols

Filter series	Style 1 connection + Diff. indic.	Style 2 connections + Diff. indic.
<b>FRI 025</b>		•
<b>FRI 040</b>		•
<b>FRI 100</b>		•
<b>FRI 250</b>		•
<b>FRI 255</b>	•	
<b>FRI 630</b>		•
<b>FRI 850</b>	•	

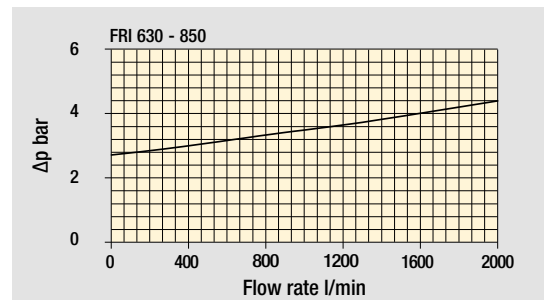
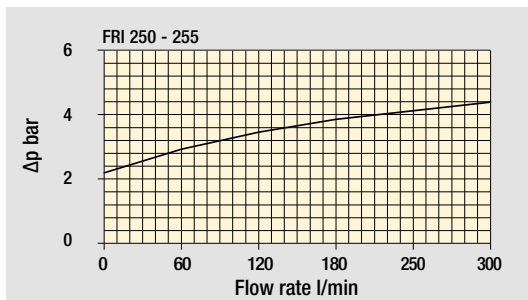
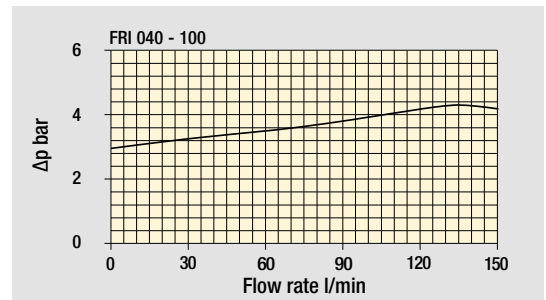
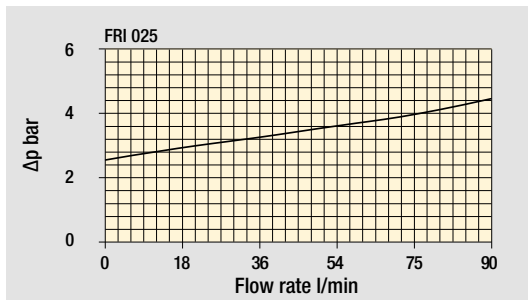


## Pressure drop

### Filter housings $\Delta p$ pressure drop



### Bypass valve pressure drop



The curves are plotted using mineral oil with density of 0.86 kg/dm<sup>3</sup> in compliance with ISO 3968.  $\Delta p$  varies proportionally with density.



## Designation & Ordering code

### COMPLETE FILTER

<b>Series and size</b>	Configuration example 1: <b>FRI025</b> <b>B</b> <b>A</b> <b>G1</b> <b>A25</b> <b>N</b> <b>P01</b>						
<b>FRI025</b>	Configuration example 2: <b>FRI040</b> <b>S</b> <b>V</b> <b>G2</b> <b>M25</b> <b>N</b> <b>P01</b>						
<b>FRI040</b>							
<b>Bypass valve</b>							
<b>B</b> With bypass 2.4 bar							
<b>S</b> Without bypass							
<b>Seals and treatments</b>							
<b>A</b> NBR							
<b>V</b> FPM							
<b>Connections for FRI025</b>	<b>Connections for FRI040</b>						
<b>G1</b> G 1/2"	<b>G</b> 3/4"						
<b>G2</b> 1/2" NPT	<b>3/4" NPT</b>						
<b>G3</b> SAE 8 - 3/4" - 16 UNF	<b>SAE 12 - 1 1/16" - 12 UN</b>						
<b>Filtration rating (filter media)</b>							
<b>A03</b> Inorganic microfiber 3 µm	<b>M25</b> Wire mesh 25 µm						
<b>A06</b> Inorganic microfiber 6 µm	<b>M60</b> Wire mesh 60 µm						
<b>A10</b> Inorganic microfiber 10 µm	<b>M90</b> Wire mesh 90 µm						
<b>A16</b> Inorganic microfiber 16 µm	<b>P10</b> Resin impregnated paper 10 µm						
<b>A25</b> Inorganic microfiber 25 µm	<b>P25</b> Resin impregnated paper 25 µm						
	<b>Element Δp</b>			<b>Execution</b>			
	<b>N</b> 10 bar			<b>P01</b> MP Filtri standard			
				<b>Pxx</b> Customized			

### FILTER ELEMENT

<b>Element series and size</b>	Configuration example 1: <b>CU025</b> <b>A25</b> <b>N</b> <b>P01</b>			
<b>CU025</b>	Configuration example 2: <b>CU040</b> <b>M25</b> <b>V</b> <b>P01</b>			
<b>CU040</b>				
<b>Filtration rating (filter media)</b>				
<b>A03</b> Inorganic microfiber 3 µm	<b>M25</b> Wire mesh 25 µm			
<b>A06</b> Inorganic microfiber 6 µm	<b>M60</b> Wire mesh 60 µm			
<b>A10</b> Inorganic microfiber 10 µm	<b>M90</b> Wire mesh 90 µm			
<b>A16</b> Inorganic microfiber 16 µm	<b>P10</b> Resin impregnated paper 10 µm			
<b>A25</b> Inorganic microfiber 25 µm	<b>P25</b> Resin impregnated paper 25 µm			
<b>Seals and treatments</b>				
<b>N</b> NBR				
<b>V</b> FPM				
	<b>Execution</b>			
	<b>P01</b> MP Filtri standard			
	<b>Pxx</b> Customized			

### CLOGGING INDICATORS

See page 680-681

<b>DEA</b> Electrical differential indicator	<b>DTA</b> Electrical differential indicator
<b>DEM</b> Electrical differential indicator	<b>DVA</b> Visual differential indicator
<b>DLA</b> Electrical / visual differential indicator	<b>DVM</b> Visual differential indicator
<b>DLE</b> Electrical / visual differential indicator	

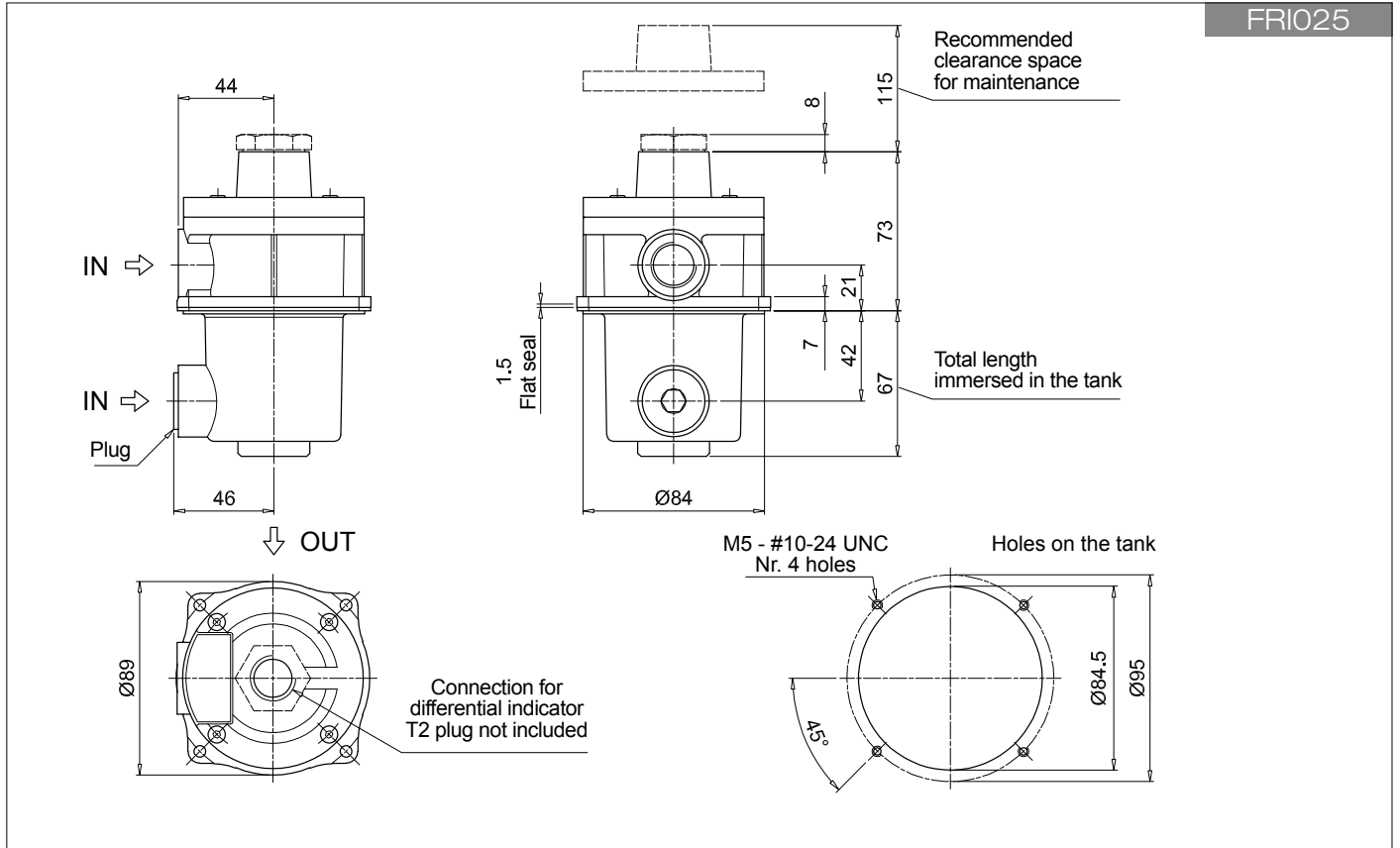
### PLUGS

See page 706

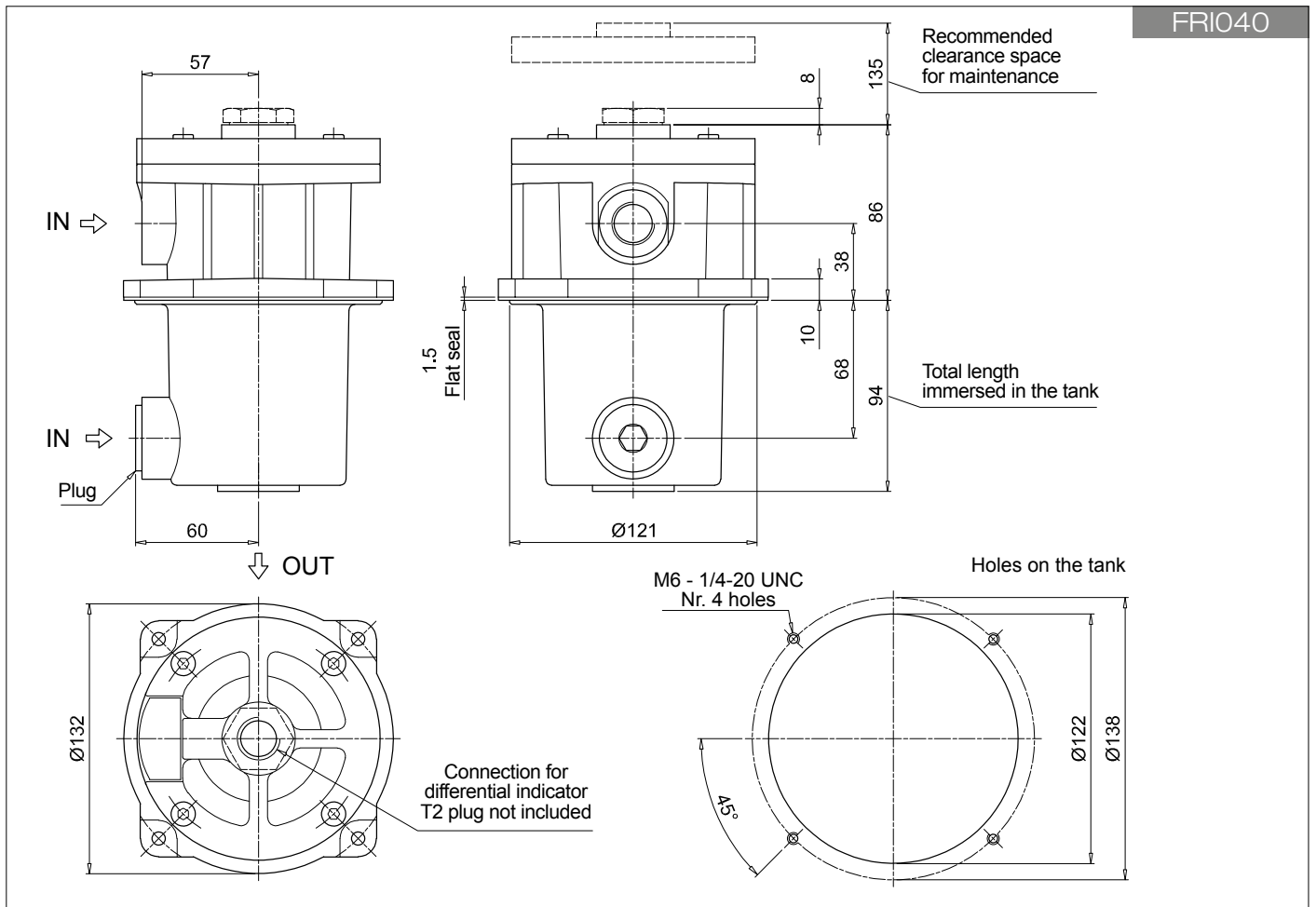
<b>T2</b> Differential indicator plug (not included)
--



FRI025



FRI040



## Designation & Ordering code

### COMPLETE FILTER

<b>Series and size</b>	Configuration example 1: <b>FRI100</b> <b>B</b> <b>A</b> <b>G1</b> <b>A25</b> <b>N</b> <b>P01</b>						
<b>FRI100</b>	Configuration example 2: <b>FRI630</b> <b>S</b> <b>V</b> <b>F2</b> <b>M25</b> <b>N</b> <b>P01</b>						
<b>FRI250</b>							
<b>FRI630</b>							
<b>Bypass valve</b>							
<b>B</b> With bypass 2.4 bar							
<b>S</b> Without bypass							
<b>Seals and treatments</b>							
<b>A</b> NBR							
<b>V</b> FPM							
<b>Connections for FRI100</b>	<b>Connections for FRI250</b>	<b>Connections for FRI630</b>					
<b>G1</b> G 1"	<b>G 1 1/2"</b>	<b>G 2 1/2"</b>					
<b>G2</b> 1" NPT	<b>1 1/2" NPT</b>	<b>2 1/2" NPT</b>					
<b>G3</b> SAE 16 - 1 5/16" - 12 UN	<b>SAE 24 - 1 7/8" - 12 UN</b>	<b>SAE 32 - 2 1/2" - 12 UN</b>					
<b>F1</b> 1" SAE 3000 psi/M	<b>1 1/2" SAE 3000 psi/M</b>	<b>2 1/2" SAE 3000 psi/M</b>					
<b>F2</b> 1" SAE 3000 psi/UNC	<b>1 1/2" SAE 3000 psi/UNC</b>	<b>2 1/2" SAE 3000 psi/UNC</b>					
<b>Filtration rating (filter media)</b>							
<b>A03</b> Inorganic microfiber 3 µm	<b>M25</b> Wire mesh 25 µm						
<b>A06</b> Inorganic microfiber 6 µm	<b>M60</b> Wire mesh 60 µm						
<b>A10</b> Inorganic microfiber 10 µm	<b>M90</b> Wire mesh 90 µm						
<b>A16</b> Inorganic microfiber 16 µm	<b>P10</b> Resin impregnated paper 10 µm						
<b>A25</b> Inorganic microfiber 25 µm	<b>P25</b> Resin impregnated paper 25 µm						
	<b>Element Δp</b>		<b>Execution</b>				
	<b>N</b> 10 bar		<b>P01</b> MP Filtri standard				
			<b>Pxx</b> Customized				

### FILTER ELEMENT

<b>Element series and size</b>	Configuration example 1: <b>CU100</b> <b>A25</b> <b>N</b> <b>P01</b>			
<b>CU100</b>	Configuration example 2: <b>CU630</b> <b>M25</b> <b>V</b> <b>P01</b>			
<b>CU250</b>				
<b>CU630</b>				
<b>Filtration rating (filter media)</b>				
<b>A03</b> Inorganic microfiber 3 µm	<b>M25</b> Wire mesh 25 µm			
<b>A06</b> Inorganic microfiber 6 µm	<b>M60</b> Wire mesh 60 µm			
<b>A10</b> Inorganic microfiber 10 µm	<b>M90</b> Wire mesh 90 µm			
<b>A16</b> Inorganic microfiber 16 µm	<b>P10</b> Resin impregnated paper 10 µm			
<b>A25</b> Inorganic microfiber 25 µm	<b>P25</b> Resin impregnated paper 25 µm			
<b>Seals and treatments</b>				
<b>N</b> NBR				
<b>V</b> FPM				
	<b>Execution</b>			
	<b>P01</b> MP Filtri standard			
	<b>Pxx</b> Customized			

### CLOGGING INDICATORS

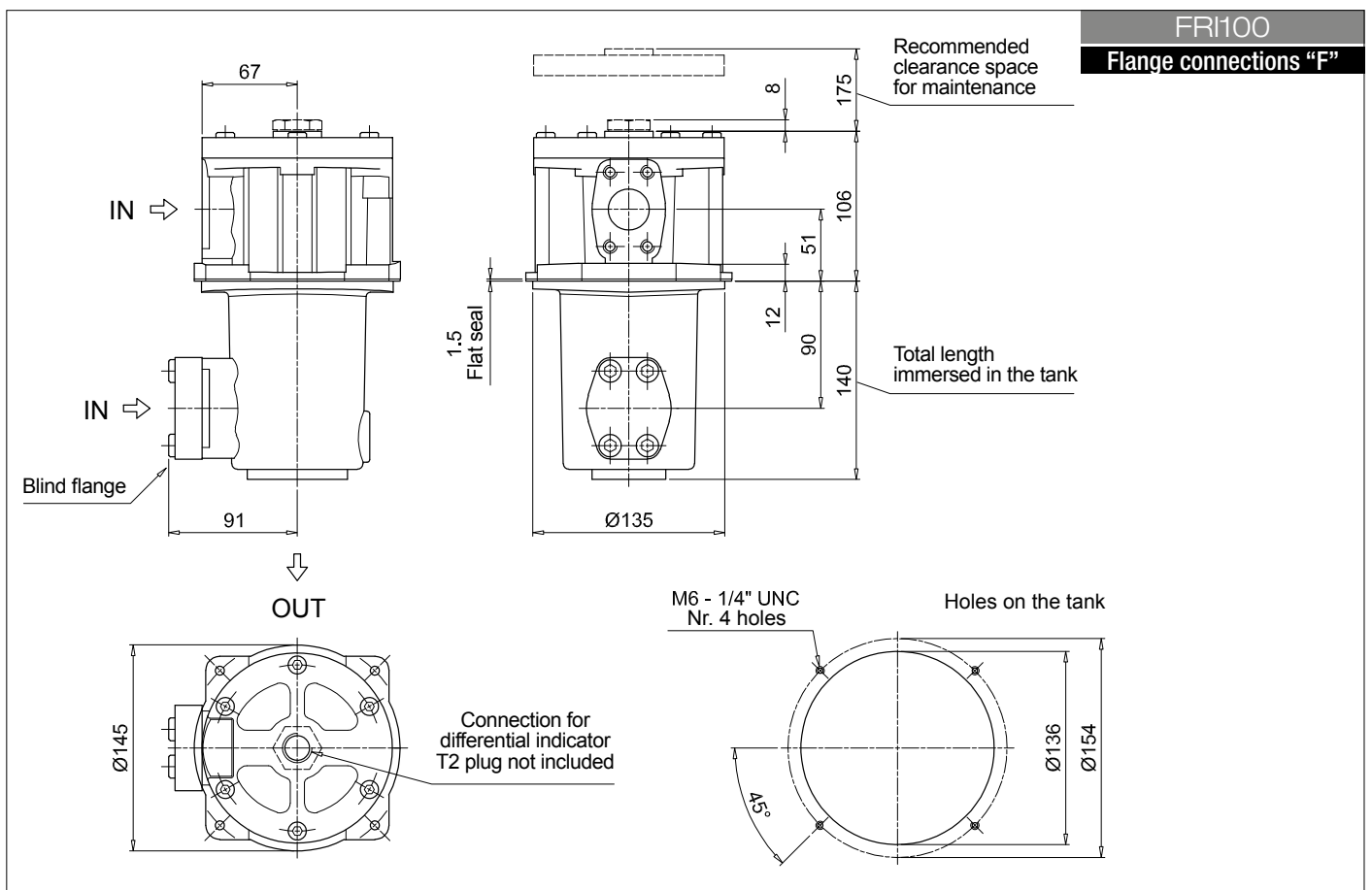
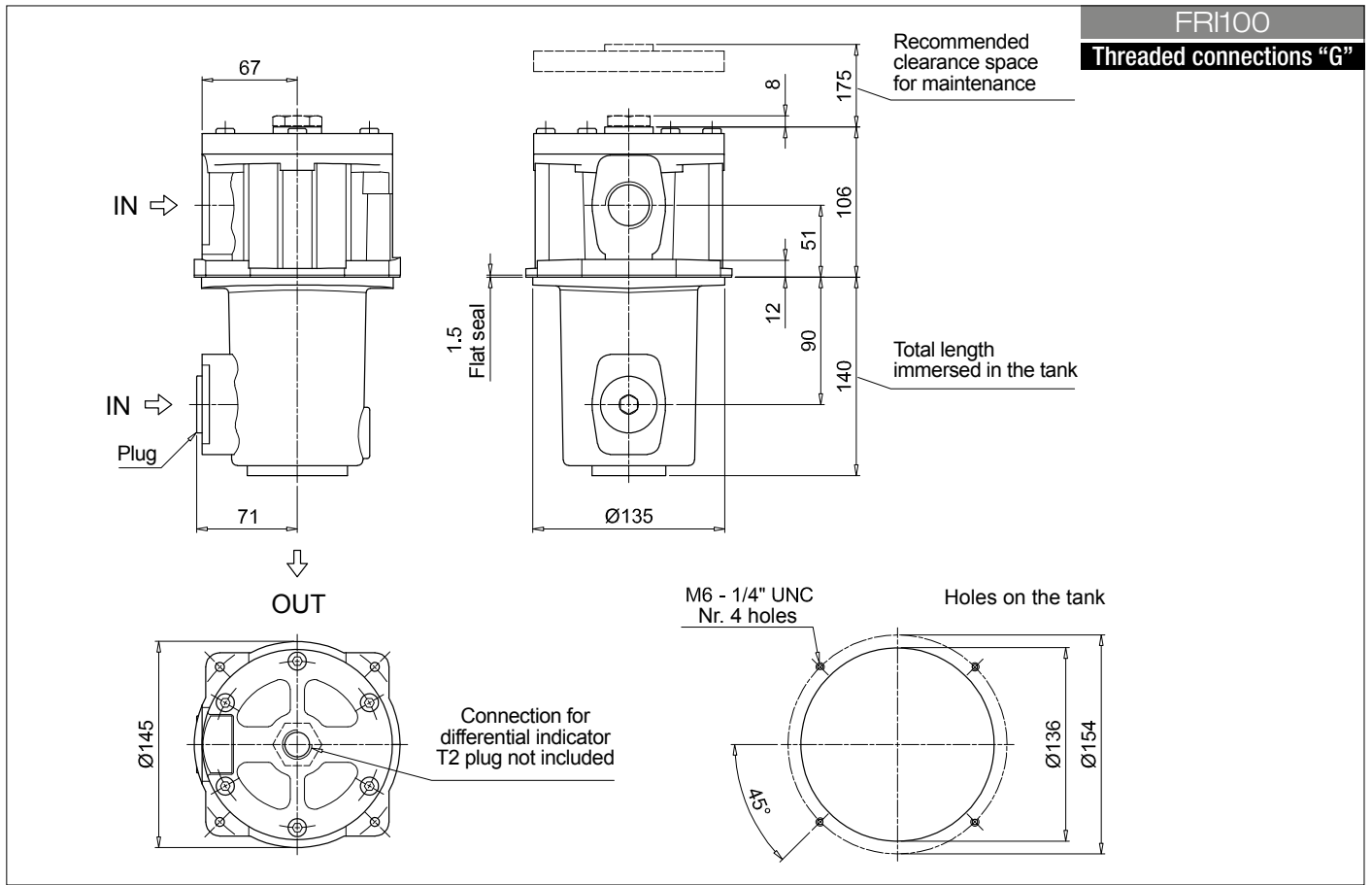
See page 680-681

<b>DEA</b> Electrical differential indicator	<b>DTA</b> Electrical differential indicator
<b>DEM</b> Electrical differential indicator	<b>DVA</b> Visual differential indicator
<b>DLA</b> Electrical / visual differential indicator	<b>DVM</b> Visual differential indicator
<b>DLE</b> Electrical / visual differential indicator	

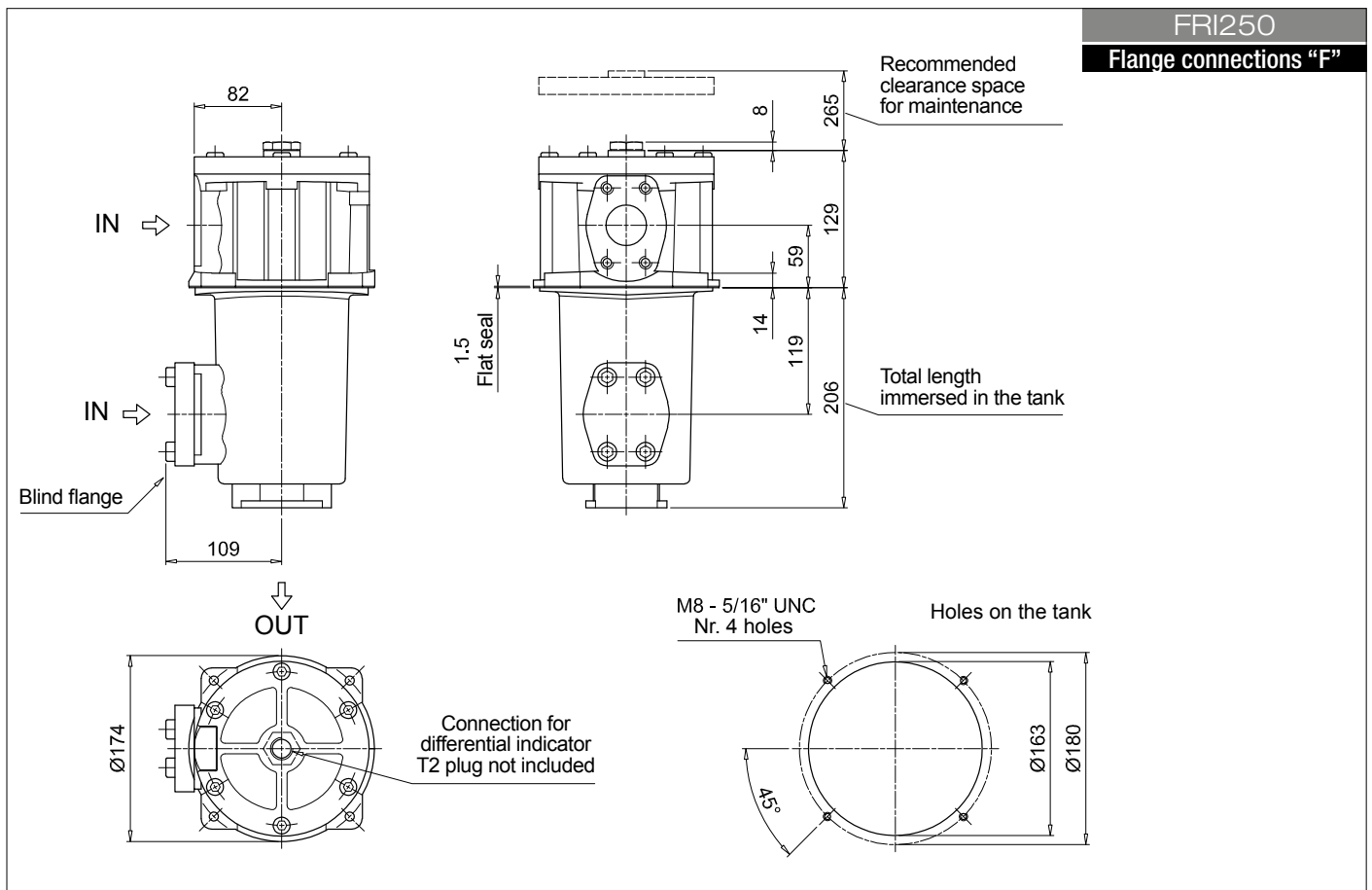
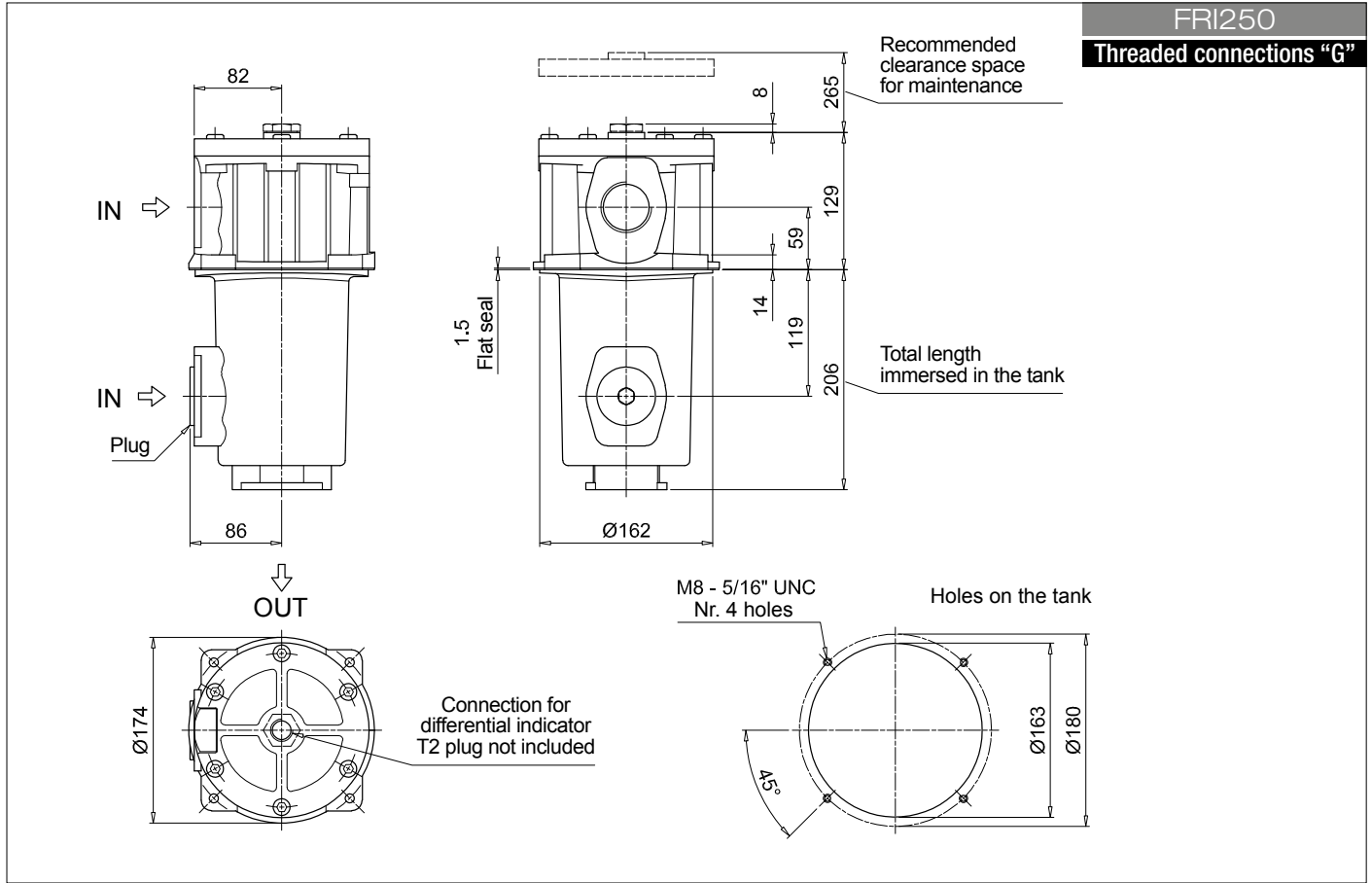
### PLUGS

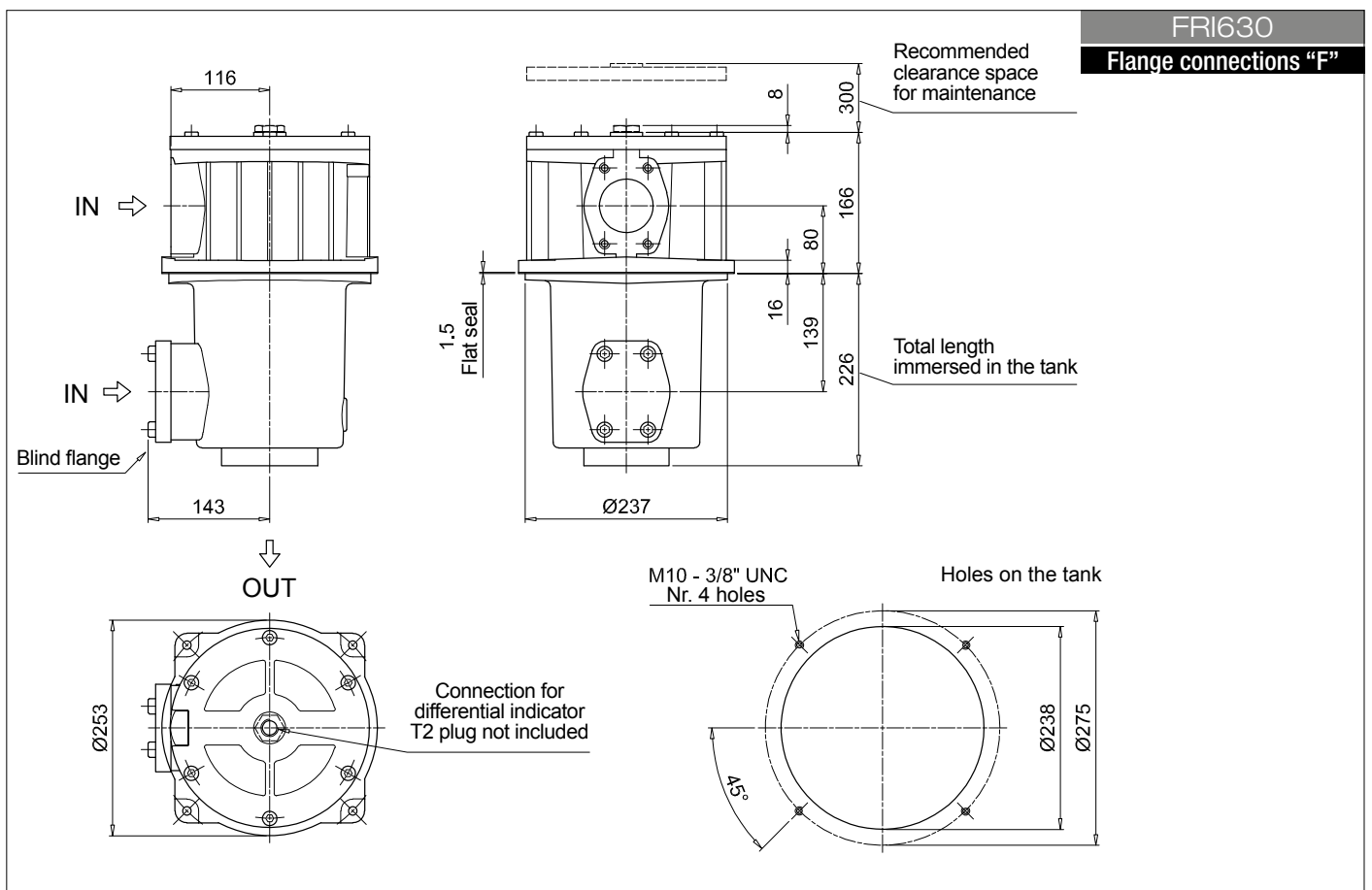
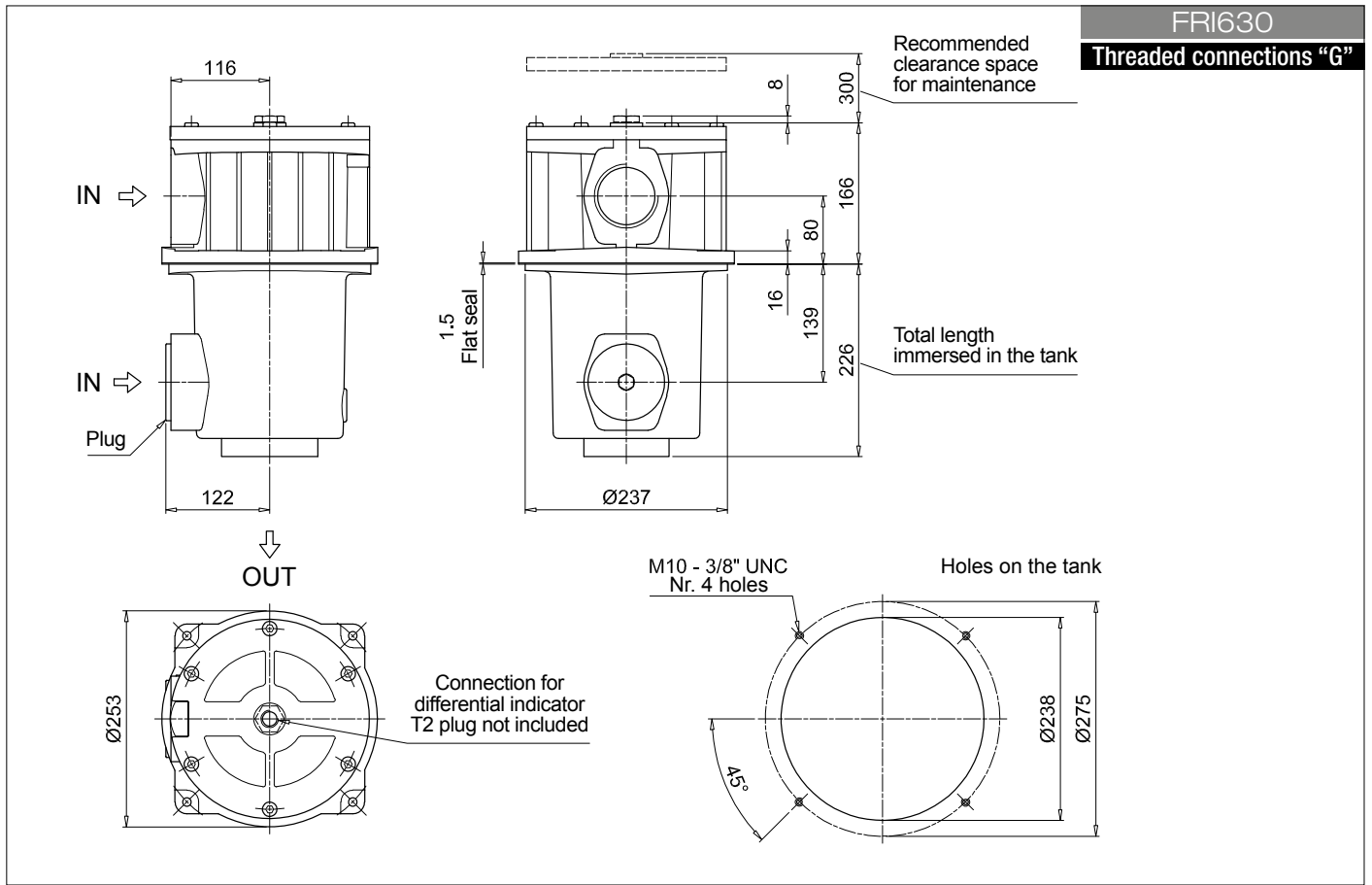
See page 706

<b>T2</b> Differential indicator plug (not included)
--



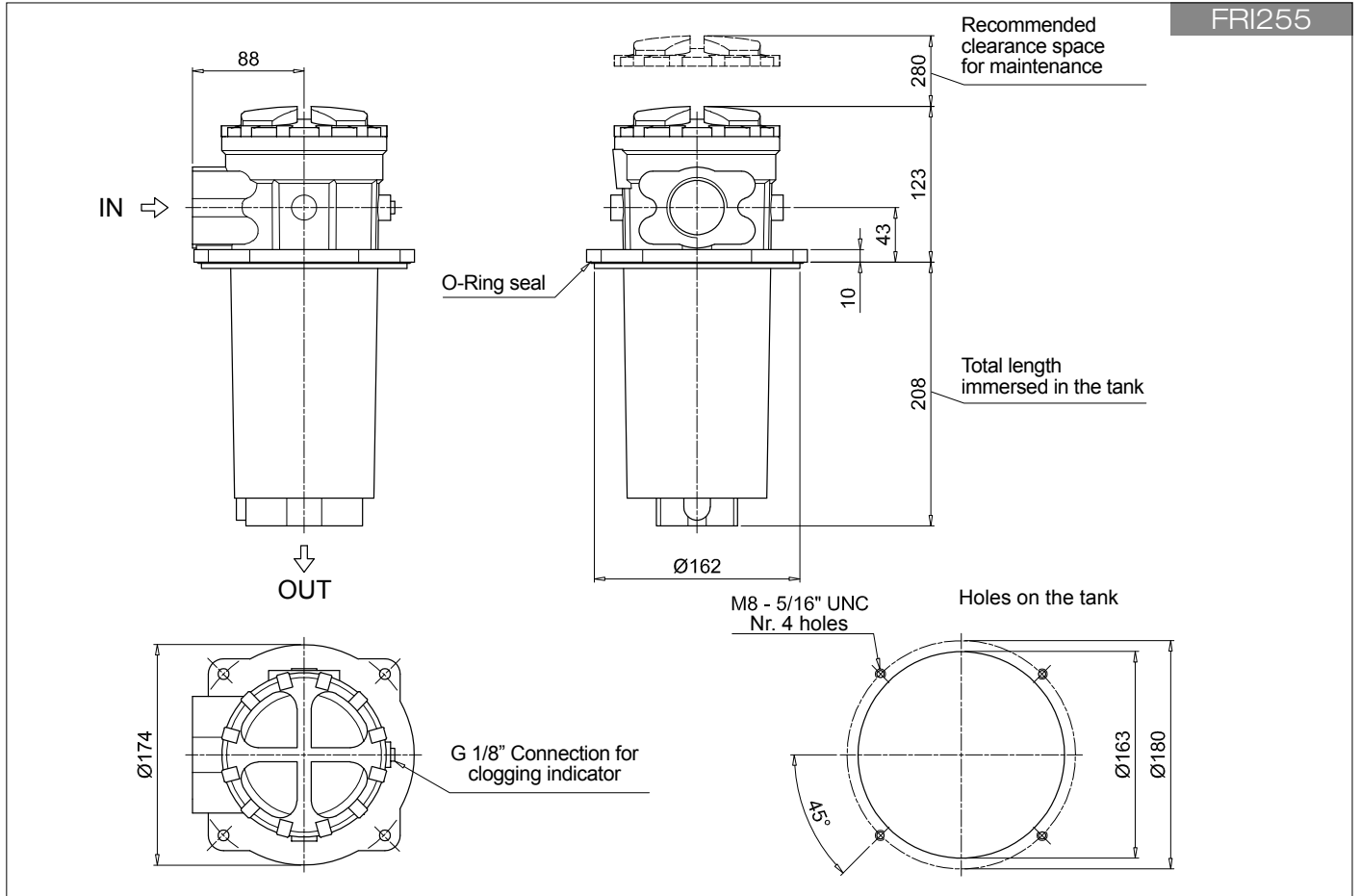
## Dimensions



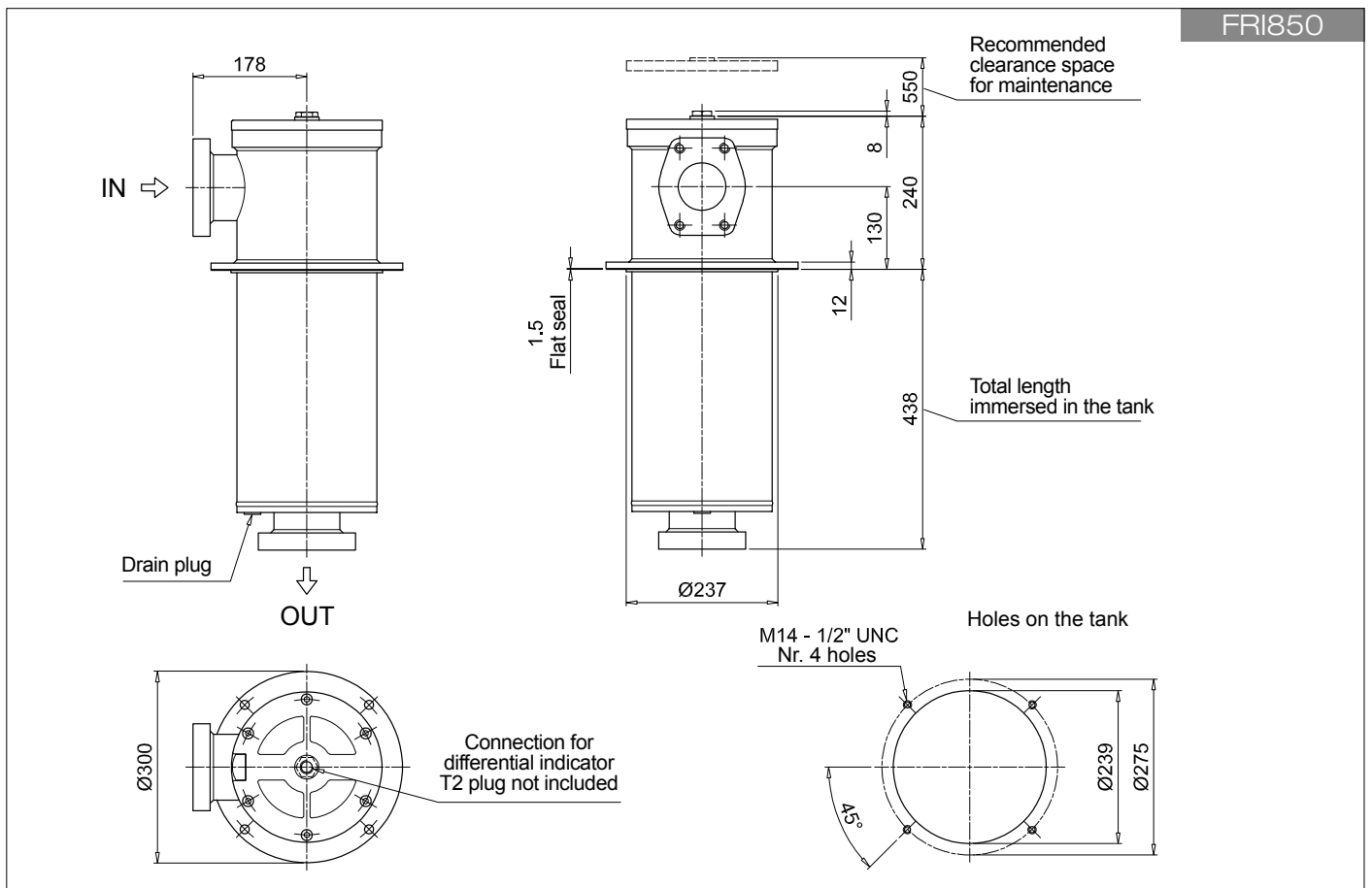




FRI255



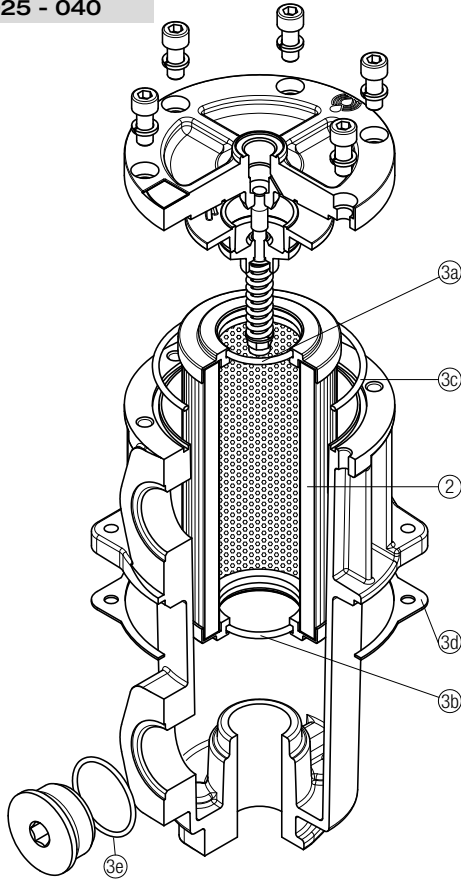
FRI850



# FRI SPARE PARTS

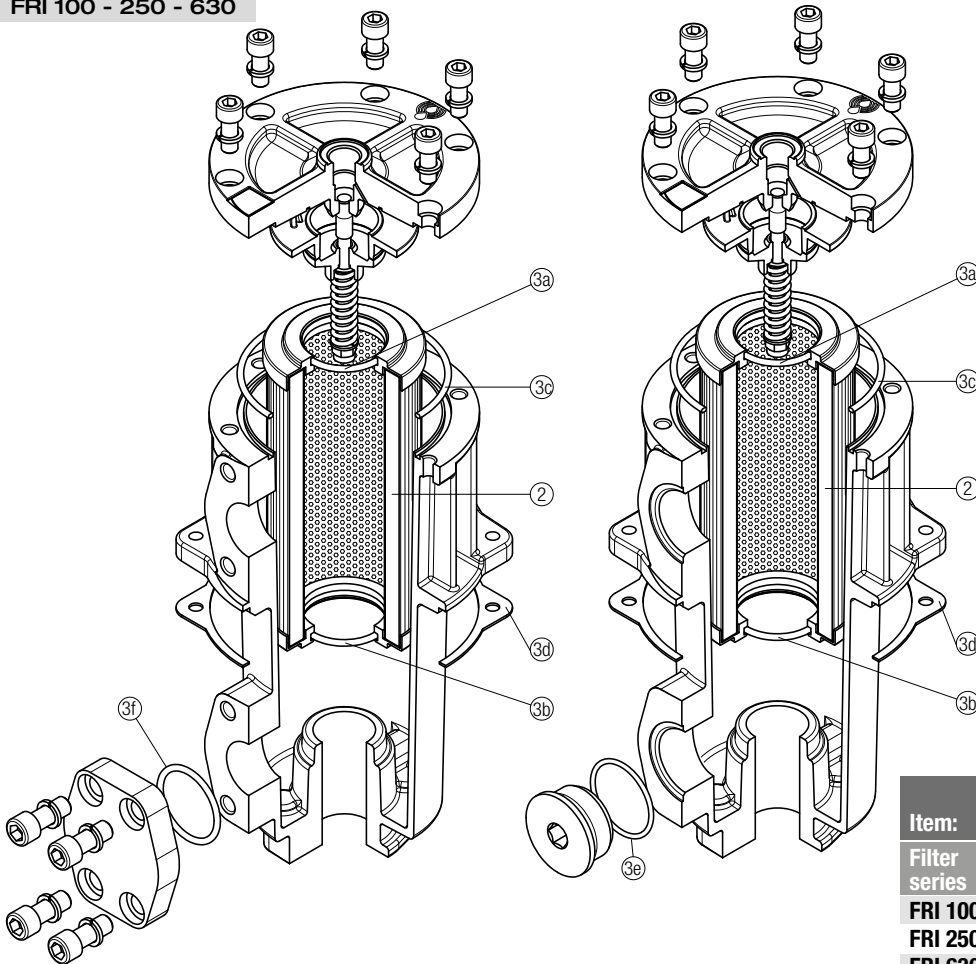
Order number for spare parts

## FRI 025 - 040



Item:	Q.ty: 1 pc.	Q.ty: 1 pc.	
	<b>2</b>	<b>3</b> (3a ÷ 3e)	
Filter series	Filter element	Seal Kit code number	
		NBR	FPM
<b>FRI 025</b>	See order table	02050213	02050220
<b>FRI 040</b>		02050214	02050221

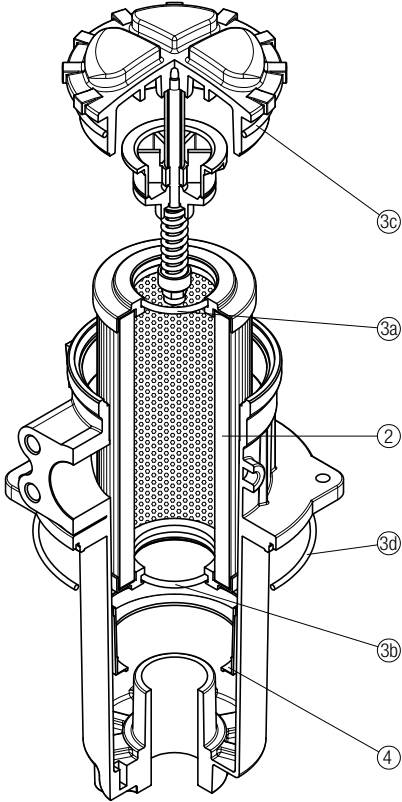
## FRI 100 - 250 - 630



Item:	Q.ty: 1 pc.	Q.ty: 1 pc.	
	<b>2</b>	<b>3</b> (3a ÷ 3f)	
Filter series	Filter element	Seal Kit code number	
		NBR	FPM
<b>FRI 100</b>	See order table	02050215	02050222
<b>FRI 250</b>		02050216	02050223
<b>FRI 630</b>		02050217	02050224

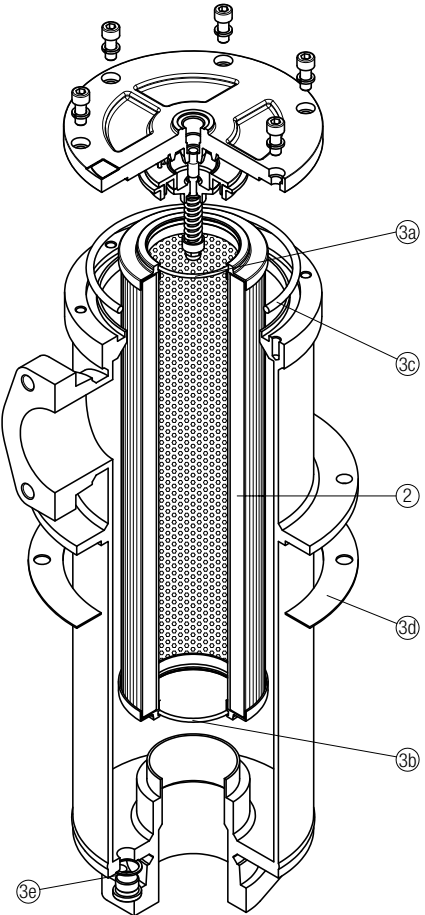


FRI 255



Item:	Q.ty: 1 pc.	Q.ty: 1 pc.	Q.ty: 1 pc.
	<b>2</b>	<b>3</b> (3a ÷ 3d)	<b>4</b>
Filter series	Filter element	Seal Kit code number	
	See order table	NBR	FPM
<b>FRI 255</b>		02050013	02050014
		Contamination retainer binder	
		01060301	

FRI 850



Item:	Q.ty: 1 pc.	Q.ty: 1 pc.
	<b>2</b>	<b>3</b> (3a ÷ 3e)
Filter series	Filter element	Seal Kit code number
	See order table	NBR
<b>FRI 850</b>		02050218
		FPM
		02050225



# RF2 series

Maximum working pressure up to 2 MPa (20 bar) - Flow rate up to 615 l/min



## Description

## Technical data

### Return filter

**Maximum working pressure up to 2 MPa (20 bar)**  
**Flow rate up to 615 l/min**

RF2250 and RF2350 are ranges of return filters for side tank mounting with integrated shut-off valve for protection of the reservoir against the system contamination.

They are placed below the minimum oil level, directly connected to the return line of the system.

The shut-off valve closes automatically when the cover is removed, allowing the filter element replacement without the fluid drop.

#### Available features:

- Female threaded connections up to 1" and flanged connections up to 1 1/2", for a maximum flow rate of 615 l/min
- Bypass valve, to relieve excessive pressure drop across the filter media
- Magnetic filter, to hold the ferrous particles
- Visual, electrical and electronic clogging indicators

#### Common applications:

- Compact mobile machines
- Compact industrial equipment

### Filter housing materials

- Filter body: Aluminium
- Cover: Polyamide, GF reinforced
- Valve: Polyamide, GF reinforced - Steel
- Anti-Emptying valve: Steel

### Bypass valve

Opening pressure 175 kPa (1.75 bar) ±10%

### Δp element type

- Microfibre filter elements - series CU: 10 bar
- Fluid flow through the filter element from OUT to IN

### Seals

- Standard NBR series A
- Optional FPM series V

### Temperature

From -25 °C to +110 °C

### Note

RF2 250-350 filters mounting, see the drawings on page 235 and following

## Weights [kg] and volumes [dm<sup>3</sup>]

Filter series	Weights [kg]		Volumes [dm <sup>3</sup> ]	
	Length	1	Length	1
<b>RF2 250</b>		2.6		2.0
<b>RF2 350</b>		2.8		2.0

Filter series	Length	Filter element design - N Series							
		A03	A06	A10	A16	A25	M25 M60 M90	P10	P25
<b>RF2 250</b>	<b>1</b>	148	184	278	307	447	615	447	485
<b>RF2 350</b>	<b>1</b>	148	184	278	307	447	615	447	485

### Maximum flow rate for a complete return filter with a pressure drop $\Delta p = 0.5$ bar.

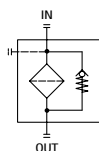
The reference fluid has a kinematic viscosity of 30 mm<sup>2</sup>/s (cSt) and a density of 0.86 kg/dm<sup>3</sup>.

For different pressure drop or fluid viscosity we recommend to use our selection software available on [www.mpfiltri.com](http://www.mpfiltri.com).

You can also calculate the right size using the formulas present on the FILTER SIZING paragraph at the beginning of the full catalogue or at the beginning of the filter family brochure. Please, contact our Sales Department for further additional information.

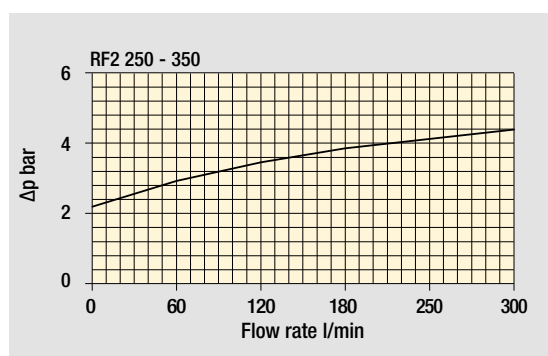
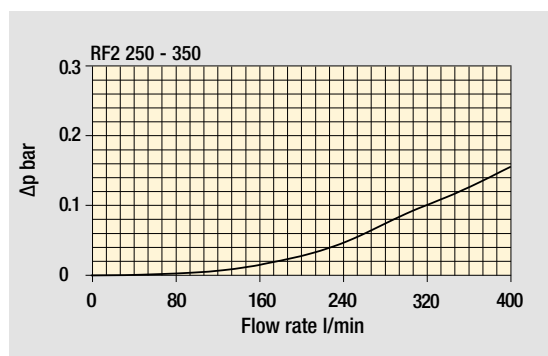
Filter series	Style B - E
<b>RF2 250</b>	•
<b>RF2 350</b>	•

Hydraulic symbols



Pressure drop

Filter housings  $\Delta p$  pressure drop



Bypass valve pressure drop

The curves are plotted using mineral oil with density of 0.86 kg/dm<sup>3</sup> in compliance with ISO 3968.  $\Delta p$  varies proportionally with density.

# RF2 RF2250 - RF2350

## Designation & Ordering code

### COMPLETE FILTER

#### Series and size

Configuration example 1: **RF2250** **V** **F2** **E** **M25** **P01**  
 Configuration example 2: **RF2350** **A** **G1** **B** **A25** **P01**

**RF2250**  
**RF2350**

#### Seals and treatments

**A** NBR  
**V** FPM

Connections	Aux (only RF2350)	Mxx	Pxx
<b>G1</b> G 1 1/2"	G 1"	•	•
<b>G2</b> 1 1/2" NPT	-	•	-
<b>G3</b> SAE 24 - 1 7/8" - 12 UN	SAE 16 - 1 5/16" - 12 UN	•	•
<b>G4</b> G 1 1/4"	-	•	-
<b>G5</b> 1 1/4" NPT	-	•	-
<b>G6</b> SAE 20 - 1 5/8" - 12 UN	-	•	-
<b>G7</b> G 1"	-	•	-
<b>G8</b> 1" NPT	-	•	-
<b>G9</b> SAE 16 - 1 5/16" - 12 UN	-	•	-
<b>F1</b> 1 1/2" SAE 3000 psi/M	-	•	-
<b>F2</b> 1 1/2" SAE 3000 psi/UNC	-	•	-

#### Bypass valve

**B** With bypass 1.75 bar  
**E** With bypass 3 bar

#### Filtration rating (filter media)

<b>A03</b> Inorganic microfiber 3 µm	<b>M25</b> Wire mesh 25 µm
<b>A06</b> Inorganic microfiber 6 µm	<b>M60</b> Wire mesh 60 µm
<b>A10</b> Inorganic microfiber 10 µm	<b>M90</b> Wire mesh 90 µm
<b>A16</b> Inorganic microfiber 16 µm	<b>P10</b> Resin impregnated paper 10 µm
<b>A25</b> Inorganic microfiber 25 µm	<b>P25</b> Resin impregnated paper 25 µm

**Execution**  
**P01** MP Filtri standard  
**Pxx** Customized

### FILTER ELEMENT

#### Element series and size

Configuration example 1: **CU250** **M25** **N** **P01**  
 Configuration example 2: **CU250** **A25** **V** **P01**

**CU250**

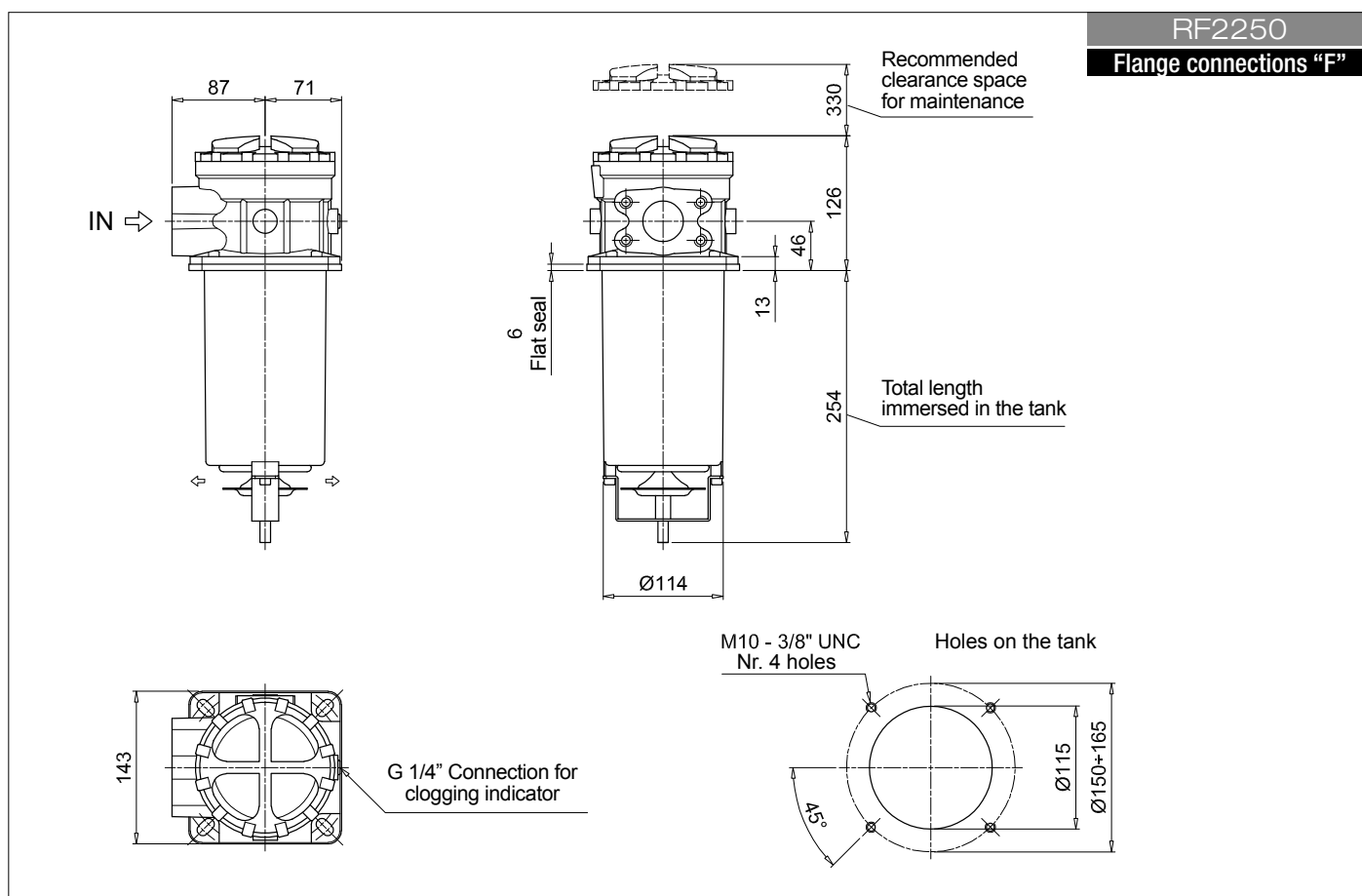
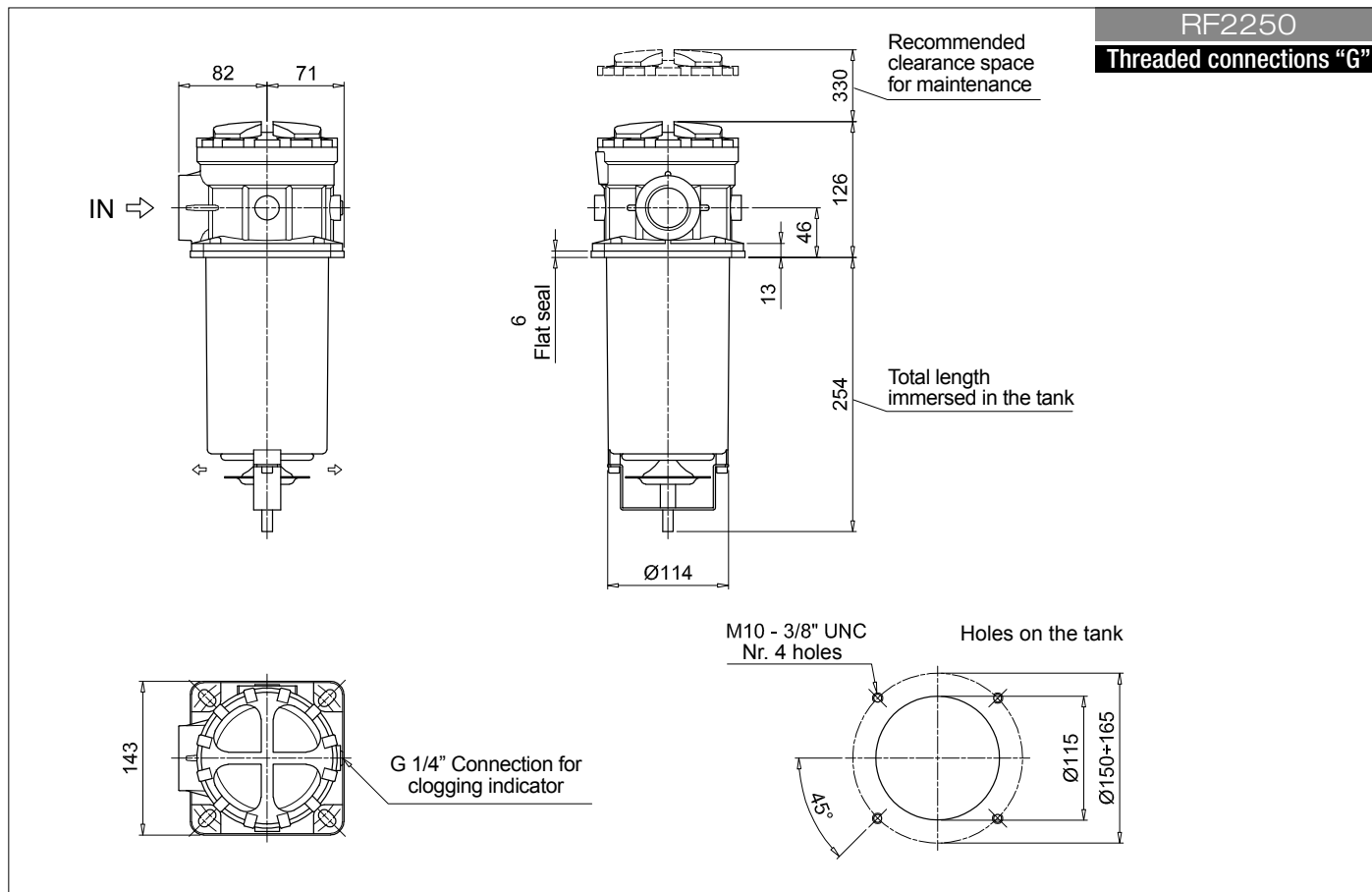
#### Filtration rating (filter media)

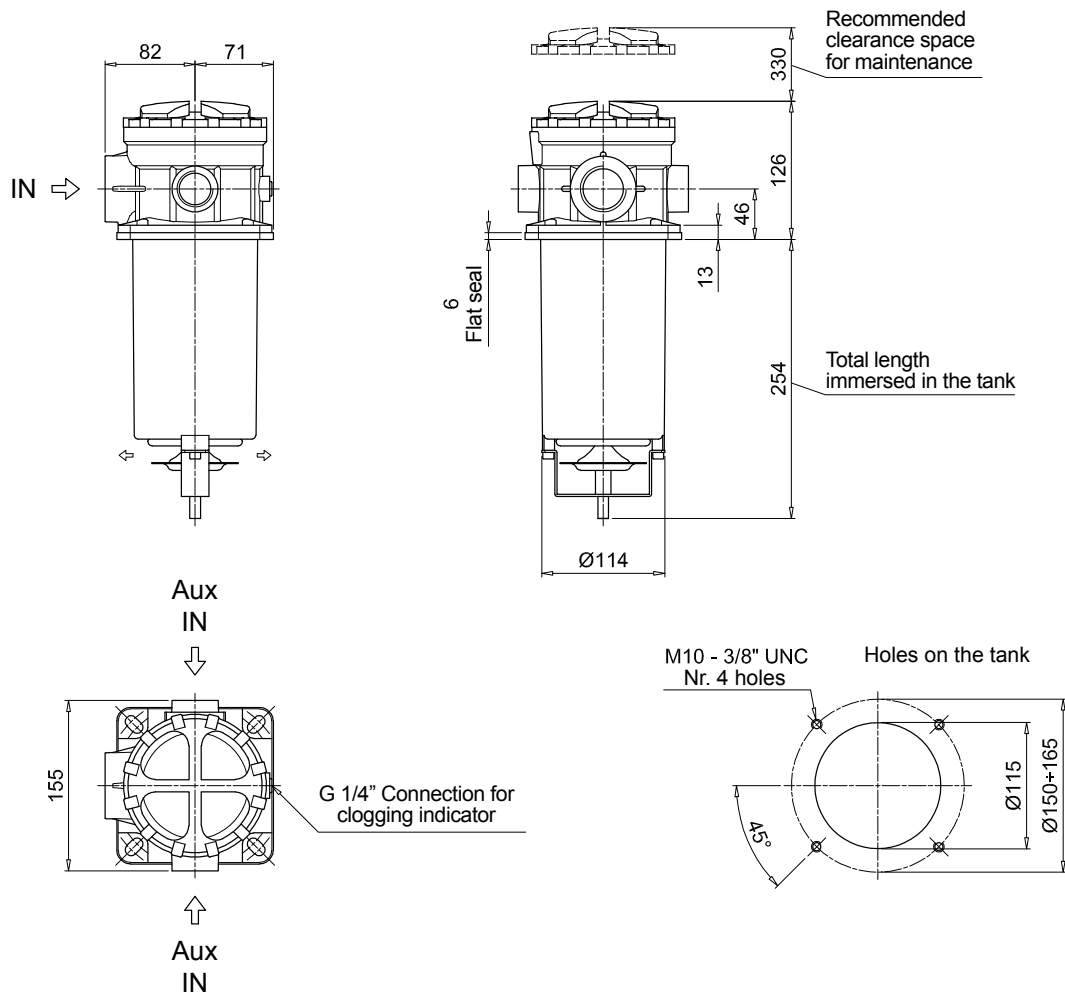
<b>A03</b> Inorganic microfiber 3 µm	<b>M25</b> Wire mesh 25 µm
<b>A06</b> Inorganic microfiber 6 µm	<b>M60</b> Wire mesh 60 µm
<b>A10</b> Inorganic microfiber 10 µm	<b>M90</b> Wire mesh 90 µm
<b>A16</b> Inorganic microfiber 16 µm	<b>P10</b> Resin impregnated paper 10 µm
<b>A25</b> Inorganic microfiber 25 µm	<b>P25</b> Resin impregnated paper 25 µm

#### Seals and treatments

**N** NBR  
**V** FPM

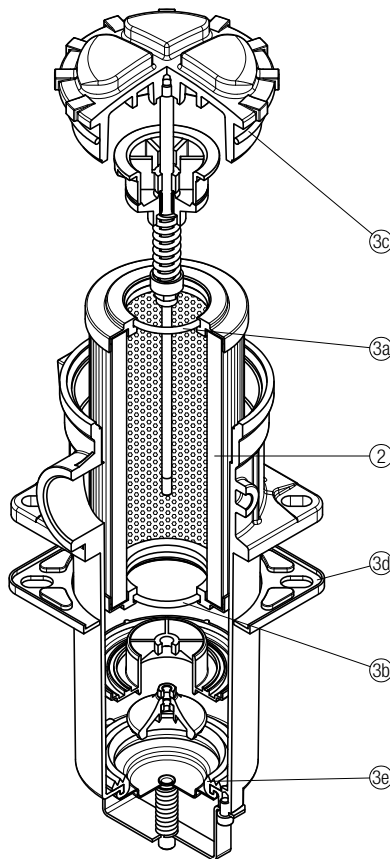
**Execution**  
**P01** MP Filtri standard  
**Pxx** Customized







**RF2 250 - 350**



Item:	Q.ty: 1 pc. 2	Q.ty: 1 pc. 3 (3a ÷ 3e)
Filter series	Filter element	Seal Kit code number
RF2 250	See order table	NBR
RF2 350		FPM
		02050586
		02050587

# Accessories

## POLYAMIDE EXTENSION TUBE

H1 - Total length immersed in the tank

Configuration example: **TE** **40** **A** **250**

Series	Size	Material	Length	H [mm]
<b>TE</b>			<b>200</b>	200
			<b>250</b>	250
			<b>300</b>	300
			<b>350</b>	350
			<b>400</b>	400
			<b>450</b>	450
			<b>500</b>	500

Size	Ø D [mm]
<b>25</b>	25
<b>32</b>	32
<b>40</b>	40

Material
<b>A</b> Polyamide

COMPATIBILITY TABLE															
Filter series	Filter size			Filter length	Tube length										
					TE25	TE32	TE40	200	250	300	350	400	450	500	
MPF - MPFX	30			1	•	-	-	266	316	366	416	466	516	566	
MPF	100	104	110	1	-	•	-	275	325	375	425	475	525	575	
				2	-	-	-	322	372	422	472	522	572	622	
				3	-	-	•	400	450	500	550	600	650	700	
				4	-	-	-	502	552	602	652	702	752	802	
MPFX	100	104	110	1	-	-	•	277	327	377	427	477	527	577	
				2	-	-	-	322	372	422	472	522	572	622	
				3	-	-	•	400	450	500	550	600	650	700	
				4	-	-	-	502	552	602	652	702	752	802	
MPF MPFX	181	182	184	1	-	-	•	410	460	510	560	610	660	710	
				2	-	-	-	623	673	723	773	823	873	923	
MPT MPTX	025	027		1	•	-	-	278	328	378	428	478	528	578	
				2	-	-	-	342	392	442	492	542	592	642	
				3	-	-	-	380	430	480	530	580	630	680	
MPT	110	114	116	120	1	-	•	-	273	323	373	423	473	523	573
					2	-	-	-	320	370	420	470	520	570	620
					3	-	-	•	396	446	496	546	596	646	696
					4	-	-	-	498	548	598	648	698	748	798
MPTX	110	114	116	120	1	-	-	•	273	323	373	423	473	523	573
					2	-	-	-	318	368	418	468	518	568	618
					3	-	-	-	396	446	496	546	596	646	696
					4	-	-	-	498	548	598	648	698	748	798

## STEEL EXTENSION TUBE

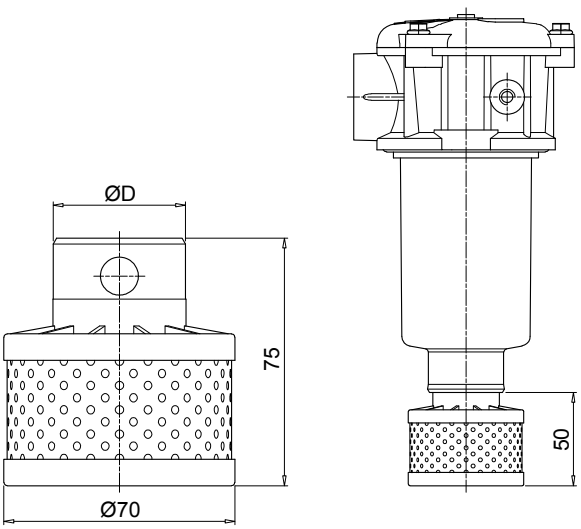
H1 - Total length immersed in the tank

Configuration example: **MPF191** **2** **A** **F1** **A10** **H** **B** **S60**

Length	H1 [mm]
<b>S30</b>	300
<b>S35</b>	350
<b>S40</b>	400
<b>S45</b>	450
<b>S50</b>	500
<b>S60</b>	600
<b>S70</b>	700
<b>S80</b>	800
<b>S90</b>	900

COMPATIBILITY TABLE							
Filter series	Filter size			Filter length	Ø D [mm]		
					52	65	
MPF	191	192	194	2	•	-	
				1	•	-	
	400	410	450	451	2	-	•
					3	-	•
		750			1	-	•

## DIFFUSER WITH FAST LOCK CONNECTION

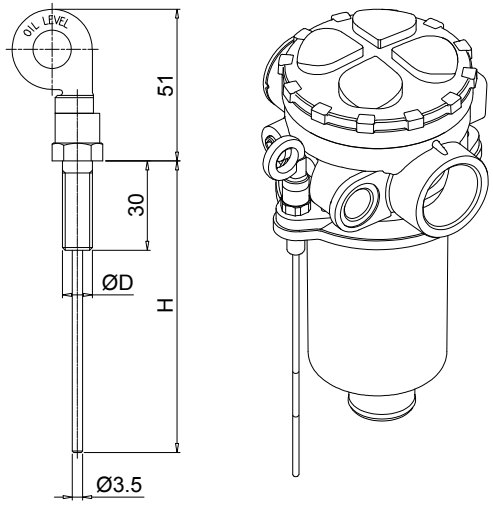


Configuration example: **DFS 32 A 075**

Series		<b>DFS</b>
Size	ø D [mm]	
<b>32</b>	32	
<b>40</b>	40	
Version		<b>A</b> Standard
Length		<b>075</b> Standard

COMPATIBILITY TABLE							
Filter series	Filter size			Filter Length	DFS32	DFS40	
MPF	100	104	110	1	•	-	
				2	-	-	
				3	-	•	
				4	-	-	
MPFX	100	104	110	1	-	•	
				2	-	•	
				3	-	-	
				4	-	-	
MPT	110	114	116	120	1	•	-
					2	-	-
					3	-	•
					4	-	-
MPTX	110	114	116	120	1	-	•
					2	-	•
					3	-	-
					4	-	-

## DIPSTICK



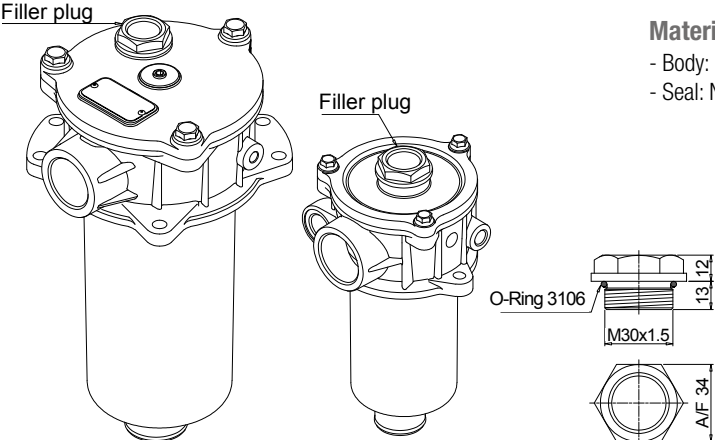
Configuration example: **DPT 20 M10 A P01**

Series		<b>DPT</b>
Length	H [mm]	
<b>15</b>	134	
<b>20</b>	184	
<b>25</b>	234	
<b>30</b>	284	
<b>35</b>	334	
Fastening		
<b>M8</b>	Fastening with screws ø D = M8	
<b>M10</b>	Fastening with screws ø D = M10	
Seals		
<b>A</b>	NBR	
<b>V</b>	FPM	
Execution		
<b>P01</b>	MP Filtri standard	
<b>Pxx</b>	Customized	

**Materials**  
 - Screw: phosphatized steel  
 - Stick: phosphatized steel  
 - Handle: Polyamide

**Technical data**  
 Working temperature: from -25 °C to +110 °C

## FILLER PLUG



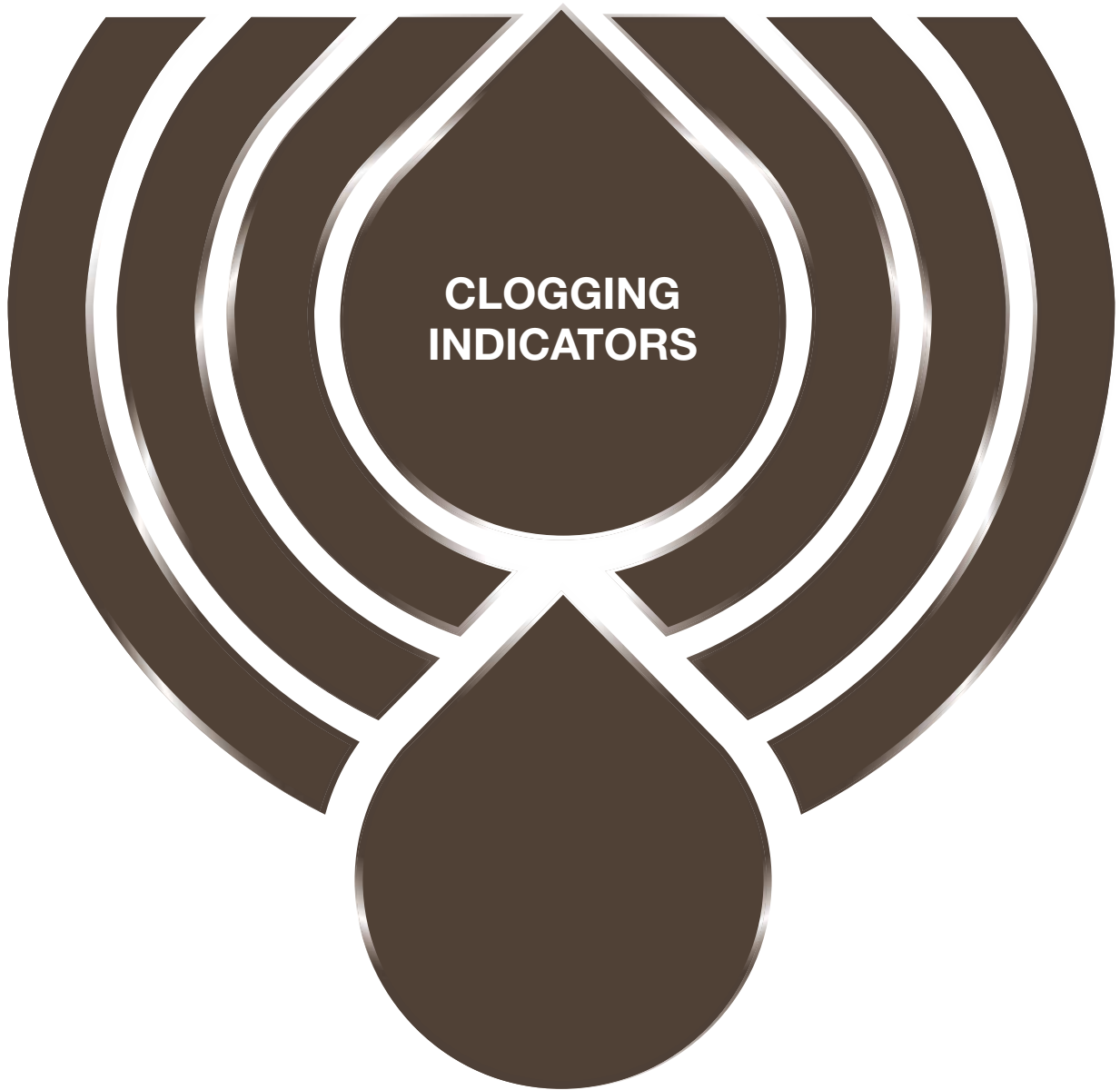
**Materials**  
 - Body: Polyamide  
 - Seal: NBR

**Technical data**  
 Tightening torque: 15 N·m

O-Ring 3106

For any further information, please, contact our commercial dept.





**CLOGGING  
INDICATORS**

Clogging indicators are devices that check the life time of the filter elements. They measure the pressure drop through the filter element directly connected to the filter housing.

These devices trip when the clogging of the filter element causes a pressure drop increasing across the filter element.

Filter elements are efficient only if their Dirt Holding Capacity is fully exploited. This is achieved by using filter housings equipped with clogging indicators.

The indicator is set to alarm before the element becomes fully clogged.

MP Filtri can supply indicators of the following designs:

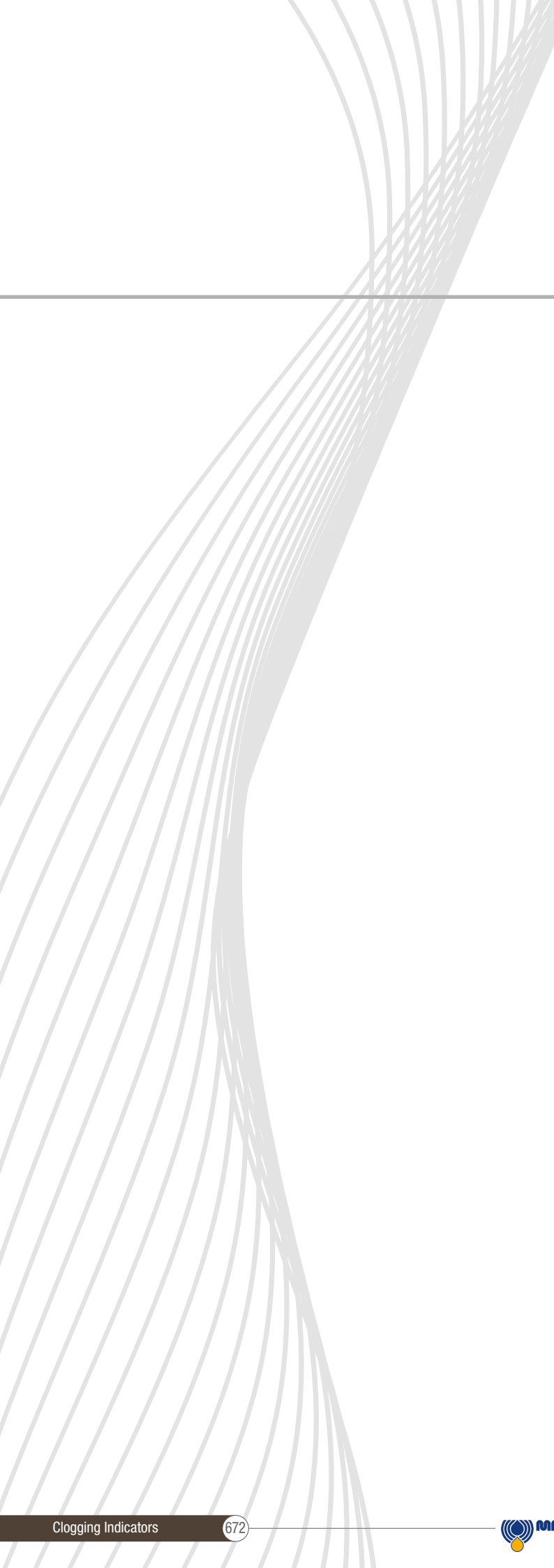
- Vacuum switches and gauges
- Pressure switches and gauges
- Differential pressure indicators

These type of devices can be provided with a visual, electrical or both signals. The electronic differential pressure clogging indicator is also available. It provides both analogical 4-20 mA output and digital warning (75% of clogging) and alarm (clogging) outputs.

In the following pages you can find a reference guide about the types of clogging indicators available in the different families of MP Filtri's Hydraulic Filtration range of products.

# Clogging Indicators







# DESIGNATION, ORDERING CODES & TECHNICAL DATA

## INDEX

	Page
QUICK REFERENCE GUIDE	674
<b>ORDERING CODES</b>	
SUCTION FILTERS	679
RETURN FILTERS	680
RETURN / SUCTION FILTERS	682
SPIN-ON FILTERS	684
LOW & MEDIUM PRSSURE FILTERS	686
HIGH PRESSURE FILTERS	687
STAINLESS STEEL HIGH PRESSURE FILTERS	688
FILTERS FOR POTENTIALLY EXPLOSIVE ATMOSPHERE	689
<b>TECHNICAL DATA</b>	
VACUUM INDICATORS	690
BAROMETRIC INDICATORS	692
DIFFERENTIAL INDICATORS	696
PLUGS	706

# QUICK REFERENCE GUIDE

## Ordering codes

Filter family	Filter series	Visual indicators	Electrical indicators	Electronic / Electrical-Visual indicators		
SUCTION FILTERS	<b>ELIXIR®</b> SFEX060-080-110-160	VVB20P01 VVS20P01	VEB21AA50P01	VLB21AA51P01 VLB21AA52P01 VLB21AA53P01 VLB21AA71P01		
	With bypass valve 0.3 bar	<hr/> SF2 250 - 350 SF2 500 - 501 - 503 - 504 - 505 SF2 510 - 535 - 540	VVA20P01 VVR20P01	VEA21xA50P01	VLA21xA51P01 VLA21xA52P01 VLA21xA53P01 VLA21xA71P01	
RETURN FILTERS	<b>ELIXIR®</b> RFEX060-080-110-160	BVA14P01 BVR14P01 BVP15HP01 BVQ15HP01	BEA15HA50P01 BEM15HA41P01	BLA15HA51P01 BLA15HA52P01 BLA15HA53P01 BLA15HA71P01		
	With bypass 1.75 bar	<hr/> <b>ELIXIR®</b> RFEX060-080-110-160	BVA25P01 BVR25P01 BVP20HP01 BVQ20HP01	BEA20HA50P01 BEM20HA41P01	BLA20HA51P01 BLA20HA52P01 BLA20HA53P01 BLA20HA71P01	
	Without bypass	<hr/> MDH 250	BVA14P01 BVR14P01 BVP15HP01 BVQ15HP01 DVS12HP01	BEA15HA50P01 BEM15HA41P01 DES12HA10P01 DES12HA30P01 DES12HA80P01	BLA15HA51P01 BLA15HA52P01 BLA15HA53P01 BLA15HA71P01	
	With bypass 1.75 bar	<hr/> MDH 250	BVA25P01 BVR25P01 BVP20HP01 BVQ20HP01 DVS25HP01	BEA20HA50P01 BEM20HA41P01 DES25HA10P01 DES25HA30P01 DES25HA80P01	BLA20HA51P01 BLA20HA52P01 BLA20HA53P01 BLA20HA71P01	
	With bypass 3 bar	<hr/> MPFX MPTX MPF MPT MPH	BVA14P01 BVR14P01 BVP15HP01 BVQ15HP01	BEA15HA50P01 BEM15HA41P01	BLA15HA51P01 BLA15HA52P01 BLA15HA53P01 BLA15HA71P01	
	With bypass 1.75 bar	<hr/> MPFX MPTX MPF MPT	BVA25P01 BVR25P01 BVP20HP01 BVQ20HP01	BEA20HA50P01 BEM20HA41P01	BLA20HA51P01 BLA20HA52P01 BLA20HA53P01 BLA20HA71P01	
	With bypass 3 bar	<hr/> MPH	<hr/> MPLX	DVA20xP01 DVM20xP01	DEA20xA50P01 DEM20XX10P01 DEM20XX20P01 DEM20XX30P01 DEM20XX35P01	DLA20xA51P01 DLA20xA52P01 DLA20xA71P01 DLE20xA50P01 DLE20xF50P01 DTA20xF70P01
	With bypass 2.5 bar	<hr/> MPH	<hr/> MPLX	<hr/> DVA20xP01 DVM20xP01	DEA20xA50P01 DEM20XX10P01 DEM20XX20P01 DEM20XX30P01 DEM20XX35P01	DLA20xA51P01 DLA20xA52P01 DLA20xA71P01 DLE20xA50P01 DLE20xF50P01 DTA20xF70P01
	With bypass 4.5 bar	<hr/> MPH	<hr/> FRI	<hr/> DVA20xP01 DVM20xP01	DEA20xA50P01 DEM20XX10P01 DEM20XX20P01 DEM20XX30P01 DEM20XX35P01	DLA20xA51P01 DLA20xA52P01 DLA20xA71P01 DLE20xA50P01 DLE20xF50P01 DTA20xF70P01
	With bypass 2.4 bar	<hr/> FRI	<hr/> FRI	<hr/> DVA20xP01 DVM20xP01	DEA20xA50P01 DEM20XX10P01 DEM20XX20P01 DEM20XX30P01 DEM20XX35P01	DLA20xA51P01 DLA20xA52P01 DLA20xA71P01 DLE20xA50P01 DLE20xF50P01 DTA20xF70P01

Filter family	Filter series	Visual indicators	Electrical indicators	Electronic / Electrical-Visual indicators	
RETURN / SUCTION FILTERS	MRSX 116 - 165 - 166 Suction line	VVB20P01 VVS20P01	VEB21AA50P01	VLB21AA51P01 VLB21AA52P01 VLB21AA53P01 VLB21AA71P01	
	With bypass valve 2.5 bar	BVA25P01	BEA20HA50P01		
	MRSX 116 - 165 - 166 Return line	BVR25P01 BVP20HP01 BVQ20HP01	BEM20HA41P01 BET25HF10P01 BET25HF30P01 BET25HF50P01	BLA20HA51P01 BLA20HA52P01 BLA20HA53P01 BLA20HA71P01	
	With bypass valve 2.5 bar		BEA20HA50P01 BEM20HA41P01	BLA20HA51P01 BLA20HA52P01 BLA20HA53P01 BLA20HA71P01	
	LMP 124 MULTIPORT	BVP20HP01 BVQ20HP01 DVA20xP01 DVM20xP01	BET25HF10P01 BET25HF30P01 BET25HF50P01 DEA20xA50P01 DEM20XX10P01 DEM20XX20P01 DEM20XX30P01 DEM20XX35P01	DLA20xA51P01 DLA20xA52P01 DLA20xA71P01 DLE20xA50P01 DLE20xF50P01 DTA20xF70P01	
	Suction line	MPS 050 - 070 - 100 - 150 MPS 200 - 250 - 300 - 350	WB20P01 WVS20P01	VEB21AA50P01	VLB21AA51P01 VLB21AA52P01 VLB21AA53P01 VLB21AA71P01
	Return line	MPS 050 - 070 - 100 - 150 MPS 200 - 250 - 300 - 350 MST 050 - 070 - 100 - 150	BVA14P01 BVR14P01 BVP15HP01 BVQ15HP01	BEA15HA50P01 BEM15HA41P01	BLA15HA51P01 BLA15HA52P01 BLA15HA53P01 BLA15HA71P01
	In-line	MPS 051 - 071 - 101 - 151 MPS 301 - 351 MSH 050 - 070 - 100 - 150	DVA12xP01 DVM12xP01	DEA12xA50P01 DEM12xAxxP01	DLA12xA51P01 DLA12xA52P01 DLA12xA71P01 DLE12xA50P01 DLE12xF50P01 DLE20xF50P01 DLE20xF50P01 DTA12xA70P01 DTA12xF70P01 DTA20xA70P01 DTA20xF70P01

# QUICK REFERENCE GUIDE

## Ordering codes

Filter family	Filter series	Visual indicators	Electrical indicators	Electronic / Electrical-Visual indicators
LOW & MEDIUM PRESSURE FILTERS	<b>ELIXIR®</b> LFEX060-080-110-160	DVS25HP01	DES25HA10P01 DES25HA30P01 DES25HA80P01	
	With bypass valve 3.5 bar LMP 110 - 112 - 116 - 118 - 119 MULTIPORT LMP 120 - 122 - 123 MULTIPORT LMP 210 - 211 - LDP LMP 400 - 401 & 430 - 431 LMP 900 - 901 LMP 902 - 903 LMP 950 - 951 LMP 952 - 953 - 954 LMD 211 - 400 - 401 - 431 - 951 - LDD	DVA20xP01 DVM20xP01	DEA20xA50P01 DEM20xx10P01 DEM20xx20P01 DEM20xx30P01 DEM20xx35P01	DLA20xA51P01 DLA20xA52P01 DLA20xA71P01 DLE20xA50P01 DLE20xF50P01 DTA20xF70P01
HIGH PRESSURE FILTERS	<b>ELIXIR®</b> LFEX060-080-110-160	DVS40HP01	DES40HA10P01 DES40HA30P01 DES40HA80P01	
	Without bypass valve LMP 110 - 112 - 116 - 118 - 119 MULTIPORT LMP 120 - 122 - 123 MULTIPORT LMP 210 - 211 - LDP LMP 400 - 401 & 430 - 431 LMP 900 - 901 LMP 902 - 903 LMP 950 - 951 LMP 952 - 953 - 954 LMD 211 - 400 - 401 - 431 - 951 - LDD	DVA50xP01 DVM50xP01	DEA50xA50P01 DEM50xx10P01 DEM50xx20P01 DEM50xx30P01 DEM50xx35P01	DLA50xA51P01 DLA50xA52P01 DLA50xA71P01 DLE50xA50P01 DLE50xF50P01 DTA50xF70P01
HIGH PRESSURE FILTERS	FMP 039 - 065 - 135 - 320 FHP 010 - 011 - 065 - 135 - 350 - 351 - 500 FMMX 050 FMM 050 - 150 FHA 051 FHM 006 - 007 - 010 - 050 - 065 - 135 - 320 - 500 FHB 050 - 135 - 320 FHF 325 FHD 021 - 051 - 326 - 333	DVA50xP01 DVM50xP01	DEA50xA50P01 DEM50xx10P01 DEM50xx20P01 DEM50xx30P01 DEM50xx35P01	DLA50xA51P01 DLA50xA52P01 DLA50xA71P01 DLE50xA50P01 DLE50xF50P01
	FMP 039 - 065 - 135 - 320 FHP 010 - 011 - 065 - 135 - 350 - 351 - 500 FMMX 050 FMM 050 - 150 FHA 051 FHM 006 - 007 - 010 - 050 - 065 - 135 - 320 - 500 FHB 050 - 135 - 320 FHF 325 FHD 021 - 051 - 326 - 333	DVA70xP01 DVA95xP01 DVM70xP01 DVM95xP01	DEA70xA50P01 DEA95xA50P01 DEM70xx10P01 DEM70xx20P01 DEM70xx30P01 DEM70xx35P01 DEM95xx10P01 DEM95xx20P01 DEM95xx30P01 DEM95xx35P01	DLA70xA51P01 DLA70xA52P01 DLA70xA71P01 DLA95xA51P01 DLA95xA52P01 DLA95xA71P01 DLE70xA50P01 DLE70xF50P01 DLE95xA50P01 DLE95xF50P01 DTA70xF70P01 DTA95xF70P01

Filter family	Filter series	Visual indicators	Electrical indicators	Electronic / Electrical-Visual indicators
STAINLESS STEEL HIGH PRESSURE FILTERS	With bypass valve 6 bar	FZH 012 - 040	DVZ50xP01	DEZ50xA50P01 DLZ50xA50P01 DLZ70xA50P01 DLZ95xA50P01
	Without bypass valve	FZH 012 - 040	DVZ70xP01 DVZ95xP01	DEZ70xA50P01 DEZ95xA50P01
	With bypass valve 6 bar	FZP 039 - 136 FZB 039 FZM 039 FZD 051	DVX50xP01 DZY50xP01	DEX50xA50P01 DLX50xA51P01 DLX50xA52P01
	Without bypass valve	FZP 039 - 136 FZB 039 FZM 039 FZD 010 - 021 - 051	DVX70xP01 DZY95xP01 DZY70xP01 DZY95xP01	DEX70xA50P01 DEX95xA50P01 DLX70xA51P01 DLX70xA52P01 DLX95xA51P01 DLX95xA52P01
FILTERS FOR POTENTIALLY EXPLOSIVE ATMOSPHERE	With bypass valve 6 bar	FMMX 050 FMM 050 - 150	DVA50xP01 DVM50xP01	DEH50xA48P01 DEH50xA49P01 DEH50xA70P01
	Without bypass valve	FMMX 050 FMM 050 - 150	DVA70xP01 DVA95xP01 DVM70xP01 DVM95xP01	DEH70xA48P01 DEH70xA49P01 DEH70xA70P01 DEH95xA48P01 DEH95xA49P01 DEH95xA70P01
	With bypass valve 6 bar	FZP 039 - 136	DVX50xP01 DZY50xP01	DEH50xA48P01 DEH50xA49P01 DEH50xA70P01
	Without bypass valve	FZP 039 - 136	DVX70xP01 DZY95xP01 DZY70xP01 DZY95xP01	DEH70xA48P01 DEH70xA49P01 DEH70xA70P01 DEH95xA48P01 DEH95xA49P01 DEH95xA70P01
	With bypass valve 6 bar	FZH 012 - 040	DVZ50xP01	
	Without bypass valve	FZH 012 - 040	DVZ70xP01 DVZ95xP01	

Suitable indicator types

**V ACUUM INDICATORS**

Vacuum indicators are used on the Suction line to check the efficiency of the filter element.

They measure the pressure downstream of the filter element.

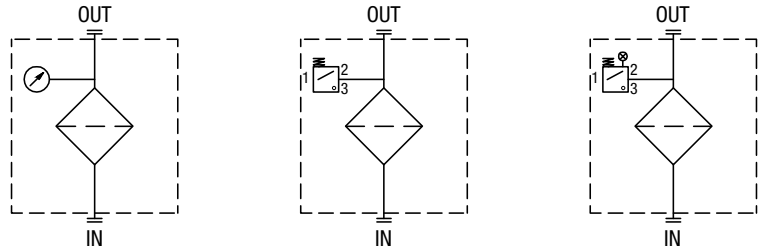
Standard items are produced with R 1/4" EN 10226 connection.

Available products with R 1/8" EN 10226 to be fitted on MPS series.

Vacuum indicators are identified in the Hydraulic Filtration catalogue and in the Quick Reference Guide table by the letter "V".

Example:

**V** VVB20P01



**B BAROMETRIC INDICATORS**

Pressure indicators are used on the Return line to check the efficiency of the filter element.

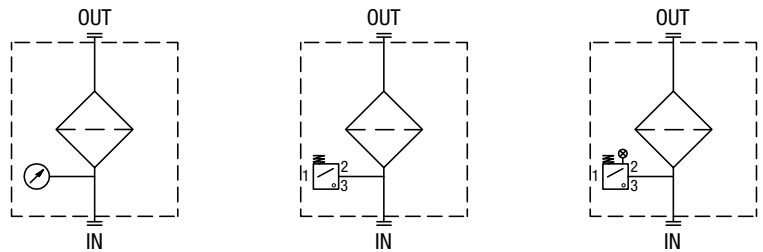
They measure the pressure upstream of the filter element.

Standard items are produced with R 1/8" EN 10226 connection.

Barometric indicators are identified in the Hydraulic Filtration catalogue and in the Quick Reference Guide table by the letter "B".

Example:

**B** BVA14P01



**D DIFFERENTIAL INDICATORS**

Differential indicators are used on the Pressure line to check the efficiency of the filter element.

They measure the pressure upstream and downstream of the filter element (differential pressure).

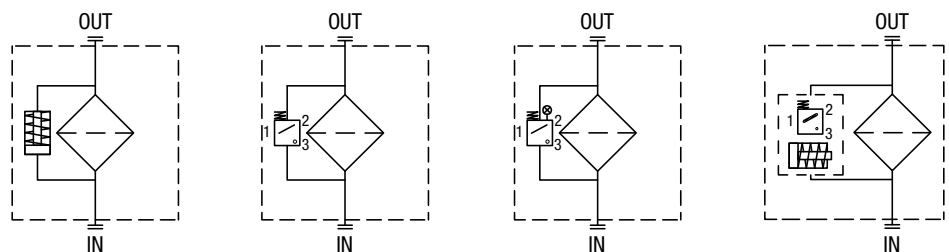
Standard items are produced with special connection G 1/2" size.

Also available in Stainless Steel models.

Differential indicators are identified in the Hydraulic Filtration catalogue and in the Quick Reference Guide table by the letter "D".

Example:

**D** DVA20xP01





## Designation & Ordering code

### BAROMETRIC INDICATORS

Series
<b>BE</b> Electrical pressure indicator
<b>BL</b> Electrical/Visual pressure indicator
<b>BV</b> Visual pressure indicator

Configuration example 1:	BE	M	15	H	A	41	P01
Configuration example 2:	BL	A	20	H	A	71	P01
Configuration example 3:	BV	R	14				P01
Configuration example 4:	BV	P	20	H			P01

Type	BE	BL	BV
<b>A</b> Standard type	•	•	<b>A</b> Axial connection pressure gauge
<b>M</b> With wired electrical connection	•	-	<b>R</b> Radial connection pressure gauge
<b>T</b> With thermal switch	•	-	<b>P</b> Visual indicator with automatic reset
			<b>Q</b> Visual indicator with manual reset

Pressure setting	BEA-BEM	BET	BLA	BVA-BVR	BVP-BVQ
<b>14</b> 1.4 bar	-	-	-	•	-
<b>15</b> 1.5 bar	•	-	•	-	-
<b>20</b> 2.0 bar	•	•	•	-	•
<b>25</b> 2.5 bar	-	•	-	•	-

Seals	BE	BLA	BVA-BVR	BVP-BVQ
<b>H</b> HNBR	•	•	-	•

Thermostat	BEA-BEM	BET	BLA
<b>A</b> Without	•	-	•
<b>F</b> With	-	•	-

Electrical connections	BEA	BEM	BET	BL
<b>10</b> Connection AMP Superseal series 1,5	-	-	•	-
<b>30</b> Connection Deutsch DT-04-2-P	-	-	•	-
<b>41</b> Connection via four-core cable	-	•	-	-
<b>50</b> Connection EN 175301-803	•	-	-	-
<b>51</b> Connection EN 175301-803, transparent base with lamps 24 Vdc	-	-	-	•
<b>52</b> Connection EN 175301-803, transparent base with lamps 110 Vdc	-	-	-	•
<b>53</b> Connection EN 175301-803, transparent base with lamps 230 Vdc	-	-	-	•
<b>71</b> Connection IEC 61076-2-101 D (M12), black base with lamps 24 Vdc	-	-	-	•

Option
<b>P01</b> MP Filtri standard
<b>Pxx</b> Customized



### DIFFERENTIAL INDICATORS

Series
<b>DE</b> Electrical differential indicator
<b>DL</b> Electrical/Visual differential indicator
<b>DT</b> Electrical differential indicator
<b>DV</b> Visual differential indicator

Configuration example 1:	DE	M	20	H	F	50	P01
Configuration example 2:	DL	E	20	V	A	71	P01
Configuration example 3:	DT	A	20	H	F	70	P01
Configuration example 4:	DV	M	20	V			P01

Type	DE	DL	DT
<b>A</b> Standard type	•	•	•
<b>M</b> With wired electrical connection	•	-	-
<b>E</b> For high power supply	-	•	-
<b>S</b> Compact version	•	-	-

DV
<b>A</b> With automatic reset
<b>M</b> With manual reset
<b>S</b> With automatic reset

Pressure setting	DE	DL	DT	DV
<b>12</b> 1.2 bar	•	•	•	•
<b>20</b> 2.0 bar	•	•	•	•
<b>25</b> 2.5 bar	•	-	-	•
<b>40</b> 4.0 bar	•	-	-	•
<b>50</b> 5.0 bar	•	•	•	•
<b>70</b> 7.0 bar	•	•	•	•
<b>95</b> 9.5 bar	•	•	•	•

Seals	DEA	DEM	DES	DL	DT	DVA	DVM	DVS
<b>H</b> HNBR	•	•	•	•	•	•	•	•
<b>V</b> FPM	•	•	-	•	•	•	•	-

Thermostat	DEA	DEM	DES	DLA	DLE	DT
<b>A</b> Without thermostat	•	•	•	•	•	-
<b>F</b> With thermostat	-	•	-	-	•	•

Electrical connections	DEA	DEM	DES	DLA	DLE	DT
<b>10</b> Connection AMP Superseal series 1.5	-	•	•	-	-	-
<b>20</b> Connection AMP Timer Junior	-	•	-	-	-	-
<b>30</b> Connection Deutsch DT-04-2-P	-	•	•	-	-	-
<b>35</b> Connection Deutsch DT-04-3-P	-	•	-	-	-	-
<b>50</b> Connection EN 175301-803	•	-	-	-	•	-
<b>51</b> Connection EN 175301-803, transparent base with lamps 24 Vdc	-	-	-	•	-	-
<b>52</b> Connection EN 175301-803, transparent base with lamps 110 Vdc	-	-	-	•	-	-
<b>70</b> Connection IEC 61076-2-101 D (M12)	-	-	-	-	-	•
<b>71</b> Connection IEC 61076-2-101 D (M12), black base with lamps 24 Vdc	-	-	-	•	-	-
<b>80</b> Connection Stud #10-32 UNF	-	-	•	-	-	-

Option
<b>P01</b> MP Filtri standard
<b>Pxx</b> Customized

### DIFFERENTIAL INDICATOR PLUGS

Series	DEA	DEM	DES	DL	DT	DVA	DVM	DVS
<b>T2</b> Differential Indicator plug	•	•	-	•	•	•	•	-
<b>T4</b> Differential Indicator plug	-	-	•	-	-	-	-	•

Configuration example 

T2
----

H
---

Seals	T2	T4
<b>A</b> NBR	-	•
<b>H</b> HNBR	•	-
<b>V</b> FPM	•	-

# VACUUM INDICATORS

## Technical data

VE*50	
<b>Electrical Vacuum Indicator</b> Connection: EN 175301-803	
R	Ordering code
EN 10226 - R1/4"	VE A 21 x A 50 P01
EN 10226 - R1/8"	VE B 21 A A 50 P01
<p>A/F 27 Max tightening torque: 25 N·m</p>	
<p><b>Hydraulic symbol</b></p> <p><b>Electrical symbol</b></p> <p><b>Materials</b></p> <ul style="list-style-type: none"> <li>- Body: Brass</li> <li>- Base: Black polyamide</li> <li>- Contacts: Silver</li> <li>- Seal: VEA: NBR/FPM VEB: NBR</li> </ul> <p><b>Technical data</b></p> <ul style="list-style-type: none"> <li>- Vacuum setting: -0.21 bar ±10%</li> <li>- Max working pressure: 10 bar</li> <li>- Proof pressure: 15 bar</li> <li>- Working temperature: From -25 °C to +80 °C</li> <li>- Compatibility with fluids: Mineral oils, Synthetic fluids HFA, HFB, HFC according to ISO 2943</li> <li>- Degree of protection: IP65 according to EN 60529</li> </ul> <p><b>Electrical data</b></p> <ul style="list-style-type: none"> <li>- Electrical connection: EN 175301-803</li> <li>- Resistive load: 5 A / 14 Vdc 4 A / 30 Vdc 5 A / 125 Vac 4 A / 250 Vac</li> </ul> <p>- CE certification</p> <p>- Available Atex product: II 1GD Ex ia IIC Tx Ex ia IIIC Tx °C X</p> <p><b>Ex</b></p> <ul style="list-style-type: none"> <li>- Certification / Approvals: ATEX</li> <li>- Certification included as standard</li> </ul>	

VL*51 - VL*52 - VL*53	
<b>Electrical/Visual Vacuum Indicator</b>	
<b>51:</b> Connection EN 175301-803, transparent base with lamps 110 Vdc <b>52:</b> Connection EN 175301-803, transparent base with lamps 24 Vdc <b>53:</b> Connection EN 175301-803, transparent base with lamps 230 Vdc	
R	Ordering code
EN 10226 - R1/4"	VL A 21 x A xx P01
EN 10226 - R1/8"	VL B 21 A A xx P01
<p>A/F 27 Max tightening torque: 25 N·m</p>	
<p><b>Hydraulic symbol</b></p> <p><b>Electrical symbol</b></p> <p><b>Materials</b></p> <ul style="list-style-type: none"> <li>- Body: Brass</li> <li>- Base: Transparent polyamide</li> <li>- Contacts: Brass - Polyamide</li> <li>- Seal: VLA: NBR/FPM VLB: NBR</li> </ul> <p><b>Technical data</b></p> <ul style="list-style-type: none"> <li>- Vacuum setting: -0.21 bar ±10%</li> <li>- Max working pressure: 10 bar</li> <li>- Proof pressure: 15 bar</li> <li>- Working temperature: From -25 °C to +80 °C</li> <li>- Compatibility with fluids: Mineral oils, Synthetic fluids HFA, HFB, HFC according to ISO 2943</li> <li>- Degree of protection: IP65 according to EN 60529</li> </ul> <p><b>Electrical data</b></p> <ul style="list-style-type: none"> <li>- Electrical connection: EN 175301-803</li> <li>- Type: 51                      52                      53</li> <li>- Lamps: 24 Vdc              110 Vdc              230 Vac</li> <li>- Resistive load: 1 A / 24 Vdc    1 A / 110 Vdc    1 A / 230 Vac</li> </ul>	

VL*71	
<b>Electrical/Visual Vacuum Indicator</b> Connection IEC 61076-2-101 D (M12), black base with lamps 24 Vdc	
Connections	Indicator code
EN 10226 - R1/4"	VL A 21 x A 71 P01
EN 10226 - R1/8"	VL B 21 A A 71 P01
<p>A/F 27 Max tightening torque: 25 N·m</p>	
<p><b>Hydraulic symbol</b></p> <p><b>Electrical symbol</b></p> <p><b>Materials</b></p> <ul style="list-style-type: none"> <li>- Body: Brass</li> <li>- Base: Black polyamide</li> <li>- Contacts: Silver</li> <li>- Seal: VLA: NBR/FPM VLB: NBR</li> </ul> <p><b>Technical data</b></p> <ul style="list-style-type: none"> <li>- Vacuum setting: -0.21 bar ±10%</li> <li>- Max working pressure: 10 bar</li> <li>- Proof pressure: 15 bar</li> <li>- Working temperature: From -25 °C to +80 °C</li> <li>- Compatibility with fluids: Mineral oils, Synthetic fluids HFA, HFB, HFC according to ISO 2943</li> <li>- Degree of protection: IP65 according to EN 60529</li> </ul> <p><b>Electrical data</b></p> <ul style="list-style-type: none"> <li>- Electrical connection: IEC 61076-2-101 D (M12)</li> <li>- Lamps: 24 Vdc (black base)</li> <li>- Resistive load: 0.4 A / 24 Vdc</li> </ul>	

VVA - VVB	
<b>Axial Vacuum Gauge</b>	
R	Ordering code
EN 10226 - R1/4"	VVA 20 P01
EN 10226 - R1/8"	VVB 20 P01
<b>Hydraulic symbol</b>	
<b>Dial scale</b>	
<b>Conversion to SI units</b>	
[cmHg]	[bar]
-12	-0.16
-18	-0.24
-76	-1.01
<b>Materials</b> - Case: Black plastic - Window: Clear plastic - Dial: White plastic - Pointer: Black plastic - Pressure connection: Cu-alloy - Pressure element: Bourdon tube Cu-alloy soft soldered, C type - Movement: Cu-alloy	
<b>Technical data</b> - Max working pressure: Steady: -0.7 bar Fluctuating: -0.6 bar Short time: -1.0 bar - Working temperature: Ambienti from -40 °C to +60 °C Fluid max + 60 °C Storage from -40 °C to +60 °C - Compatibility with fluids: Mineral oils, Synthetic fluids HFA, HFB and HFC according to ISO 2943 - Accuracy: Class 2.5 according to EN 13190 - Degree of protection: IP31 according to EN 60529	

VVR - VVS		
<b>Radial Vacuum Gauge</b>		
R	A/F	Ordering code
EN 10226 - R1/4"	14	VVR 20 P01
EN 10226 - R1/8"	11	VVS 20 P01
<b>Hydraulic symbol</b>		
<b>Dial scale</b>		
<b>Conversion to SI units</b>		
[cmHg]	[bar]	
-12	-0.16	
-18	-0.24	
-76	-1.01	
<b>Materials</b> - Case: Black plastic - Window: Clear plastic - Dial: White plastic - Pointer: Black plastic - Pressure connection: Cu-alloy - Pressure element: Bourdon tube Cu-alloy soft soldered, C type - Movement: Cu-alloy		
<b>Technical data</b> - Max working pressure: Steady: -0.7 bar Fluctuating: -0.6 bar Short time: -1.0 bar - Working temperature: Ambienti from -40 °C to +60 °C Fluid max + 60 °C Storage from -40 °C to +60 °C - Compatibility with fluids: Mineral oils, Synthetic fluids HFA, HFB and HFC according to ISO 2943 - Accuracy: Class 2.5 according to EN 13190 - Degree of protection: IP31 according to EN 60529		

# BAROMETRIC INDICATORS

## Dimensions

BEA*50	
<b>Electrical Pressure Indicator</b> Connection EN 175301-803	
Settings	Ordering code
1.5 bar $\pm 10\%$	BE A 15 H A 50 P01
2.0 bar $\pm 10\%$	BE A 20 H A 50 P01

**Hydraulic symbol**

**Electrical symbol**

**Materials**

- Body: Brass
- Base: Black polyamide
- Contacts: Silver
- Seal: HNBR

**Technical data**

- Max working pressure: 40 bar
- Proof pressure: 60 bar
- Working temperature: From -25 °C to +80 °C
- Compatibility with fluids: Mineral oils, Synthetic fluids  
HFA, HFB, HFC according to ISO 2943
- Degree of protection: IP65 according to EN 60529

**Electrical data**

- Electrical connection: EN 175301-803
- Resistive load: 5 A / 14 Vdc  
4 A / 30 Vdc  
5 A / 125 Vac  
4 A / 250 Vac
- CE certification
- Available Atex product: I M1 Ex ia I Ma  
II 1GD Ex ia IIC Tx Ex ia IIIC Tx °C X

**Ex**  
- Certification / Approvals: ATEX  
- Certification included as standard

BEM*41	
<b>Electrical Pressure Indicator</b> Connection via four-core cable	
Settings	Ordering code
1.5 bar $\pm 10\%$	BE M 15 H A 41 P01
2.0 bar $\pm 10\%$	BE M 20 H A 41 P01

**Hydraulic symbol**

**Electrical symbol**

**Materials**

- Body: Brass
- Base: Black polyamide
- Contacts: Silver
- Seal: HNBR

**Technical data**

- Max working pressure: 40 bar
- Proof pressure: 60 bar
- Working temperature: From -25 °C to +80 °C
- Compatibility with fluids: Mineral oils, Synthetic fluids  
HFA, HFB, HFC according to ISO 2943
- Degree of protection: IP67 according to EN 60529

**Electrical data**

- Electrical connection: Four-core cable
- Resistive load: 5 A / 14 Vdc  
4 A / 30 Vdc  
5 A / 125 Vac  
4 A / 250 Vac
- CE certification
- On request this indicator can be provided with main connectors in use for wirings.

BET*10	
<b>Electrical Pressure Indicator</b> Connection AMP Superseal series 1.5	
Settings	Ordering code
2.0 bar $\pm 10\%$	BET 20 H F 10 P01
2.5 bar $\pm 10\%$	BET 25 H F 10 P01

**Hydraulic symbol**

**Electrical symbol**

**Materials**

- Body: Brass
- Base: Black polyamide
- Contacts: Silver
- Seal: HNBR

**Technical data**

- Max working pressure: 10 bar
- Proof pressure: 15 bar
- Working temperature: From -25 °C to +100 °C
- Compatibility with fluids: Mineral oils, Synthetic fluids  
HFA, HFB, HFC according to ISO 2943
- Degree of protection: IP65 according to EN 60529

**Electrical data**

- Electrical connection: AMP Superseal series 1.5
- Resistive load: 0.5 A / 48 Vdc
- Thermostat condition: Open up to 30 °C
- CE certification

BET*30	
<b>Electrical Pressure Indicator</b> Deutsch DT-04-2-P	
Settings	Ordering code
2.0 bar $\pm 10\%$	BET 20 H F 30 P01
2.5 bar $\pm 10\%$	BET 25 H F 30 P01
<p><b>Hydraulic symbol</b></p>	
<p><b>Electrical symbol</b></p>	
<p><b>Materials</b></p> <ul style="list-style-type: none"> <li>- Body: Brass</li> <li>- Base: Black polyamide</li> <li>- Contacts: Silver</li> <li>- Seal: HNBR</li> </ul>	
<p><b>Technical data</b></p> <ul style="list-style-type: none"> <li>- Max working pressure: 10 bar</li> <li>- Proof pressure: 15 bar</li> <li>- Working temperature: From -25 °C to +100 °C</li> <li>- Compatibility with fluids: Mineral oils, Synthetic fluids HFA, HFB, HFC according to ISO 2943</li> <li>- Degree of protection: IP65 according to EN 60529</li> </ul>	
<p><b>Electrical data</b></p> <ul style="list-style-type: none"> <li>- Electrical connection: Deutsch DT-04-2-P</li> <li>- Resistive load: 0.5 A / 48 Vdc</li> <li>- Thermostat condition: Open up to 30 °C</li> <li>- CE certification</li> </ul>	

BET*50	
<b>Electrical Pressure Indicator</b> Connection EN 175301-803	
Settings	Ordering code
2.0 bar $\pm 10\%$	BET 20 H F 50 P01
2.5 bar $\pm 10\%$	BET 25 H F 50 P01
<p><b>Hydraulic symbol</b></p>	
<p><b>Electrical symbol</b></p>	
<p><b>Materials</b></p> <ul style="list-style-type: none"> <li>- Body: Brass</li> <li>- Base: Black polyamide</li> <li>- Contacts: Silver</li> <li>- Seal: HNBR</li> </ul>	
<p><b>Technical data</b></p> <ul style="list-style-type: none"> <li>- Max working pressure: 10 bar</li> <li>- Proof pressure: 15 bar</li> <li>- Working temperature: From -25 °C to +100 °C</li> <li>- Compatibility with fluids: Mineral oils, Synthetic fluids HFA, HFB, HFC according to ISO 2943</li> <li>- Degree of protection: IP65 according to EN 60529</li> </ul>	
<p><b>Electrical data</b></p> <ul style="list-style-type: none"> <li>- Electrical connection: EN 175301-803</li> <li>- Resistive load: 0.5 A / 48 Vdc</li> <li>- Thermostat condition: Open up to 30 °C</li> <li>- CE certification</li> </ul>	

BL*51 - BL*52 - BL*53	
<b>Electrical/Visual Pressure Indicator</b>	
<b>51:</b> Connection EN 175301-803, transparent base with lamps 110 Vdc <b>52:</b> Connection EN 175301-803, transparent base with lamps 24 Vdc <b>53:</b> Connection EN 175301-803, transparent base with lamps 230 Vdc	
Settings	Ordering code
1.5 bar $\pm 10\%$	BL A 15 H A xx P01
2.0 bar $\pm 10\%$	BL A 20 H A xx P01
<p><b>Hydraulic symbol</b></p>	
<p><b>Electrical symbol</b></p>	
<p><b>Materials</b></p> <ul style="list-style-type: none"> <li>- Body: Brass</li> <li>- Base: Transparent polyamide</li> <li>- Contacts: Silver</li> <li>- Seal: HNBR</li> </ul>	
<p><b>Technical data</b></p> <ul style="list-style-type: none"> <li>- Max working pressure: 40 bar</li> <li>- Proof pressure: 60 bar</li> <li>- Working temperature: From -25 °C to +80 °C</li> <li>- Compatibility with fluids: Mineral oils, Synthetic fluids HFA, HFB, HFC according to ISO 2943</li> <li>- Degree of protection: IP65 according to EN 60529</li> </ul>	
<p><b>Electrical data</b></p> <ul style="list-style-type: none"> <li>- Electrical connection: EN 175301-803</li> <li>- Type: 51                      52                      53</li> <li>- Lamps: 24 Vdc              110 Vdc              230 Vac</li> <li>- Resistive load: 1 A / 24 Vdc    1 A / 110 Vdc    1 A / 230 Vac</li> </ul>	

# BAROMETRIC INDICATORS

## Dimensions

BL*71	
<b>Electrical/Visual Pressure Indicator</b> Connection IEC 61076-2-101 D (M12), black base with lamps 24 Vdc	
Settings	Ordering code
1.5 bar $\pm$ 10%	BLA 15 HA 71 P01
2.0 bar $\pm$ 10%	BLA 20 HA 71 P01

**Hydraulic symbol**

**Electrical symbol**

**Materials**

- Body: Brass
- Base: Black polyamide
- Contacts: Silver
- Seal: HNBR

**Technical data**

- Max working pressure: 40 bar
- Proof pressure: 60 bar
- Working temperature: From -25 °C to +80 °C
- Compatibility with fluids: Mineral oils, Synthetic fluids  
HFA, HFB, HFC according to ISO 2943
- Degree of protection: IP65 according to EN 60529

**Electrical data**

- Electrical connection: IEC 61076-2-101 D (M12)
- Lamps: 24 Vdc (black base)
- Resistive load: 0.4 A / 24 Vdc

BVA	
<b>Axial Pressure Gauge</b>	
Settings	Ordering code
1.4 bar $\pm$ 10%	BVA 14 P01
2.5 bar $\pm$ 10%	BVA 25 P01

**Hydraulic symbol**

**Dial scale**

BVA 14 P01

BVA 25 P01

**Materials**

- Case: Painted Steel
- Window: Clear plastic
- Dial: Painted Steel
- Pointer: Black plastic
- Pressure connection: Brass
- Pressure element: Bourdon tube Cu-alloy soft soldered, C type

**Technical data**

- Max working pressure: Static: 7 bar  
Fluctuating: 6 bar  
Short time: 10 bar
- Working temperature: Ambient from -40 °C to +60 °C  
Fluid max +60 °C
- Compatibility with fluids: Mineral oils, Synthetic fluids  
HFA, HFB, HFC according to ISO 2943
- Accuracy: Class 2.5 according to EN 13190
- Degree of protection: IP31 according to EN 60529

BVR	
<b>Radial Pressure Gauge</b>	
Settings	Ordering code
1.4 bar $\pm$ 10%	BV R 14 P01
2.5 bar $\pm$ 10%	BV R 25 P01

**Hydraulic symbol**

**Dial scale**

BV R 14 P01

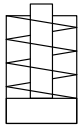
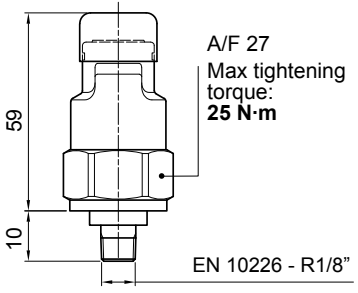
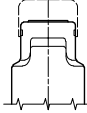
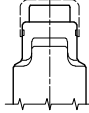
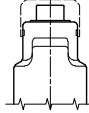
BV R 25 P01

**Materials**

- Case: Painted Steel
- Window: Clear plastic
- Dial: Painted Steel
- Pointer: Black plastic
- Pressure connection: Brass
- Pressure element: Bourdon tube Cu-alloy soft soldered, C type

**Technical data**

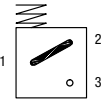
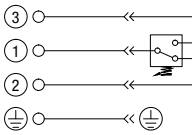
- Max working pressure: Static: 7 bar  
Fluctuating: 6 bar  
Short time: 10 bar
- Working temperature: Ambient from -40 °C to +60 °C  
Fluid max +60 °C
- Compatibility with fluids: Mineral oils, Synthetic fluids  
HFA, HFB, HFC according to ISO 2943
- Accuracy: Class 2.5 according to EN 13190
- Degree of protection: IP31 according to EN 60529

BVP - BVQ		Hydraulic symbol	Materials	
<b>Visual Pressure Indicator</b> BVP - Automatic reset BVQ - Manual reset				
Setting	Ordering code			
1.5 bar ±10%	BV P 15 H P01 BV Q 15 H P01		<b>Technical data</b> - Reset: BVP - Automatic reset BVQ - Manual reset - Max working pressure: 10 bar - Proof pressure: 15 bar - Working temperature: From -25 °C to +80 °C - Compatibility with fluids: Mineral oils, Synthetic fluids HFA, HFB, HFC according to ISO 2943 - Degree of protection: IP45 according to EN 60529	
2.0 bar ±10%	BV P 20 H P01 BV Q 20 H P01			
A/F 27 Max tightening torque: <b>25 N·m</b>		<b>Signals</b>		
EN 10226 - R1/8"				
		Absence of pressure (no indicator)	Presence of pressure (green button rises gradually)	
				Clogged filter element (red button risen)

# DIFFERENTIAL INDICATORS

## Dimensions

DEA*50	
<b>Electrical Differential Indicator</b> Connection: EN 175301-803	
Settings	Ordering code
1.2 bar ±10%	DE A 12 x A 50 P01
2.0 bar ±10%	DE A 20 x A 50 P01
5.0 bar ±10%	DE A 50 x A 50 P01
7.0 bar ±10%	DE A 70 x A 50 P01
9.5 bar ±10%	DE A 95 x A 50 P01

**Materials**

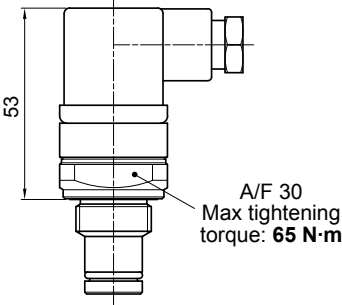
- Body: Brass
- Base: Black polyamide
- Contacts: Silver
- Seal: HNBR - FPM

**Technical data**

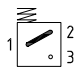
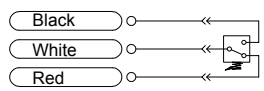
- Max working pressure: 420 bar
- Proof pressure: 630 bar
- Burst pressure: 1260 bar
- Working temperature: From -25 °C to +110 °C
- Compatibility with fluids: Mineral oils, Synthetic fluids  
HFA, HFB, HFC according to ISO 2943
- Degree protection: IP66 according to EN 60529  
IP69K according to ISO 20653

**Electrical data**

- Electrical connection: EN 175301-803
- Resistive load: 0.2 A / 115 Vdc



DEH*48	
<b>Hazardous Area Electrical Differential Indicator</b> Connection via three-core cable - fitting M20x1.5	
Settings	Ordering code
2.0 bar ±10%	DE H 20 x A 48 P01
5.0 bar ±10%	DE H 50 x A 48 P01
7.0 bar ±10%	DE H 70 x A 48 P01

**Materials**

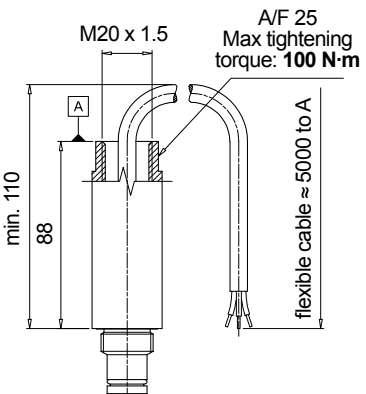
- Body: AISI 316L
- Contacts: Rhodium
- Seal: FPM - MFQ

**Technical data**


- Max working pressure: 420 bar
- Proof pressure: 630 bar
- Burst pressure: 1260 bar
- Working temperature: From -60 °C to +125 °C
- Compatibility with fluids: Mineral oils, Synthetic fluids  
HFA, HFB, HFC according to ISO 2943
- Temperature class: T4 (135 °C) and T6 (85 °C)
- Degree of protection: IP 66/67/68 according to EN 60529
- Connection type: Three-core cable, fitting M20x1.5
- Contact type: SPCO/SPDT (Hermetically sealed - Volt-free contacts)

**Electrical data**

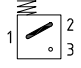
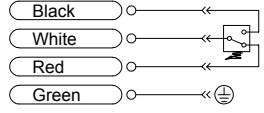
- Connection via three-core cable - fitting M20x1.5
- Resistive Load: 830 mA / 24 Vdc - 180 mA / 110 Vac
- Electrical Ratings:  $U_i = 30 \text{ Vdc} / I_i = 250 \text{ mA} / P_i = 1.3 \text{ W}$
- Available ATEX product: II 1 GD Ex ia IIC T6 Ga -60°C ≤ Ta ≤ 80°C  
Ex ia IIC T4 Ga -60°C ≤ Ta ≤ 125°C  
II 2 GD Ex db IIC T6\* Gb Ex tb IIIC T85°C\* Db  
(Tamb : = -60°C to +70°C)\* IP66/67  
\* alternative T/Class and ambients T4, T135°C  
(Tamb = -60°C to +120°C)



**Certification / Approvals:**  
ATEX, IECEx, EAC TR CU, INMETRO  
- Certification included as standard



DEH*49	
<b>Hazardous Area Electrical Differential Indicator</b> Connection via four-core cable - fitting 1/2" NPT	
Settings	Ordering code
2.0 bar ±10%	DE H 20 x A 49 P01
5.0 bar ±10%	DE H 50 x A 49 P01
7.0 bar ±10%	DE H 70 x A 49 P01

**Materials**

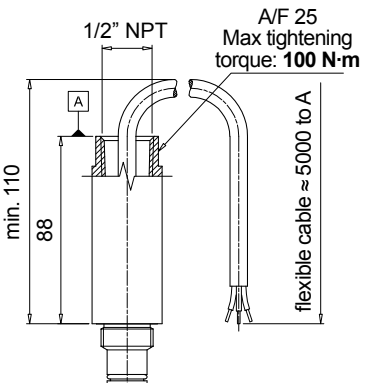
- Body: AISI 316L
- Contacts: Rhodium
- Seal: FPM - MFQ

**Technical data**


- Max working pressure: 420 bar
- Proof pressure: 630 bar
- Burst pressure: 1260 bar
- Working temperature: From -60 °C to +120 °C : ATEX, IECEx, EAC TR CU, INMETRO  
From -60 °C to +105 °C : UL/CSA
- Compatibility with fluids: Mineral oils, Synthetic fluids  
HFA, HFB, HFC according to ISO 2943
- Temperature class: T4 (135 °C) and T6 (85 °C)
- Degree of protection: IP 66/67/68 according to EN 60529
- Connection type: Four-core cable, fitting 1/2" NPT
- Contact type: SPCO/SPDT (Hermetically sealed - Volt-free contacts)

**Electrical data**

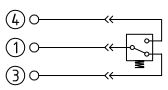
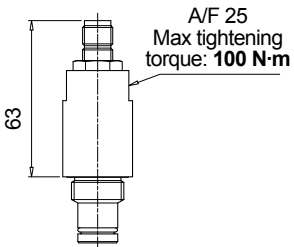

- Connection via four-core cable - fitting 1/2" NPT
- Resistive Load: 830 mA / 24 Vdc - 180 mA / 110 Vac
- Max voltage: 150 Vac/dc
- Power: 20 W
- Available ATEX product: II 1 GD Ex ia IIC T6 Ga -60°C ≤ Ta ≤ 80°C  
Ex ia IIC T4 Ga -60°C ≤ Ta ≤ 125°C  
II 2 GD Ex db IIC T6\* Gb Ex tb IIIC T85°C\* Db  
(Tamb : = -60°C to +70°C)\* IP66/67  
\* alternative T/Class and ambients T4, T135°C  
(Tamb = -60°C to +120°C)

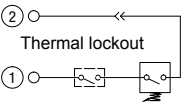
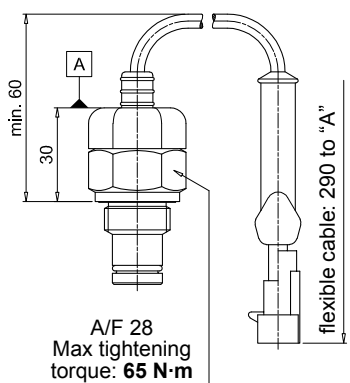


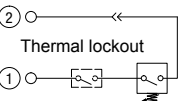
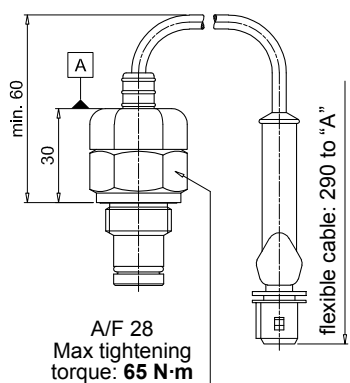
**Certification / Approvals:**  
ATEX, IECEx, EAC TR CU, INMETRO, UL/CSA Class I Division 1 Groups A-D, UL/CSA Class II Division 1 Groups E-G  
- Certification included as standard





DEH*70		Hydraulic symbol	Materials
<b>Hazardous Area</b> <b>Electrical Differential Indicator</b> Connection IEC 61076-2-101 D (M12)			
Settings	Ordering code		
2.0 bar ±10%	DE H 20 x A 70 P01	<b>Electrical symbol</b> 	<b>Technical data</b> - Max working pressure: 420 bar - Proof pressure: 630 bar - Burst pressure: 1260 bar - Working temperature: From -60 °C to +80 °C - Compatibility with fluids: Mineral oils, Synthetic fluids HFA, HFB, HFC according to ISO 2943 - Temperature class: T6 (85 °C) - Degree of protection: IP 66/67 according to EN 60529 - Connection type: IEC 61076-2-101 D (M12) - Contact type: SPCO/SPDT (Hermetically sealed - Volt-free contacts)
5.0 bar ±10%	DE H 50 x A 70 P01		
7.0 bar ±10%	DE H 70 x A 70 P01		
		<b>Electrical data</b> - Connection IEC 61076-2-101 D (M12) - Resistive Load: 830 mA / 24 Vdc - 180 mA / 110 Vdc - Electrical Ratings: Ui = 30 Vdc Ii = 250 mA Pi = 1.3 W - Available ATEX product: II 1 GD Ex ia IIC T6 Ga -60°C ≤ Ta ≤ 80°C Ex ia IIC T4 Ga -60°C ≤ Ta ≤ 125°C II 2 GD Ex db IIC T6* Gb Ex tb III C T85°C* Db (Tamb = -60°C to +70°C)* IP66/67 * alternative T/Class and ambients T4, T135°C (Tamb = -60°C to +120°C)	
			
		- Certification / Approvals: ATEX, IECEx, EAC TR CU, INMETRO - Certification included as standard	

DEM*10		Hydraulic symbol	Materials
<b>Electrical Differential Indicator</b> Connection: AMP Superseal series 1.5			
Settings	Ordering code		
1.2 bar ±10%	DE M 12 x x 10 P01	<b>Electrical symbol</b> 	<b>Technical data</b> - Max working pressure: 420 bar - Proof pressure: 630 bar - Burst pressure: 1260 bar - Working temperature: From -25 °C to +110 °C - Compatibility with fluids: Mineral oils, Synthetic fluids HFA, HFB, HFC according to ISO 2943 - Degree protection: IP66 according to EN 60529
2.0 bar ±10%	DE M 20 x x 10 P01		
5.0 bar ±10%	DE M 50 x x 10 P01		
7.0 bar ±10%	DE M 70 x x 10 P01		
9.5 bar ±10%	DE M 95 x x 10 P01		
		<b>Electrical data</b> - Electrical connection: AMP Superseal series 1.5 - Resistive load: 0.2 A / 115 Vdc - Switching type: Normally open contacts (NC on request) - Thermal lockout: Normally open up to 30 °C (option "F")	

DEM*20		Hydraulic symbol	Materials
<b>Electrical Differential Indicator</b> AMP Time junior			
Settings	Ordering code		
1.2 bar ±10%	DE M 12 x x 20 P01	<b>Electrical symbol</b> 	<b>Technical data</b> - Max working pressure: 420 bar - Proof pressure: 630 bar - Burst pressure: 1260 bar - Working temperature: From -25 °C to +110 °C - Compatibility with fluids: Mineral oils, Synthetic fluids HFA, HFB, HFC according to ISO 2943 - Degree protection: IP66 according to EN 60529
2.0 bar ±10%	DE M 20 x x 20 P01		
5.0 bar ±10%	DE M 50 x x 20 P01		
7.0 bar ±10%	DE M 70 x x 20 P01		
9.5 bar ±10%	DE M 95 x x 20 P01		
		<b>Electrical data</b> - Electrical connection: AMP Time junior - Resistive load: 0.2 A / 115 Vdc - Switching type: Normally open contacts (NC on request) - Thermal lockout: Normally open up to 30 °C (option "F")	

# DIFFERENTIAL INDICATORS

## Dimensions

DEM*30	
<b>Electrical Differential Indicator</b> Deutsch DT-04-2-P	
Settings	Ordering code
1.2 bar ±10%	DE M 12 x x 30 P01
2.0 bar ±10%	DE M 20 x x 30 P01
5.0 bar ±10%	DE M 50 x x 30 P01
7.0 bar ±10%	DE M 70 x x 30 P01
9.5 bar ±10%	DE M 95 x x 30 P01

A/F 28  
Max tightening torque: 65 N·m

flexible cable: 240 to "A"

**Hydraulic symbol**

**Electrical symbol**

Thermal lockout

**Materials**

- Body: Brass
- Base: Black polyamide
- Contacts: Silver
- Seal: HNBR - FPM

**Technical data**

- Max working pressure: 420 bar
- Proof pressure: 630 bar
- Burst pressure: 1260 bar
- Working temperature: From -25 °C to +110 °C
- Compatibility with fluids: Mineral oils, Synthetic fluids  
HFA, HFB, HFC according to ISO 2943
- Degree protection: IP66 according to EN 60529

**Electrical data**

- Electrical connection: Deutsch DT-04-2-P
- Resistive load: 0.2 A / 115 Vdc
- Switching type: Normally open contacts (NC on request)
- Thermal lockout: Normally open up to 30 °C (option "F")

DEM*35	
<b>Electrical Differential Indicator</b> Deutsch DT-04-3-P	
Settings	Ordering code
1.2 bar ±10%	DE M 12 x x 35 P01
2.0 bar ±10%	DE M 20 x x 35 P01
5.0 bar ±10%	DE M 50 x x 35 P01
7.0 bar ±10%	DE M 70 x x 35 P01
9.5 bar ±10%	DE M 95 x x 35 P01

A/F 28  
Max tightening torque: 65 N·m

flexible cable: 240 to "A"

**Hydraulic symbol**

**Electrical symbol**

Thermal lockout

**Materials**

- Body: Brass
- Base: Black polyamide
- Contacts: Silver
- Seal: HNBR - FPM

**Technical data**

- Max working pressure: 420 bar
- Proof pressure: 630 bar
- Burst pressure: 1260 bar
- Working temperature: From -25 °C to +110 °C
- Compatibility with fluids: Mineral oils, Synthetic fluids  
HFA, HFB, HFC according to ISO 2943
- Degree protection: IP66 according to EN 60529

**Electrical data**

- Electrical connection: Deutsch DT-04-3-P
- Resistive load: 0.2 A / 115 Vdc
- Switching type: SPDT contact
- Thermal lockout: Normally open up to 30 °C (option "F")

DES*10	
<b>Electrical Differential Indicator</b> AMP Superseal series 1.5	
Settings	Ordering code
1.2 bar ±10%	DE S 12 H A 10 P01
2.5 bar ±10%	DE S 25 H A 10 P01
4.0 bar ±10%	DE S 40 H A 10 P01

A/F 19  
Max tightening torque: 20 N·m

**Hydraulic symbol**

**Electrical symbol**

**Materials**

- Body: Brass
- Internal parts: Brass - Polyamide
- Contacts: Silver
- Seal: HNBR

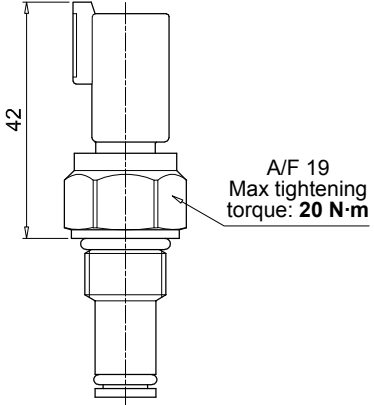
**Technical data**

- Max working pressure: 16 bar
- Proof pressure: 24 bar
- Burst pressure: 48 bar
- Working temperature: From -25 °C to +110 °C
- Compatibility with fluids: Mineral oils, Synthetic fluids  
HFA, HFB, HFC according to ISO 2943
- Degree protection: IP67 according to EN 60529

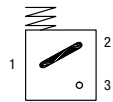
**Electrical data**

- Electrical connection: AMP Superseal series 1.5
- Resistive load: 0.2 A / 24 Vdc
- Switching type: Normally open contacts (NC on request)

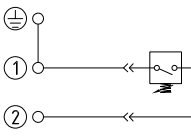
DES*30	
<b>Electrical Differential Indicator</b> Deutsch DT-04-2-P	
Settings	Ordering code
1.2 bar ±10%	DE S 12 HA 30 P01
2.5 bar ±10%	DE S 25 HA 30 P01
4.0 bar ±10%	DE S 40 HA 30 P01



**Hydraulic symbol**



**Electrical symbol**



**Materials**

- Body: Brass
- Internal parts: Brass - Polyamide
- Contacts: Silver
- Seal: HNBR

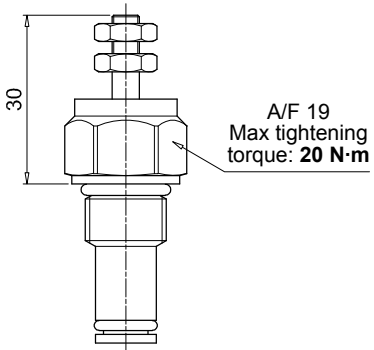
**Technical data**

- Max working pressure: 16 bar
- Proof pressure: 24 bar
- Burst pressure: 48 bar
- Working temperature: From -25 °C to +110 °C
- Compatibility with fluids: Mineral oils, Synthetic fluids  
HFA, HFB, HFC according to ISO 2943
- Degree protection: IP67 according to EN 60529

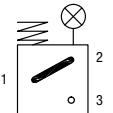
**Electrical data**

- Electrical connection: Deutsch DT-04-2-P
- Resistive load: 0.2 A / 24 Vdc
- Switching type: Normally open contacts (NC on request)

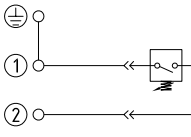
DES*80	
<b>Electrical Differential Indicator</b> Stud #10-32 UNF	
Settings	Ordering code
1.2 bar ±10%	DE S 12 HA 80 P01
2.5 bar ±10%	DE S 25 HA 80 P01
4.0 bar ±10%	DE S 40 HA 80 P01



**Hydraulic symbol**



**Electrical symbol**



**Materials**

- Body: Brass
- Internal parts: Brass - Polyamide
- Contacts: Silver
- Seal: HNBR

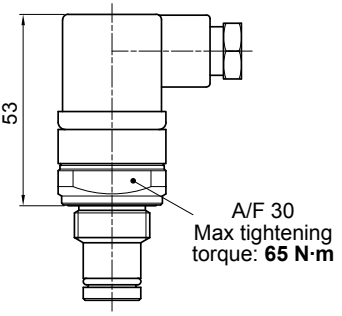
**Technical data**

- Max working pressure: 16 bar
- Proof pressure: 24 bar
- Burst pressure: 48 bar
- Working temperature: From -25 °C to +110 °C
- Compatibility with fluids: Mineral oils, Synthetic fluids  
HFA, HFB, HFC according to ISO 2943
- Degree protection: IP67 according to EN 60529

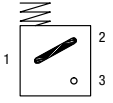
**Electrical data**

- Electrical connection: Stud #10-32 UNF
- Resistive load: 0.2 A / 24 Vdc
- Switching type: Normally open contacts (NC on request)

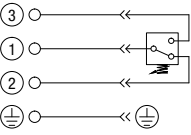
DEX*50	
<b>Electrical Differential Indicator</b> Connection: EN 175301-803	
Settings	Ordering code
1.2 bar ±10%	DE X 12 x A 50 P01
2.0 bar ±10%	DE X 20 x A 50 P01
5.0 bar ±10%	DE X 50 x A 50 P01
7.0 bar ±10%	DE X 70 x A 50 P01
9.5 bar ±10%	DE X 95 x A 50 P01



**Hydraulic symbol**



**Electrical symbol**



**Materials**

- Body: AISI 316L
- Base: Black polyamide
- Contacts: Silver
- Seal: HNBR - MFQ

**Technical data**

- Max working pressure: 420 bar
- Proof pressure: 630 bar
- Burst pressure: 1260 bar
- Working temperature: From -25 °C to +110 °C
- Compatibility with fluids: Mineral oils, Synthetic fluids  
HFA, HFB, HFC according to ISO 2943
- Degree protection: IP66 according to EN 60529  
IP69K according to ISO 20653

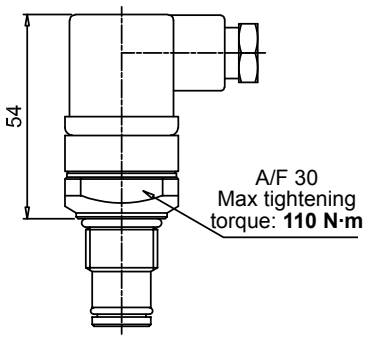
**Electrical data**

- Electrical connection: EN 175301-803
- Resistive load: 0.2 A / 115 Vdc

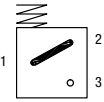
# DIFFERENTIAL INDICATORS

## Dimensions

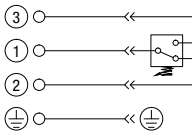
DEZ*50	
<b>Electrical Differential Indicator</b> Connection: EN 175301-803	
Settings	Ordering code
1.2 bar ±10%	DE Z 12 x A 50 P01
2.0 bar ±10%	DE Z 20 x A 50 P01
5.0 bar ±10%	DE Z 50 x A 50 P01
7.0 bar ±10%	DE Z 70 x A 50 P01
9.5 bar ±10%	DE Z 95 x A 50 P01



**Hydraulic symbol**



**Electrical symbol**



**Materials**

- Body: AISI 316L
- Base: Black polyamide
- Contacts: Silver
- Seal: HNBR - MFQ

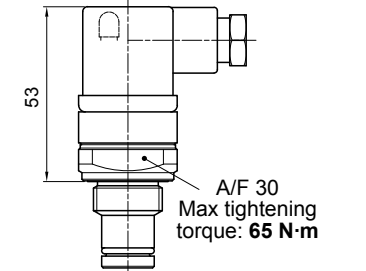
**Technical data**

- Max working pressure: 700 bar
- Proof pressure: 1050 bar
- Burst pressure: 2100 bar
- Working temperature: From -25 °C to +110 °C
- Compatibility with fluids: Mineral oils, Synthetic fluids  
HFA, HFB, HFC according to ISO 2943
- Degree protection: IP66 according to EN 60529  
IP69K according to ISO 20653

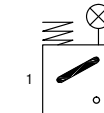
**Electrical data**

- Electrical connection: EN 175301-803
- Resistive load: 0.2 A / 115 Vdc

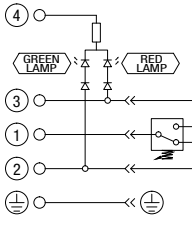
DLA*51 - DLA*52	
<b>Electrical/Visual Differential Indicator</b>	
<b>51:</b> Connection EN 175301-803, transparent base with lamps 24 Vdc	
<b>52:</b> Connection EN 175301-803, transparent base with lamps 110 Vdc	
Settings	Ordering code
1.2 bar ±10%	DL A 12 x A xx P01
2.0 bar ±10%	DL A 20 x A xx P01
5.0 bar ±10%	DL A 50 x A xx P01
7.0 bar ±10%	DL A 70 x A xx P01
9.5 bar ±10%	DL A 95 x A xx P01



**Hydraulic symbol**



**Electrical symbol**



**Materials**

- Body: Brass
- Base: Transparent polyamide
- Contacts: Silver
- Seal: HNBR - FPM

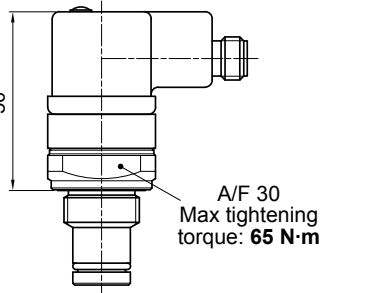
**Technical data**

- Max working pressure: 420 bar
- Proof pressure: 630 bar
- Burst pressure: 1260 bar
- Working temperature: From -25 °C to +110 °C
- Compatibility with fluids: Mineral oils, Synthetic fluids  
HFA, HFB, HFC according to ISO 2943
- Degree protection: IP66 according to EN 60529  
IP69K according to ISO 20653

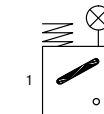
**Electrical data**

- Electrical connection: EN 175301-803
- Type: 51                      52
- Lamps: 24 Vdc              110 Vdc
- Resistive load: 1 A / 24 Vdc      1 A / 110 Vdc

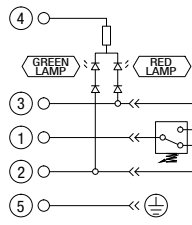
DLA*71	
<b>Electrical/Visual Differential Indicator</b> Connection IEC 61076-2-101 D (M12), black base with lamps 24 Vdc	
Settings	Ordering code
1.2 bar ±10%	DL A 12 x A 71 P01
2.0 bar ±10%	DL A 20 x A 71 P01
5.0 bar ±10%	DL A 50 x A 71 P01
7.0 bar ±10%	DL A 70 x A 71 P01
9.5 bar ±10%	DL A 95 x A 71 P01



**Hydraulic symbol**



**Electrical symbol**



**Materials**

- Body: Brass
- Base: Black polyamide
- Contacts: Silver
- Seal: HNBR - FPM

**Technical data**

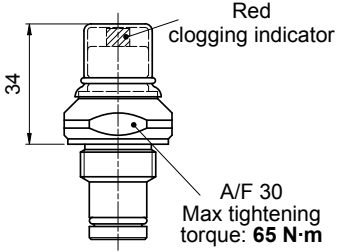
- Max working pressure: 420 bar
- Proof pressure: 630 bar
- Burst pressure: 1260 bar
- Working temperature: From -25 °C to +110 °C
- Compatibility with fluids: Mineral oils, Synthetic fluids  
HFA, HFB, HFC according to ISO 2943
- Degree protection: IP65 according to EN 60529  
IP69K according to ISO 20653

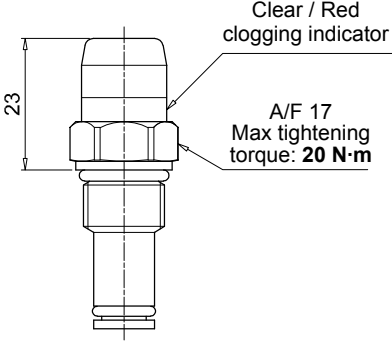
**Electrical data**

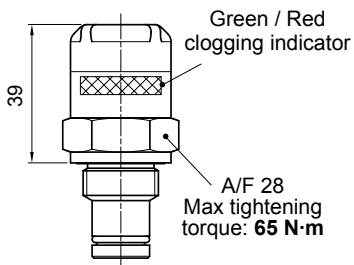
- Electrical connection: IEC 61076-2-101 D (M12)
- Lamps: 24 Vdc (black base)
- Resistive load: 0.4 A / 24 Vdc





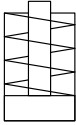
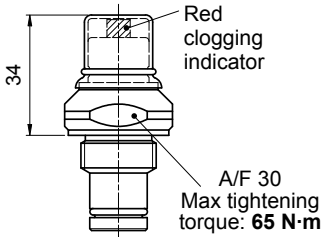
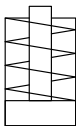
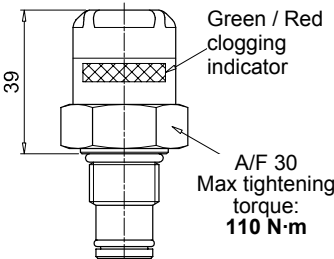
DVM		Hydraulic symbol	Materials
<b>Visual Differential Indicator</b>			
<b>Settings</b>	<b>Ordering code</b>		
1.2 bar ±10%	DV M 12 x P01	<b>Technical data</b> - Reset: Manual reset - Max working pressure: 420 bar - Proof pressure: 630 bar - Burst pressure: 1260 bar - Working temperature: From -25 °C to +110 °C - Compatibility with fluids: Mineral oils, Synthetic fluids HFA, HFB, HFC according to ISO 2943 - Degree protection: IP65 according to EN 60529	
2.0 bar ±10%	DV M 20 x P01		
5.0 bar ±10%	DV M 50 x P01		
7.0 bar ±10%	DV M 70 x P01		
9.5 bar ±10%	DV M 95 x P01		
			

DVS		Hydraulic symbol	Materials
<b>Visual Differential Indicator</b>			
<b>Settings</b>	<b>Ordering code</b>		
1.2 bar ±10%	DV S 12 H P01	<b>Technical data</b> - Reset: Automatic reset - Max working pressure: 16 bar - Proof pressure: 24 bar - Burst pressure: 48 bar - Working temperature: From -25 °C to +110 °C - Compatibility with fluids: Mineral oils, Synthetic fluids HFA, HFB, HFC according to ISO 2943 - Degree protection: IP67 according to EN 60529	
2.5 bar ±10%	DV S 25 H P01		
4.0 bar ±10%	DV S 40 H P01		
			

DVX		Hydraulic symbol	Materials
<b>Visual Differential Indicator</b>			
<b>Settings</b>	<b>Ordering code</b>		
1.2 bar ±10%	DV X 12 x P01	<b>Technical data</b> - Reset: Automatic reset - Max working pressure: 420 bar - Proof pressure: 630 bar - Burst pressure: 1260 bar - Working temperature: From -25 °C to +110 °C - Compatibility with fluids: Mineral oils, Synthetic fluids HFA, HFB, HFC according to ISO 2943 - Degree protection: IP65 according to EN 60529	
2.0 bar ±10%	DV X 20 x P01		
5.0 bar ±10%	DV X 50 x P01		
7.0 bar ±10%	DV X 70 x P01		
9.5 bar ±10%	DV X 95 x P01		
			

# DIFFERENTIAL INDICATORS

## Dimensions

<b>DVY</b>		<b>Hydraulic symbol</b> 	<b>Materials</b> - Body: AISI 316L - Internal parts: AISI 316L - Polyamide - Contacts: Silver - Seal: HNBR - MFQ  <b>Technical data</b> - Reset: Manual reset - Max working pressure: 420 bar - Proof pressure: 630 bar - Burst pressure: 1260 bar - Working temperature: From -25 °C to +110 °C - Compatibility with fluids: Mineral oils, Synthetic fluids HFA, HFB, HFC according to ISO 2943 - Degree protection: IP65 according to EN 60529
<b>Visual Differential Indicator</b>			
<b>Settings</b>	<b>Ordering code</b>		
1.2 bar ±10%	DV Y 12 x P01		
2.0 bar ±10%	DV Y 20 x P01		
5.0 bar ±10%	DV Y 50 x P01		
7.0 bar ±10%	DV Y 70 x P01		
9.5 bar ±10%	DV Y 95 x P01		
			
<b>DVZ</b>		<b>Hydraulic symbol</b> 	<b>Materials</b> - Body: AISI 316L - Internal parts: AISI 316L - Polyamide - Contacts: Silver - Seal: HNBR - MFQ  <b>Technical data</b> - Reset: Automatic reset - Max working pressure: 700 bar - Proof pressure: 1050 bar - Burst pressure: 2100 bar - Working temperature: From -25 °C to +110 °C - Compatibility with fluids: Mineral oils, Synthetic fluids HFA, HFB, HFC according to ISO 2943 - Degree protection: IP65 according to EN 60529
<b>Visual Differential Indicator</b>			
<b>Settings</b>	<b>Ordering code</b>		
1.2 bar ±10%	DV Z 12 x P01		
2.0 bar ±10%	DV Z 20 x P01		
5.0 bar ±10%	DV Z 50 x P01		
7.0 bar ±10%	DV Z 70 x P01		
9.5 bar ±10%	DV Z 95 x P01		
			





# PLUGS

## Dimensions

T2	
<b>Differential Indicator plug</b>	
Seal	Ordering code
HNBR	T2 H
FPM	T2 V

**Materials**

- Body: Phosphatized steel
- Seal: HNBR / FPM

A/F 30  
Max tightening torque: 50 N·m

T4	
<b>Differential Indicator plug</b>	
Seal	Ordering code
NBR	T4 A

**Materials**

- Body: Anodized aluminium
- Seal: NBR

A/F 19  
Max tightening torque: 20 N·m

X2	
<b>Differential Indicator plug 420 bar</b>	
Seal	Ordering code
HNBR	X2 H
FPM	X2 F
MFQ	X2 Q

**Materials**

- Body: AISI 316L
- Seal: HNBR / FPM / MFQ

A/F 30  
Max tightening torque: 50 N·m

X3	
<b>Differential Indicator plug 700 bar (only for FZH)</b>	
Seal	Ordering code
HNBR	X3 H
FPM	X3 F
MFQ	X3 Q

**Materials**

- Body: AISI 316L
- Seal: HNBR / FPM / MFQ

A/F 30  
Max tightening torque: 110 N·m

All data, details and words contained in this publication are provided for use by technically qualified personnel at their discretion, without warranty of any kind.

MP Filtri reserves the right to make modifications to the models and versions of the described products at any time for both technical and/or commercial reasons.

For updated information please visit our website: [www.mpfiltri.com](http://www.mpfiltri.com)

The colors and the pictures of the products are purely indicative.

Any reproduction, partial or total, of this document is strictly forbidden.

All rights are strictly reserved

# WORLDWIDE NETWORK

CANADA ♦ CHINA ♦ FRANCE ♦ GERMANY ♦ INDIA ♦ SINGAPORE  
UNITED ARAB EMIRATES ♦ UNITED KINGDOM ♦ USA



PASSION  PERFORM

in   



[mpfiltri.com](http://mpfiltri.com)

MP Filtri reserves the right to make modifications to the models and versions of the described products at any time for both technical and/or commercial reasons. For updated information please visit our website: [www.mpfiltri.com](http://www.mpfiltri.com). The colors and the pictures of the products are purely indicative. Any reproduction, partial or total, of this document is strictly forbidden. All rights are strictly reserved.

MF001000017  
EN - 2024.04