



THE X CONCEPT FOR OUR FILTERS

Protect the performance of your system with MYclean.
Quality and efficiency are fundamental for MP Filtri:
this exclusive new filter element possesses polygon shape geometry and specific seal
that ensures only original spare parts can be used - ensuring correct operation and
higher system reliability.

RFEX series

with MYCLEAN FEX Filter Element



- **Protects the machine from improper use of non-original products.**
- **Safety of constant quality protection & reliability**

With exclusive filter element you are sure that only MP Filtri filter elements can be used, ensuring the best cleaning level of the oil due to the use of originals filter elements.



The products identified as RFEX are protected by:

- Italian Patent n° 102014902261205
- Canadian Patent n° 2,937,258
- European Patent n° 16181725.9
- US Patent n° 15/224,337

RFEX series

Maximum working pressure up to 1.6 MPa (16 bar) - Flow rate up to 260 l/min



Description

Technical data

Return filter

Maximum working pressure up to 1.6 MPa (16 bar)
Flow rate up to 260 l/min

RFEX is a range of return filters for protection of the reservoir against the system contamination. They are mounted in line to limit aeration or foam generation into the reservoir.

Available features:

- Female threaded connections up to 1 1/4" and flanged connections up to 1 5/8", for a maximum flow rate of 260 l/min
- Fine filtration rating, to get a good cleanliness level into the reservoir
- Bypass valve, to relieve excessive pressure drop across the filter media
- Visual, electrical, axial and radial pressure gauges
- MYclean interface connection for the filter element, to protect the product against non-original spare parts
- External protective wrap, to optimize the flow through the element and to save the element efficiency against non-proper handling

Common applications:

- Light Industrial equipment
- Mobile application

Filter housing materials

- Head: Aluminium
- Bypass valve: Polyamide - Steel
- Bowl: Polyamide

Bypass valve

Opening pressure 175 kPa (1.75 bar) \pm 10%

Δp element type

- Microfibre filter elements - series N: 8 bar
- Fluid flow through the filter element from OUT to IN

Seals

Standard NBR series A

Temperature

From -25 °C to +110 °C

Note

RFEX filters are provided for vertical mounting

Weights [kg] and volumes [dm³]

Filter series	Weights [kg]	Volumes [dm ³]
RFEX 060	1.00	0.60
RFEX 080	1.15	0.80
RFEX 110	1.90	1.60
RFEX 160	2.10	2.00

Hydraulic symbols

Filter series	Style S	Style B
RFEX 060	●	●
RFEX 080	●	●
RFEX 110	●	●
RFEX 160	●	●

Filter element design - N Series

Filter series	A10	A16	A25	M60	M90	P10	P25
RFX 060	52	53	55	71	72	54	59
RFX 080	59	59	62	73	74	65	68

Connections of filter under test G 3/4"

Filter series	A10	A16	A25	M60	M90	P10	P25
RFX 060	60	61	64	87	89	62	77
RFX 080	69	70	75	91	92	79	93

Connections of filter under test G 1"

Filter series	A10	A16	A25	M60	M90	P10	P25
RFX 110	141	153	172	250	252	186	196
RFX 160	166	168	191	255	256	207	215

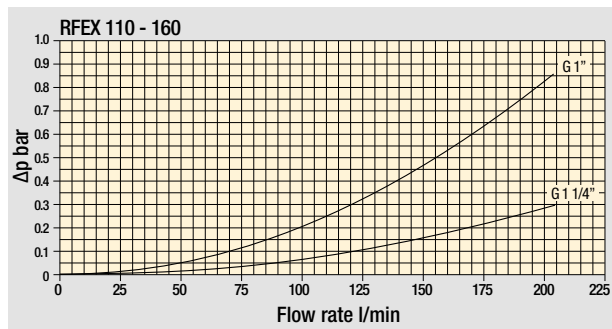
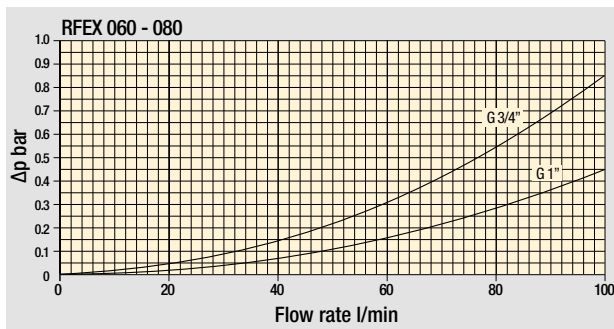
Connections of filter under test G 1 1/4"

Maximum flow rate for a complete return filter with a pressure drop $\Delta p = 0.5$ bar.

The reference fluid has a kinematic viscosity of 30 mm²/s (cSt) and a density of 0.86 kg/dm³.

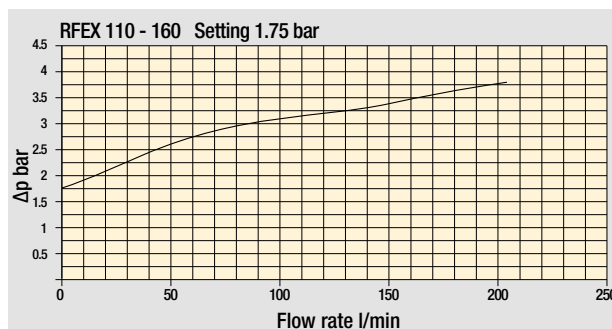
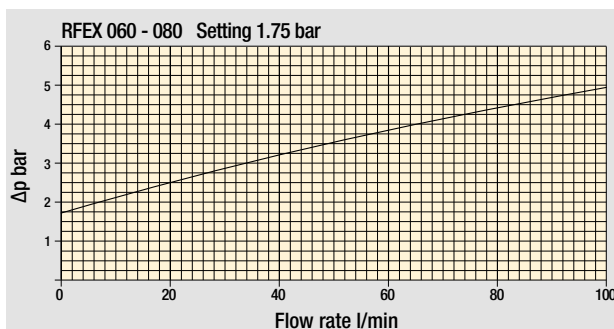
For different pressure drop or fluid viscosity we recommend to use our selection software available on www.mpfiltri.com.

Please, contact our Sales Department for further additional information.



Pressure drop

Filter housings
 Δp pressure drop



Bypass valve
pressure drop

The curves are plotted using mineral oil with density of 0.86 kg/dm³ in compliance with ISO 3968.

Δp varies proportionally with density.


RFEX RFEX060 - RFEX080

Designation & Ordering code

COMPLETE FILTER

Series and size Configuration example: **RFEX060** **B** **A** **A** **6** **A10** **N** **P01**

RFEX060 Filter featuring  Filter Element

RFEX080 Filter featuring  Filter Element

Bypass valve

S Without bypass

B 1.75 bar

Seals and treatments

A NBR

Connections

A G 3/4"

B G 1"

C 3/4" NPT

D 1" NPT

E SAE 12 - 1 1/16" - 12 UN

F SAE 16 - 1 5/16" - 12 UN

Connection for clogging indicator

6 With plugged connections

Filtration rating

A10 Inorganic microfiber 10 µm **P10** Resin impregnated paper 10 µm

A16 Inorganic microfiber 16 µm **P25** Resin impregnated paper 25 µm

A25 Inorganic microfiber 25 µm

M60 Wire mesh 60 µm

M90 Wire mesh 90 µm


Element Δp
N 8 bar


Execution
P01 MP Filtri standard
Pxx Customized

FILTER ELEMENT

Element series and size

Configuration example: **FEX060** **A10** **A** **N** **P01**

FEX060 Filter Element with  feature

FEX080 Filter Element with  feature

Filtration rating

A10 Inorganic microfiber 10 µm **P10** Resin impregnated paper 10 µm

A16 Inorganic microfiber 16 µm **P25** Resin impregnated paper 25 µm

A25 Inorganic microfiber 25 µm

M60 Wire mesh 60 µm

M90 Wire mesh 90 µm

Seals and treatments

A NBR

Element Δp
N 8 bar

Execution
P01 MP Filtri standard
Pxx Customized

CLOGGING INDICATORS

See page 680-681

BEA Electrical pressure indicator

BEM Electrical pressure indicator

BLA Electrical / visual pressure indicator

BVA Axial pressure gauge

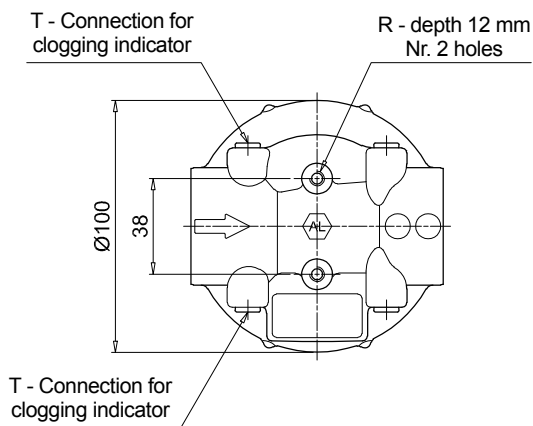
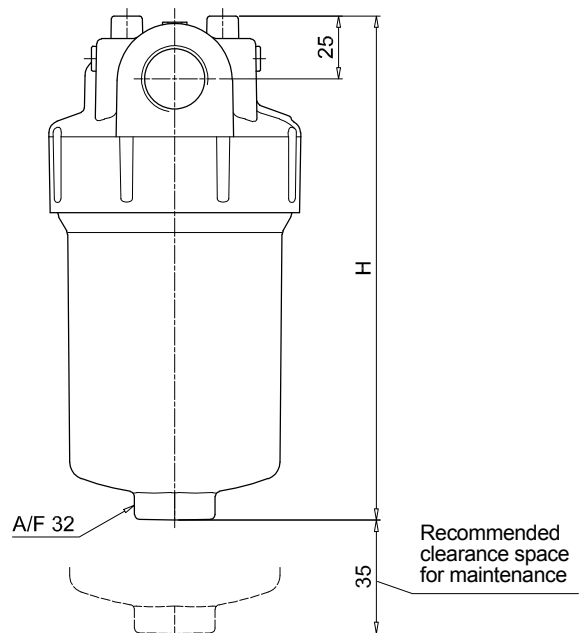
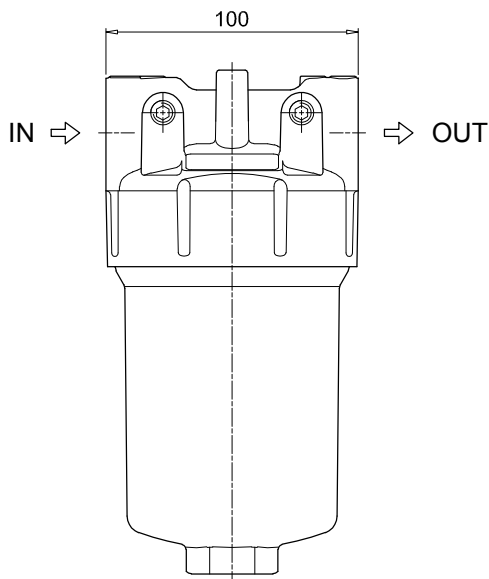
BVR Radial pressure gauge

BVP Visual pressure indicator with automatic reset

BVQ Visual pressure indicator with manual reset

Filter size	H [mm]	
060	202	
080	265	



Connections	T	R
A	G 1/8"	M6
B	G 1/8"	M6
C	1/8" NPT	1/4" UNC
D	1/8" NPT	1/4" UNC
E	1/8" NPT	1/4" UNC
F	1/8" NPT	1/4" UNC





RFEX RFEX110 - RFEX160

Designation & Ordering code

COMPLETE FILTER

Series and size		Configuration example: RFEX110 B A A 6 A10 N P01							
RFEX110	Filter featuring  Filter Element								
RFEX160	Filter featuring  Filter Element								
Bypass valve									
S	Without bypass								
B	1.75 bar								
Seals and treatments									
A	NBR								
Connections									
A	G 1"								
B	G 1 1/4"								
C	1" NPT								
D	1 1/4" NPT								
E	SAE 16 - 1 5/16" - 12 UN								
F	SAE 20 - 1 5/8" - 12 UN								
Connection for clogging indicator									
6	With plugged connections								
Filtration rating									
A10	Inorganic microfiber 10 µm	P10	Resin impregnated paper 10 µm						
A16	Inorganic microfiber 16 µm	P25	Resin impregnated paper 25 µm						
A25	Inorganic microfiber 25 µm								
M60	Wire mesh 60 µm								
M90	Wire mesh 90 µm								
		Element Δp		Execution					
		N 8 bar		P01 MP Filtri standard					
				Pxx Customized					

FILTER ELEMENT

Element series and size		Configuration example: FEX110 A10 A N P01					
FEX110	Filter Element with  feature						
FEX160	Filter Element with  feature						
Filtration rating							
A10	Inorganic microfiber 10 µm	P10	Resin impregnated paper 10 µm				
A16	Inorganic microfiber 16 µm	P25	Resin impregnated paper 25 µm				
A25	Inorganic microfiber 25 µm						
M60	Wire mesh 60 µm						
M90	Wire mesh 90 µm						
Seals and treatments							
A	NBR						
		Element Δp		Execution			
		N 8 bar		P01 MP Filtri standard			
				Pxx Customized			

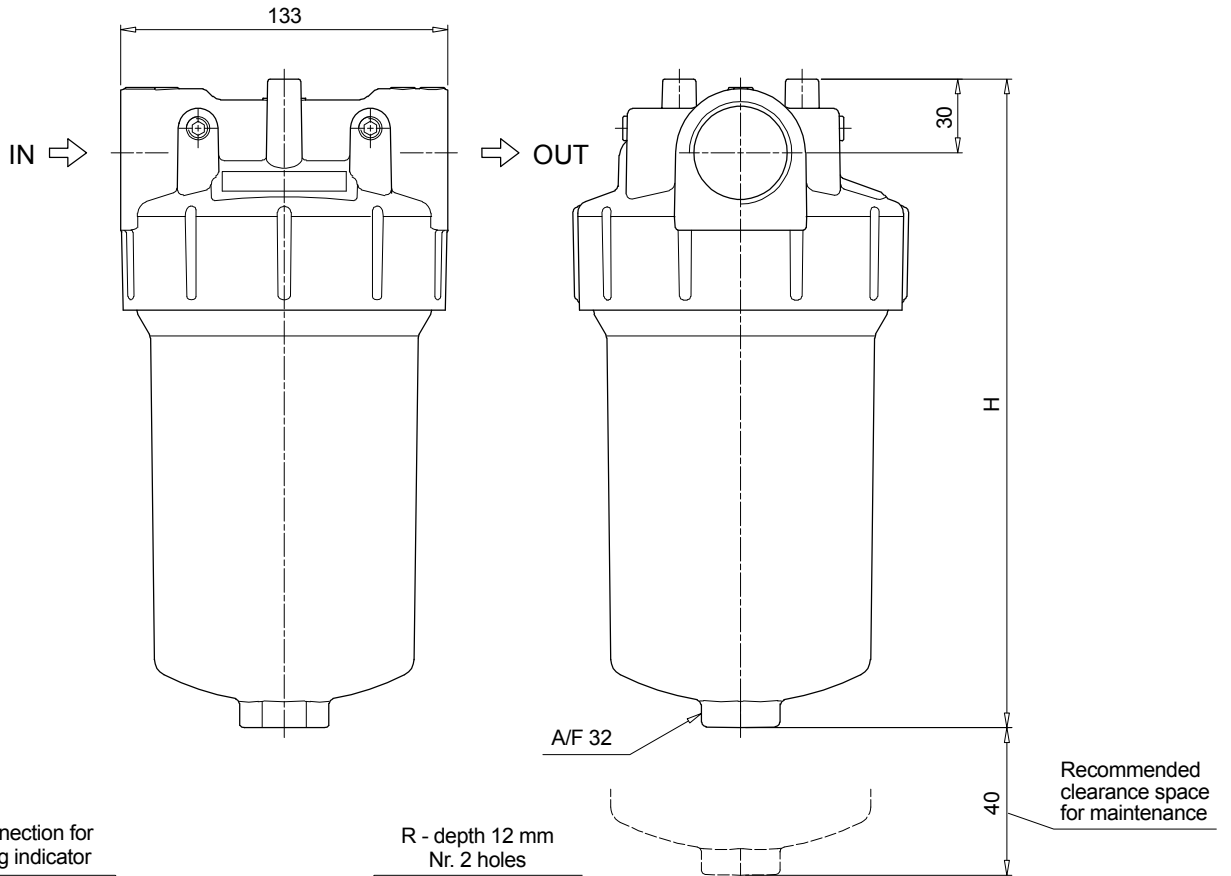
CLOGGING INDICATORS

See page 680-681

BEA	Electrical pressure indicator	BVA	Axial pressure gauge
BEM	Electrical pressure indicator	BVR	Radial pressure gauge
BLA	Electrical / visual pressure indicator	BVP	Visual pressure indicator with automatic reset
		BVQ	Visual pressure indicator with manual reset

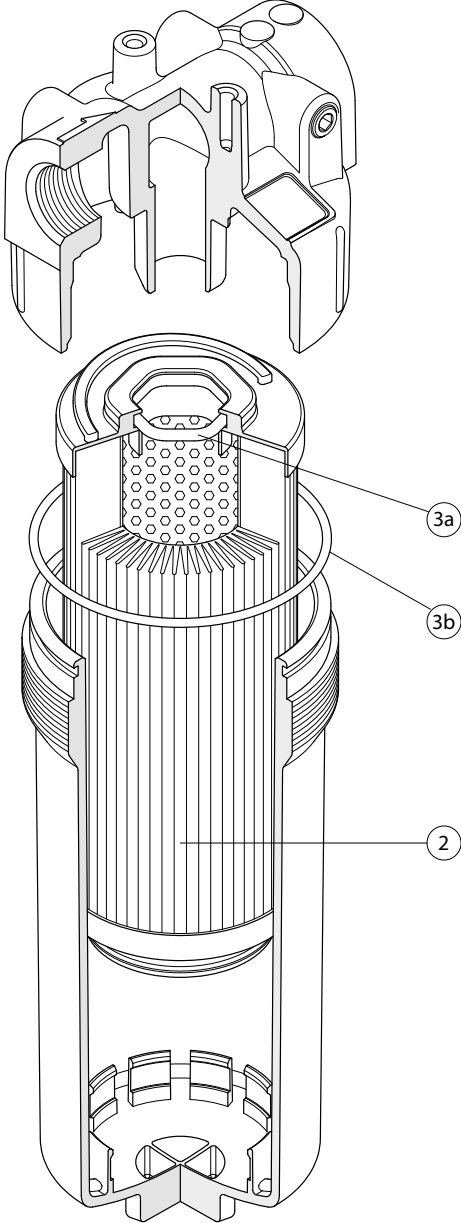
Filter size	H [mm]	
110	266	
160	315	

Connections	T	R
A	G 1/8"	M8
B	G 1/8"	M8
C	1/8" NPT	5/16" UNC
D	1/8" NPT	5/16" UNC
E	1/8" NPT	5/16" UNC
F	1/8" NPT	5/16" UNC



RFEX SPARE PARTS

Order number for spare parts



Item:	Q.ty: 1 pc.	Q.ty: 1 pc.
	2	3 (3a ÷ 3b)
Filter series	Filter element	Seal Kit code number NBR
RFEX 060-080	See order table	02050771
RFEX 110-160		02050772

Accessories

POLYAMIDE EXTENSION TUBE

H1 - Total length immersed in the tank

Configuration example: **TE** **40** **A** **250**

Series	Size	Material	Length	H [mm]
TE			200	200
			250	250
			300	300
			350	350
			400	400
			450	450
			500	500

Filter series		Filter size		Filter length	Tube length										
					TE25	TE32	TE40	200	250	300	350	400	450	500	
MPF - MPFX		30		1	•	-	-	266	316	366	416	466	516	566	
MPF	100	104	110	1	-	•	-	275	325	375	425	475	525	575	
				2	-	-	-	322	372	422	472	522	572	622	
				3	-	-	•	400	450	500	550	600	650	700	
				4	-	-	-	502	552	602	652	702	752	802	
MPFX	100	104	110	1	-	-	•	277	327	377	427	477	527	577	
				2	-	-	•	322	372	422	472	522	572	622	
				3	-	-	•	400	450	500	550	600	650	700	
				4	-	-	-	502	552	602	652	702	752	802	
MPF MPFX	181	182	184	1	-	-	•	410	460	510	560	610	660	710	
				2	-	-	•	623	673	723	773	823	873	923	
MPT MPTX	025		027		1	•	-	-	278	328	378	428	478	528	578
					2	•	-	-	342	392	442	492	542	592	642
					3	-	-	-	380	430	480	530	580	630	680
MPT	110	114	116	120	1	-	•	-	273	323	373	423	473	523	573
					2	-	-	•	320	370	420	470	520	570	620
					3	-	-	-	396	446	496	546	596	646	696
					4	-	-	•	498	548	598	648	698	748	798
MPTX	110	114	116	120	1	-	-	•	273	323	373	423	473	523	573
					2	-	-	•	318	368	418	468	518	568	618
					3	-	-	-	396	446	496	546	596	646	696
					4	-	-	-	498	548	598	648	698	748	798

STEEL EXTENSION TUBE

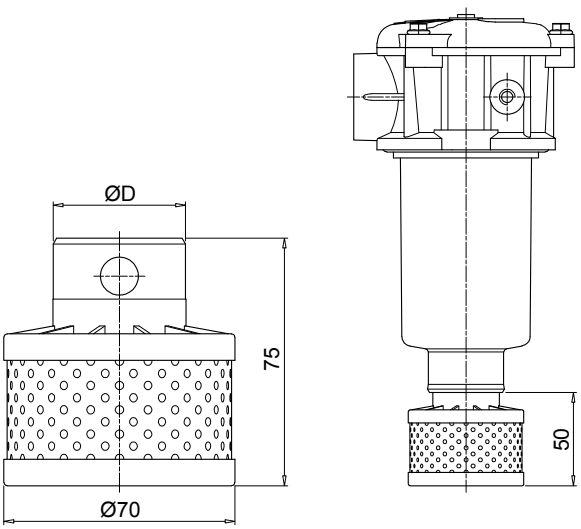
H1 - Total length immersed in the tank

Configuration example: **MPF191** **2** **A** **F1** **A10** **H** **B** **S60**

Series	Size	Material	Length	H1 [mm]
S30			300	300
S35			350	350
S40			400	400
S45			450	450
S50			500	500
S60			600	600
S70			700	700
S80			800	800
S90			900	900

Filter series		Filter size		Filter length	Ø D [mm]		
					52	65	
MPF	400	410	450	451	2	•	-
					1	•	-
					2	-	•
					3	-	•
					1	-	•

DIFFUSER WITH FAST LOCK CONNECTION



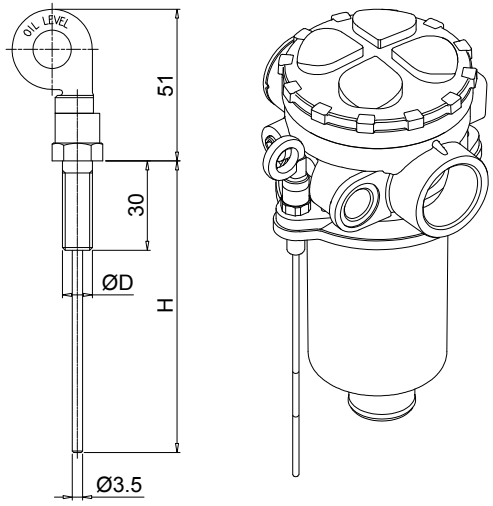
Configuration example: **DFS 32 A 075**

Series		DFS
Size		32
Size	ø D [mm]	32
40	40	

Version		A	Standard
Length		075	Standard

COMPATIBILITY TABLE							
Filter series	Filter size			Filter Length	DFS32	DFS40	
MPF	100	104	110	1	•	-	
				2	-	-	
				3	-	•	
				4	-	-	
MPFX	100	104	110	1	-	•	
				2	-	•	
				3	-	-	
				4	-	-	
MPT	110	114	116	120	1	•	-
					2	-	-
					3	-	•
					4	-	-
MPTX	110	114	116	120	1	-	•
					2	-	•
					3	-	-
					4	-	-

DIPSTICK



Configuration example: **DPT 20 M10 A P01**

Series		DPT
Length	H [mm]	20
15	134	
20	184	
25	234	
30	284	
35	334	

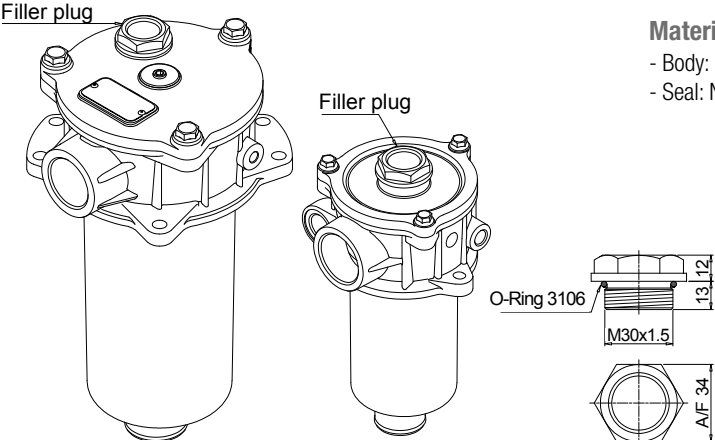
Working temperature: from -25 °C to +110 °C

Fastening		M8 Fastening with screws ø D = M8
Fastening		M10 Fastening with screws ø D = M10

Seals		A NBR
Seals		V FPM

Execution		P01 MP Filtri standard
Execution		Pxx Customized

FILLER PLUG



Materials

- Body: Polyamide
- Seal: NBR

Technical data

Tightening torque: 15 N·m

O-Ring 3106

M30x1.5

13 12

A/F 34

For any further information, please, contact our commercial dept.