

# FTA -FTR series

Oil tank fixing flange



# FTA - FTR GENERAL INFORMATION

## Technical data

### Accessories

#### Oil tank fixing flange

FT flanges make it possible to fix suction and return lines on the reservoir cover.

Fitting a flexible insert allows separation of pipes.

Both rigid pipes and flexible hoses can be separated from the reservoir walls, absorbing vibration and reducing plant noise emissions.

#### Operating temperature

From -25 °C to + 100 °C

### Materials

- Flange: Galvanized steel
- Flange seal: Inorganic fibre
- Tube seal: NBR
- Screw: Galvanized steel

#### Weight FTA

FTA 1215	0.590 kg
FTA 1620	0.570 kg
FTA 2225	0.550 kg
FTA 2630	0.530 kg
FTA 3235	0.500 kg
FTA 3842	0.520 kg
FTA 4850	0.920 kg
FTA 6061	0.900 kg
FTA 7577	0.860 kg
FTA 8789	0.830 kg

#### Weight FTR

FTR 0610	0.450 kg
FTR 1215	0.430 kg
FTR 1620	0.400 kg
FTR 2225	0.100 kg
FTR 2630	0.103 kg
FTR 3235	0.980 kg
FTR 3842	0.950 kg
FTR 4850	0.900 kg
FTR 6061	0.850 kg

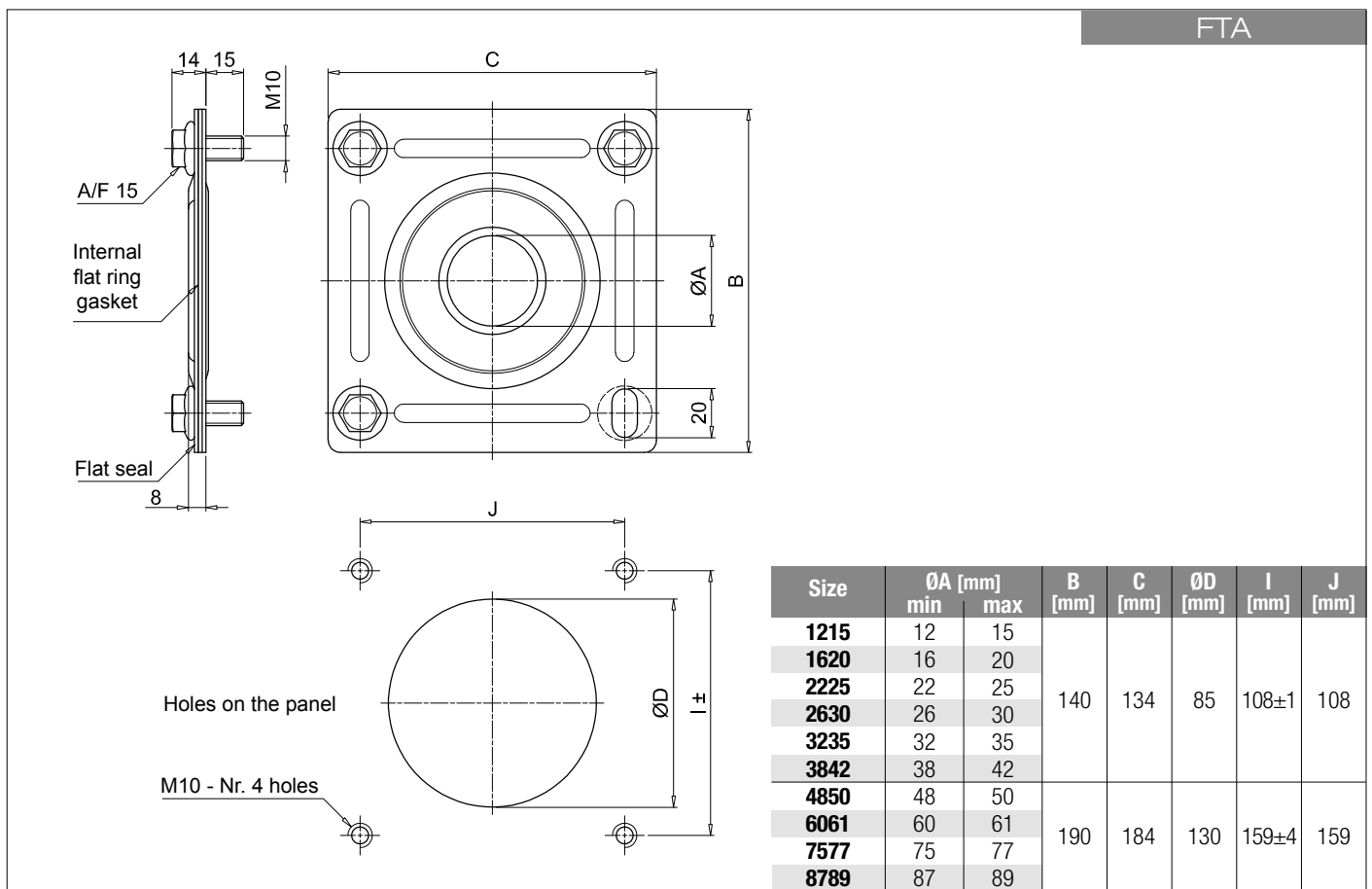


## Designation & Ordering code

### COMPLETE OIL TANK FIXING FLANGE

Series	Configuration example :					
<b>FTA</b>	<b>FTR</b>	<b>FTA</b>	<b>2630</b>	<b>G</b>	<b>A</b>	<b>P01</b>
Size	FTA	FTR				
<b>0610</b> Pipe Ø06 ÷ 10 mm		•				
<b>1215</b> Pipe Ø12 ÷ 15 mm	•	•				
<b>1620</b> Pipe Ø16 ÷ 20 mm	•	•				
<b>2225</b> Pipe Ø22 ÷ 25 mm	•	•				
<b>2630</b> Pipe Ø26 ÷ 30 mm	•	•				
<b>3235</b> Pipe Ø32 ÷ 35 mm	•	•				
<b>3842</b> Pipe Ø38 ÷ 42 mm	•	•				
<b>4850</b> Pipe Ø48 ÷ 50 mm	•	•				
<b>6061</b> Pipe Ø60 ÷ 61 mm	•	•				
<b>7577</b> Pipe Ø75 ÷ 77 mm	•					
<b>8789</b> Pipe Ø87 ÷ 89 mm	•					
Flange seals	FTA	FTR				
<b>G</b> Inorganic fiber	•					
<b>0</b> Without seal		•				
Pipe seals						
<b>A</b> NBR						
Execution						
<b>P01</b> MP Filtri standard						
<b>Pxx</b> Customized						

### FTA



### FTR

