

LEN - LEG - LET - LEM - LEU series

Electrical oil level indicators



Technical data

Electrical oil level indicators

LEN is a range of electrical fluid level indicators for monitoring of the fluid level into the tank.

They are directly fitted on the tank.

The float moves through the rod while the fluid level changes.

A magnet, fitted into the float, turns a reed sensor fixed into the rod.

Available features:

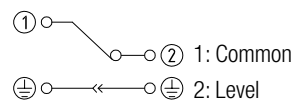
- G 1" male threaded or flanged connections
- Adjustable size on request, to meet every size of tank
- 1 or 2 floats, to monitor the minimum level, the maximum level or both of them.

Common applications:

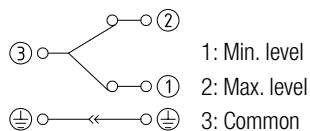
- Hydraulic systems
- Mobile machines
- Industrial equipment

Electrical symbol:

LEN 1 Float



LEN 2 Floats



Note: to invert the contact status from NC to NO and vice versa, simply invert the float.

Materials

- Flange/Threaded body: Aluminium
- Tube: Brass, AISI 304 (on request)
- Float: Nylon foam, AISI 316 (on request)
- O-Ring: NBR
- Circlip: Phosphor bronze
- Contact: N.C. reed, N.O. (on request)

Electrical data

- Protection rating: IP65
- Max switching capacity: 80 W
- Max switching current: 1 A
- Max switching voltage: 250 Vac
- Fluid specific gravity: > 0.75

Temperature

From -15 °C to + 80 °C

Weight

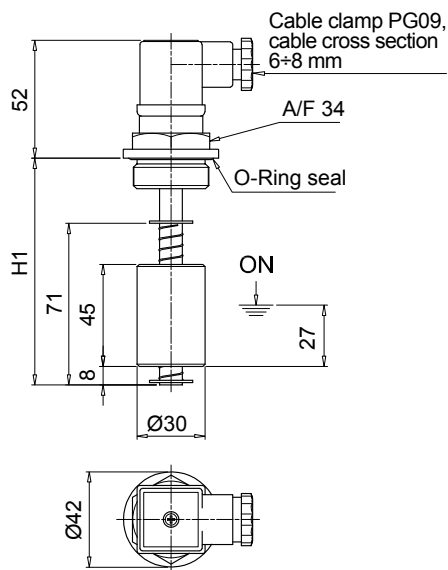
LEN 1 float 0.185 kg
LEN 2 floats 0.230 kg



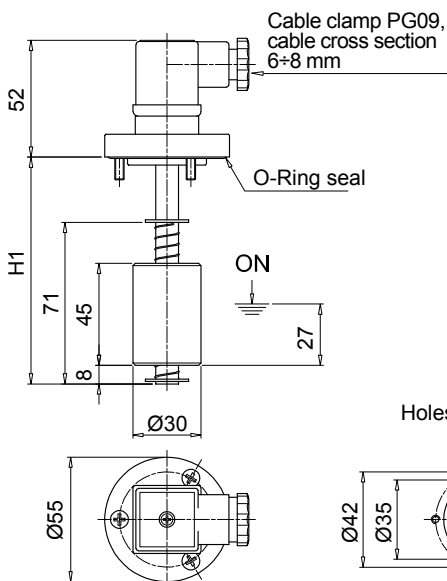
Designation & Ordering code

LEN										
Series	Configuration example : LEN A 350 2 A 1 A G S P01									
LEN										
Tube material	A Brass									
Length	150 200 250 350 400 500									
	Length									
Number of floats	150	200	250	350	400	500				
1 Nr. 1 float	•	•	•	•	•	•				
2 Nr. 2 floats		•	•	•	•	•				
Float material	A Nylon foam									
Electrical switch	1 N.C. (Normally Closed)									
Seals	A NBR									
Connections to the tank	G Thread G 1" F Nr. 3 holes flange									
Electrical connection	S DIN 43650 connector									
	Execution									
	P01 MP Filtri standard									
	Pxx Customized									

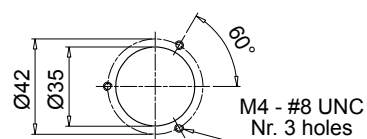
Connection "G"



Connection "F"



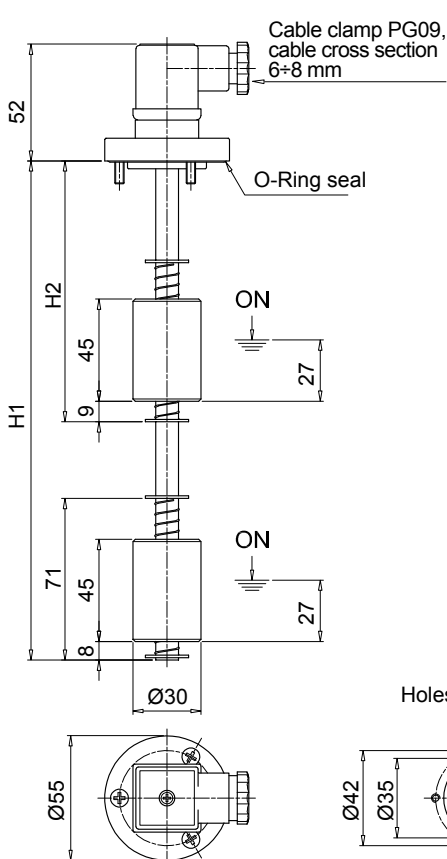
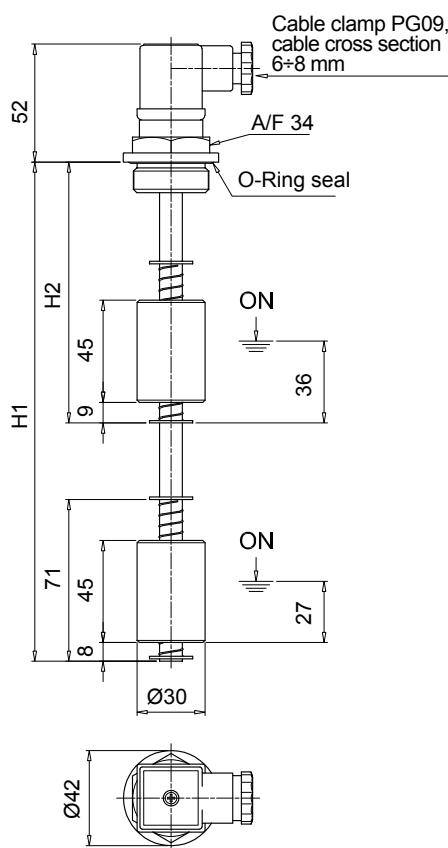
Holes on the tank



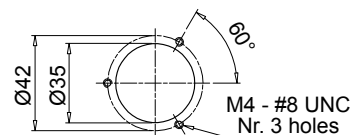
LEN

Nr. 1 float

Length	H1 [mm]
150	150
200	200
250	250
350	350
400	400
500	500



Holes on the tank



LEN

Nr. 2 floats

Length	H1 [mm]	H2 [mm]
200	200	95
250	250	105
350	350	115
400	400	115
500	500	125

Optional

DIN 43650 CONNECTOR

Materials

- Flange: aluminum
- Rod: brass
- Float: nylon foam
- Seals: A= NBR - V= FPM

Temperature

From -15 °C to +80 °C

For temperatures outside this range, contact MP Filtri Technical and Sales Department

Technical data

Electrical oil level indicators

LEG is a range of electrical fluid level indicators for monitoring of the fluid level into the tank.

They are directly fitted on the tank side.

The float moves through the rod while the fluid level changes.

A magnet, fitted into the float, turns a reed sensor fixed into the rod.

Available features:

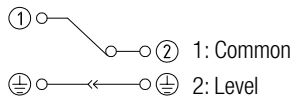
- Flanged connections
- Adjustable size on request, to meet every size of tank
- 1 float, to monitor the minimum level or the maximum level.

Common applications:

- Hydraulic systems
- Mobile machines
- Industrial equipment

Electrical symbol:

LEG 1 Float



Note: to invert the contact status from NC to NO and vice versa, simply invert the float.

Materials

- Flange: Aluminium
- Tube: Brass
- Float: Nylon foam
- O-Ring: NBR
- Circlip: Phosphor bronze
- Contact: N.C. reed, N.O. (on request)

Electrical data

- Protection rating: IP65
- Max switching capacity: 80 W
- Max switching current: 1 A
- Max switching voltage: 250 Vac
- Fluid specific gravity: > 0.75

The electrical properties indicated are referred to resistive loads; for capacitive and inductive loads and incandescent lamps, use protection circuits.

Temperature

From -15 °C to + 80 °C

Weight

LEG A 102 0.19 kg
 LEG A 200 0.22 kg

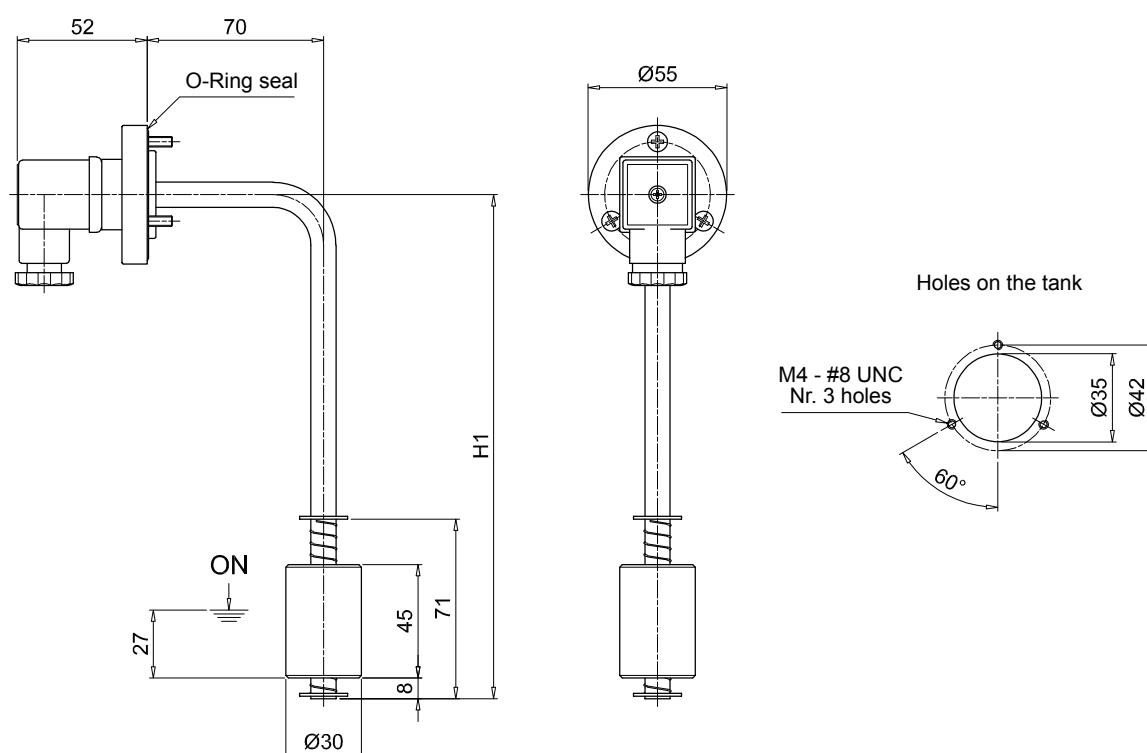


Designation & Ordering code

LEG

Series	Configuration example :	LEG	A	200	1	A	1	A	F	S	P01
LEG											
Tube material			A								
A Brass											
Length				200							
102 200 											
Number of floats					1						
1 Nr. 1 float											
Float material						A					
A Nylon foam											
Electrical switch							1				
1 N.C. (Normally Closed)											
Seals								A			
A NBR											
Connection to the tank									F		
F Nr. 3 holes flange											
Electrical connection										S	
S DIN 43650 connector											
											Execution
											P01 MP Filtri standard
											Pxx Customized

LEG	
Size	H1 [mm]
LEG 102	103
LEG 200	200



Optional

DIN 43650 CONNECTOR

Materials

- Flange: aluminum
- Rod: brass
- Float: nylon foam
- Seals: A= NBR - V= FPM

Temperature

From -15 °C to +80 °C

For temperatures outside this range, contact
MP Filtri Technical and Sales Department

Note: for installation onto OB Cleaning covers see page 147

Technical data

Electrical oil level indicators

LET is a range of electrical fluid level indicators for monitoring of the fluid level into the tank. They are directly fitted on the tank.

The float moves through the rod while the fluid level changes.

A magnet, fitted into the float, turns a reed sensor fixed into the rod.

The integrated thermostat allows to get a remote monitoring of the temperature.

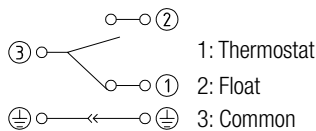
Available features:

- G 1" male threaded or flanged connections
- Adjustable size on request, to meet every size of tank
- 1 float, to monitor the minimum level or the maximum level.

Common applications:

- Hydraulic systems
- Mobile machines
- Industrial equipment

Electrical symbol:



Note: to invert the contact status from NC to NO and vice versa, simply invert the float.

Materials

- Flange/Threaded body: Aluminium
- Tube: Brass, AISI 304 (on request)
- Float: Nylon foam, AISI 316 (on request)
- O-Ring: NBR
- Circlip: Phosphor bronze
- Contact: N.C. reed, N.O. (on request)

Electrical data

- Protection rating: IP65
- Max switching capacity: 80 W
- Max switching current: 1 A
- Max switching voltage: 250 Vac
- Fluid specific gravity: > 0.75

Temperature

From -15 °C to + 80 °C

Weight

LET A 200	0.20 kg
LET A 300	0.23 kg
LET A 400	0.28 kg



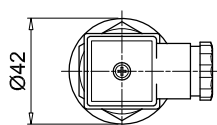
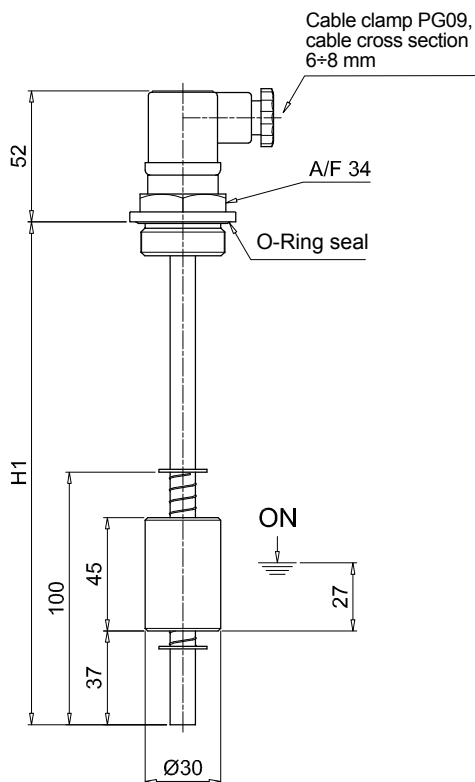
Designation & Ordering code

LET

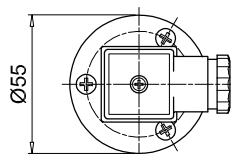
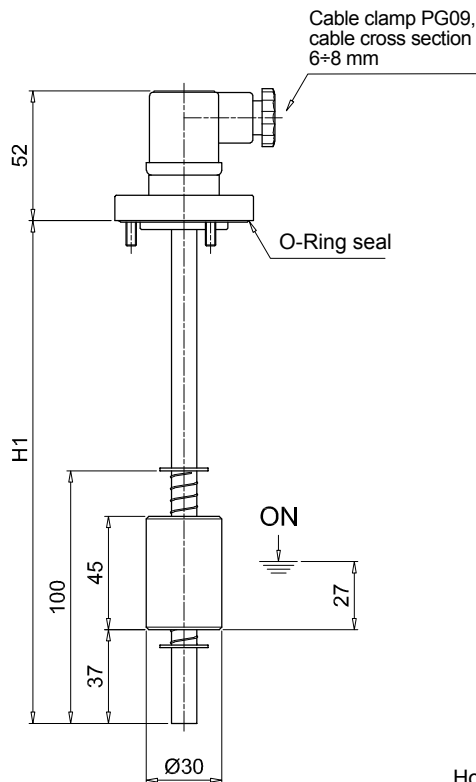
Series	Configuration example :	LET	A	300	1	A	1	A	F	S	50	P01
LET												
Tube material			A									
A Brass												
Length				300								
200 300 400												
Number of floats					1							
1 Nr. 1 float												
Float material						A						
A Nylon foam												
Electrical switch							1					
1 N.C. (Normally Closed)												
Seals								A				
A NBR												
Connections to the tank									F			
G Thread G 1"												
F Nr. 3 holes flange												
Electrical connection										S		
S DIN 43650 connector												
											Thermostat setting	
											50 50°C N.O. (Normally Open)	
												Execution
												P01 MP Filtri standard
												Pxx Customized

LET	
Length	H1 [mm]
200	200
300	300
400	400

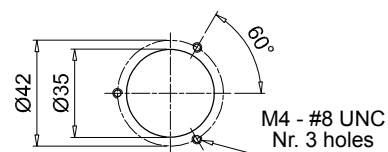
Connection "G"



Connection "F"



Holes on the tank



Optional

DIN 43650 CONNECTOR

Materials

- Flange: aluminum
- Rod: brass
- Float: nylon foam
- Seals: A= NBR - V= FPM

Temperature

From -15 °C to +80 °C

For temperatures outside this range, contact
MP Filtri Technical and Sales Department

Technical data

Electrical oil level indicators

LEM is a range of electrical fluid level indicators for monitoring of the fluid level into the tank. They are directly fitted on the tank. The float moves through the rod while the fluid level changes. A magnet, fitted into the float, turns a reed sensor fixed into the rod. The setting point is adjustable on site, with few easy actions.

Available features:

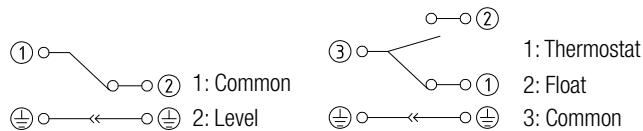
- Flanged connections
- Adjustable size on request, to meet every size of tank
- 1 float, to monitor the minimum level or the maximum level
- Integrated thermostat, to get a remote monitoring of the temperature.

Common applications:

- Hydraulic systems
- Mobile machines
- Industrial equipment

Electrical symbol:

LEM 1 Float



Note: to invert the contact status from NC to NO and vice versa, simply invert the float.

Materials

- Flange/Threaded body: Aluminium
- Tube: Brass
- Float: Nylon foam
- O-Ring: NBR
- Circlip: Phosphor bronze
- Float contact: N.C. reed, N.O. (on request)
- Thermostat contact: N.O., N.C. (on request)

Electrical data

- Protection rating: IP65
- Max switching capacity: 80 W
- Max switching current: 1 A
- Max switching voltage: 250 Vac
- Fluid specific gravity: > 0.75

Temperature

From -15 °C to + 80 °C

Weight

LEM 0.406 kg

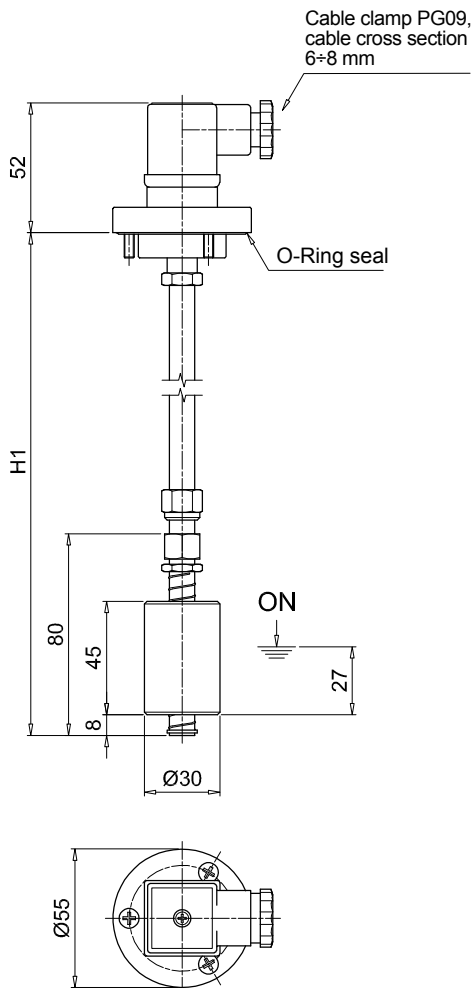


Designation & Ordering code

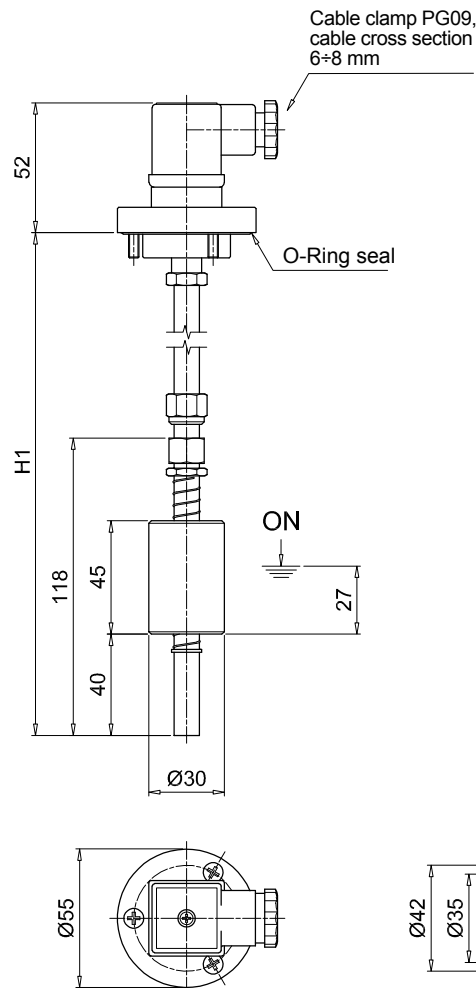
LEM											
Series	Configuration example : LEM A 1000 1 A 1 A F S 60 P01										
LEM											
Tube material	A Brass										
Length	500 1000										
Number of floats	1 Nr. 1 float										
Float material	A Nylon foam										
Electrical switch	1 N.C. (Normally Closed)										
Seals	A NBR										
Connections to the tank	F Nr. 3 holes flange										
Electrical connection	S DIN 43650 connector										
Thermostat setting	00 Without thermostat 60 60°C N.O. (Normally Open)										
Execution	P01 MP Filtri standard Pxx Customized										

LEM	
Length	H1 [mm]
500	500
1000	1000

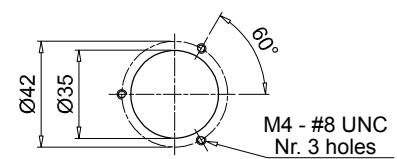
Without thermostat



With thermostat



Holes on the tank



Optional

DIN 43650 CONNECTOR

Materials

- Flange: aluminum
- Rod: brass
- Float: nylon foam
- Seals: A= NBR - V= FPM

Temperature

From -15 °C to +80 °C

For temperatures outside this range, contact
MP Filtri Technical and Sales Department

Technical data

Electrical oil level indicators

LEU is a range of electrical fluid level indicators for monitoring of the fluid level into the tank. They are directly fitted on the tank. The float moves through the rod while the fluid level changes. A magnet, fitted into the float, turns a reed sensor fixed into the rod. The setting point is adjustable on site, with few easy actions. They are made of stainless steel, to meet every heavy duty application.

Available features:

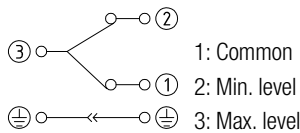
- Flanged connections
- Adjustable size on request, to meet every size of tank
- 2 floats, to monitor both the minimum level and the maximum level.

Common applications:

- Hydraulic systems
- Mobile machines
- Industrial equipment

Electrical symbol:

LEU 2 Floats



Note: to invert the contact status from NC to NO and vice versa, simply invert the float.

Materials

- Flange: Aluminium
- Tube: AISI 304
- Float: Hard rubber, AISI 316 (on request)
- O-Ring: NBR
- Circlip: AISI 304
- Float contact: N.C. reed, N.O. (on request)

Electrical data

- Protection rating: IP65
- Max switching capacity: 50 W
- Max switching current: 0.5 A
- Max switching voltage: 250 Vac
- Fluid specific gravity: > 0.75

Temperature

From -15 °C to + 80 °C

Weight

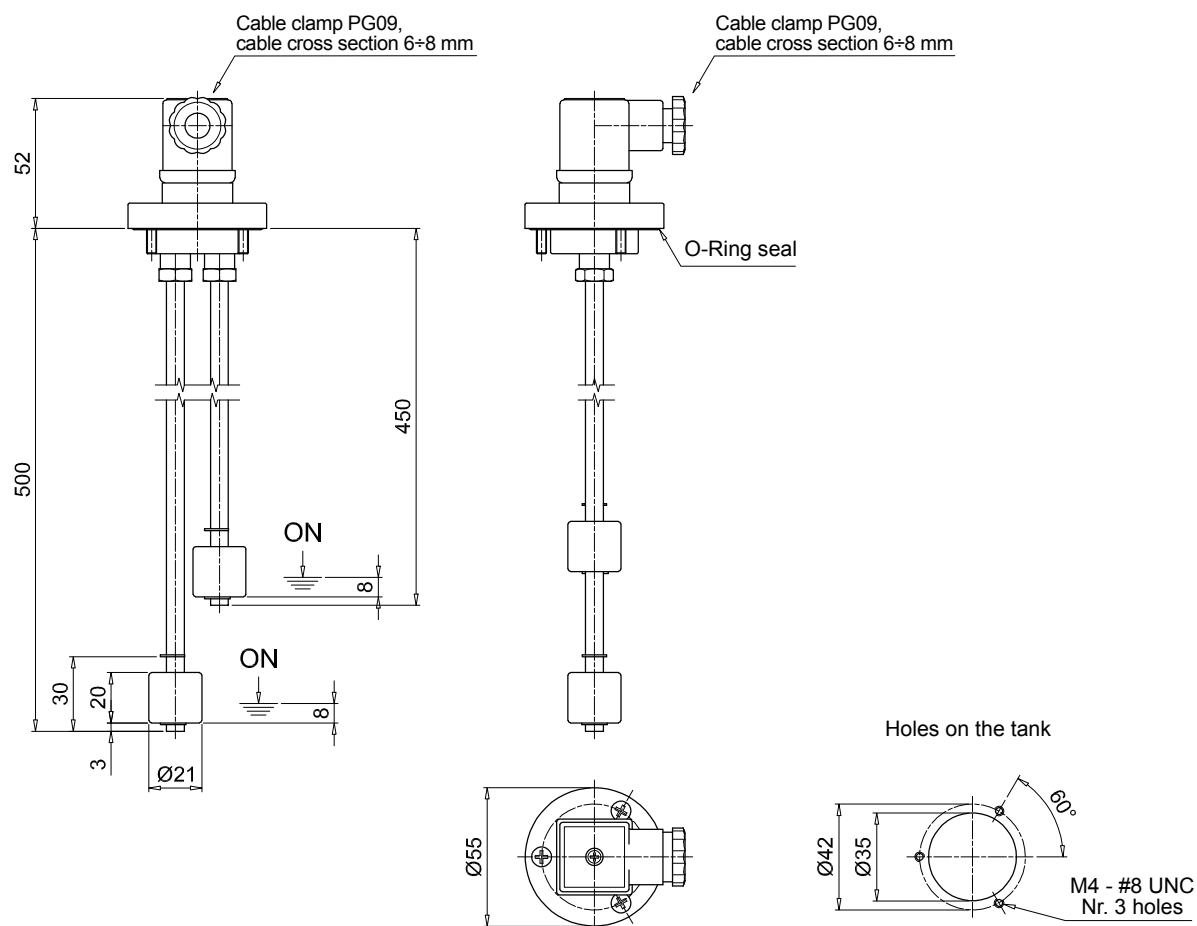
LEU 1 float 0.310 kg
LEU 2 floats 0.415 kg



Designation & Ordering code

LEU	
Series	Configuration example : LEU B 2 B 1 A F S P01
LEU	
Tube material	B AISI 304
Number of floats	2 Nr. 2 floats
Float material	B NBR
Electrical switch	1 N.C. (Normally Closed)
Seals	A NBR
Connections to the tank	F Nr. 3 holes flange
Electrical connection	S DIN 43650 connector
Execution	P01 MP Filtri standard
	Pxx Customized

LEU



Optional

DIN 43650 CONNECTOR

Materials

- Flange: aluminum
- Rod: brass
- Float: nylon foam
- Seals: A= NBR - V= FPM

Temperature

From -15 °C to +80 °C

For temperatures outside this range, contact
MP Filtri Technical and Sales Department