

STR & MPA - MPM series

Flow rate up to 1000 l/min



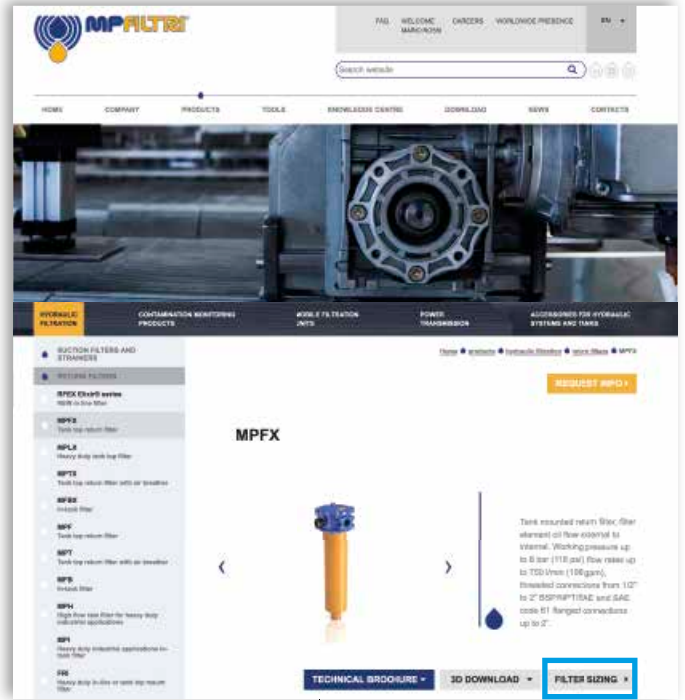
TYPICAL FILTER SIZING Selection Software

Step ①

Select "FILTER SIZING SOFTWARE" after login

OR

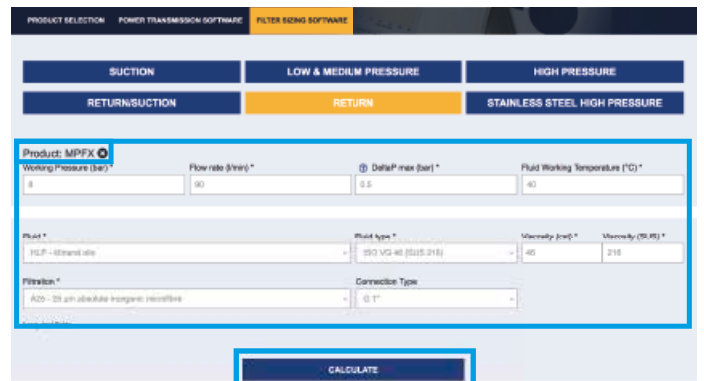
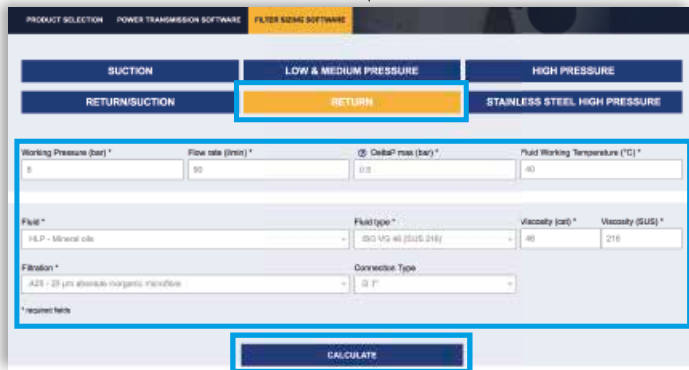
Select "FILTER SIZING" after login from a product page



Choose the type of filter family.
Enter the main data for sizing the filter
then push CALCULATE.

Step ②

Enter the main data for sizing the filter
then push CALCULATE.



Step ③

Select the desired options to choose the appropriate filter type for the application.

Working Pressure: 8 (bar) | Fluid: HLP | Flow rate: 90 (l/min) | Fluid type: ISO VG 46 (SUS 216) | DP max of the project: 0.5 (bar) | Seal: A - NBR | Working Temperature: 40 (°C) | Optional seals: V - FPM | Filtration: 25 µm absolute inorganic microfibre | Working Temperature with options: -20 + 110 (°C) | Connection Type: G 1" | Viscosity: 46 (cst) - 216 (SUS)

Filter type: MPFX: Tank top mounting - (Pmax 1 - B: 1.75 bar (Systems) | **Seal**: A - NBR

Option1: Single or duplex | **DIN Standard**: NOT APPLICABLE | **Indicator**: Visual

Image	Code	Press	Qmax	µP	Housing µP	Element µP	Connection	Seal	Link					
		bar	psi	l/min	gpm	bar	psi	bar	psi					
	MPFX-100-3-A-G3-A25-HBP51	8	116	25.74	25.3	0.47	7	0.12	2	0.35	5	G 1"	A	Adjustment Report
	MPFX-150-3-A-G3-A25-HBP51	8	178	66.74	25.3	0.47	7	0.12	2	0.38	8	G 1"	A	Adjustment Report

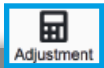
Step 4

Choose the most suitable filter from the proposed list.

Image	Code	Peak bar	Qmax gal/min	ΔP bar	Housing ΔP bar	Element ΔP bar	Connection	Seal	Link			
	MPFX-103-3-A-Q3-A25-H-BPST	8	116	25.74	25.3	0.47	T	0.12 2	0.33 5	G 1"	A	Adjustment Report
	MPFX-104-3-A-Q3-A25-H-BPST	8	116	25.74	25.3	0.47	T	0.12 2	0.33 5	G 1"	A	Adjustment Report

Step 5

It is possible to change the filter modifying every parameter.



A SAVE YOUR FILTER'S REPORT



B MANUAL EDIT



SAVE IN YOUR ARCHIVE
typing your reference data and then SAVE AS PDF



A new browser window displays the pdf

see A

Close the report window



By clicking your WELCOME button, the SHOW REPORTS is displayed: select it to see your filters list.

STR & MPA-MPM GENERAL INFORMATION

Description

Technical data

Suction filters

Flow rate up to 1000 l/min

STR

STR is a range of suction strainers for protection of the downstream pump against the coarse contamination.

They are placed below the oil level directly connected to the suction line of the pump.

Available features:

- Female threaded connections up to 3", for a maximum flow rate of 1000 l/min
- Bypass valve, to relieve excessive pressure drop across the filter media

Common application:

- Mobile machines (Construction and Agriculture machines)
- Industrial equipment

MPA - MPM

MPA and MPM are ranges of suction strainers for protection of the downstream pump against the coarse contamination.

They are placed below the minimum oil level, directly connected to the suction line of the pump.

The robust design allows the use of these filters in any heavy duty application.

Available features:

- Female threaded connections up to 3", for a maximum flow rate of 1000 l/min
- Magnetic column (MPM), to hold the ferrous particles

Common application:

Industrial equipment

STR materials

- 1 - Connection: Polyamide, GF reinforced
- 2 - Core tube: Tinned steel
- 3 - Wire mesh
- 4 - End cap: Polyamide, GF reinforced
- 5 - Bypass valve: Polyamide, GF reinforced - Steel

MPA - MPM materials

- 1 - Connection: Aluminium
- 2 - Magnetic column
- 3 - Tie rod: Galvanized steel
- 4 - End cap: Galvanized steel
- 5 - Core tube: Galvanized steel
- 6 - Filter media: Wire mesh
- 7 - Bottom: Galvanized steel
- 8 - Washer: Galvanized steel
- 9 - Self-locking nut: Galvanized steel - Polyamide

Bypass valve

Opening pressure 30 kPa (0.3 bar)

Elements

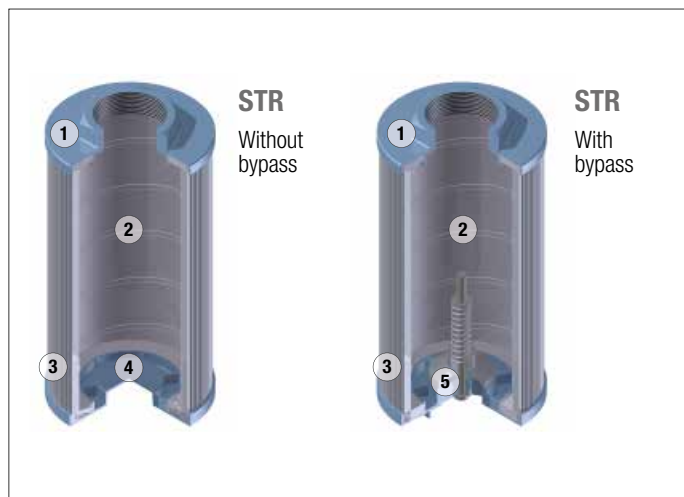
Fluid flow through the filter element from OUT to IN.

Temperature

From -25 °C to +110 °C

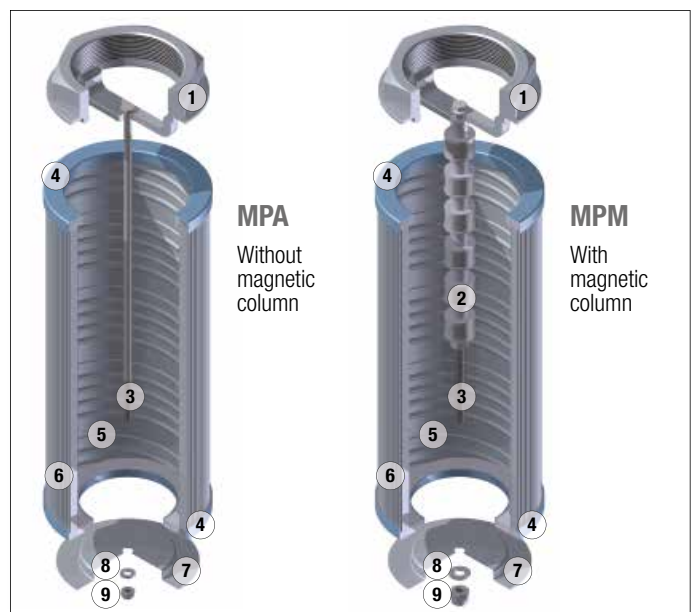
Quantity

Series and size	pcs/pack
STR 045 - 050	12
STR 065 - 070 - 086 - 100	6
STR 140 - 150	1
MPA - MPM 012	12
MPA - MPM 015 - 025 - 030 - 045 - 050 - 075 - 095 - 120 - 150	6
MPA - MPM 180 - 220 - 280 - 300 - 380 - 430	1



Weights [kg]

Filter series	
STR	see page 35
MPA - MPM	see page 37



Filter series	Thread	l/min
STR & MPA - MPM	3/8"	19
	1/2"	28
	3/4"	67
	1"	126
	1 1/4"	167
	1 1/2"	258
	2"	480
	2 1/2"	854
	3"	995

Maximum flow rate for a complete suction filter with a pressure drop $\Delta p = 0.08$ bar.

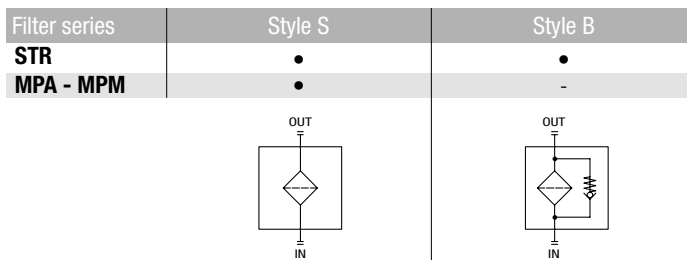
The reference fluid has a kinematic viscosity of 30 mm²/s (cSt) and a density of 0.86 kg/dm³.

For different pressure drop or fluid viscosity we recommend to use our selection software available on www.mpfiltri.com.

You can also calculate the right size using the formulas present on the FILTER SIZING paragraph at the beginning of the full catalogue or at the beginning of the filter family brochure.

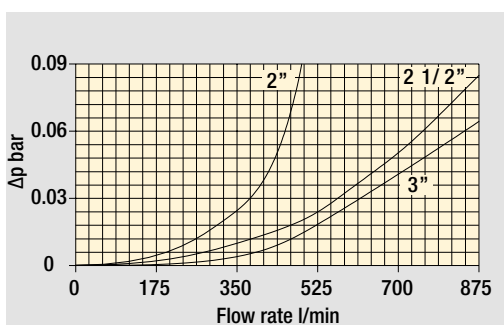
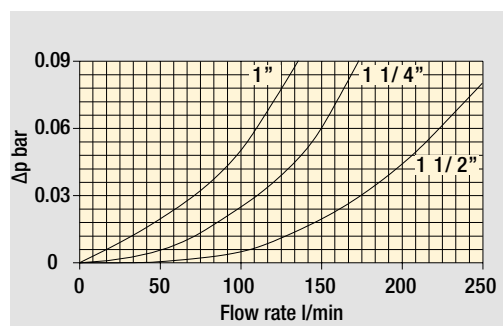
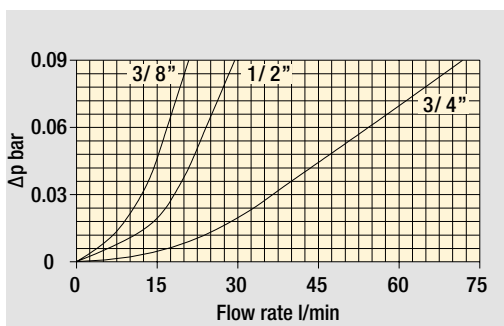
Please, contact our Sales Department for further additional information.

Hydraulic symbols



Pressure drop

Filters pressure drop Δp
in function of connection type



The curves are plotted using mineral oil with density of 0.86 kg/dm³ in compliance with ISO 3968. Δp varies proportionally with density.

Designation & Ordering code

COMPLETE FILTER

Series and size

STR045
STR050
STR065
STR070
STR086
STR100
STR140
STR150

Configuration example 1: STR045 1 B G1 M60 P01

Configuration example 2: STR100 4 S G2 M250 P01

Length and connection

	STR045	STR050	STR065	STR070	STR086	STR100	STR140	STR150
1	3/8"	3/8"	1/2"	1/2"	1 1/2"	1 1/4"	1 1/2"	2"
2	1/2"	1/2"	3/4"	3/4"	2"	1 1/4"	2"	2 1/2"
3	-	-	3/4"	3/4"	1 1/2"	1 1/2"	2"	3"
4	-	-	1"	1"	2"	2"	2 1/2"	-
5	-	-	-	-	1 1/2"	1 1/2"	3"	-
6	-	-	-	1/2"	2"	-	3"	-

Bypass valve

S	Without bypass
B	With bypass 0.3 bar

Thread

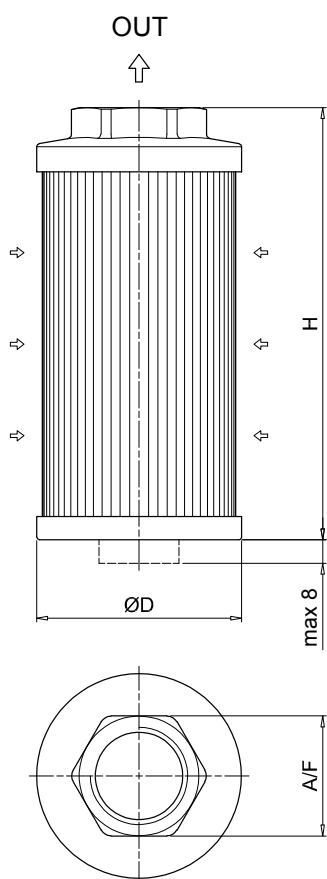
G1	GAS
G2	NPT

Filtration rating

M25	Wire mesh	25 µm
M60	Wire mesh	60 µm
M90	Wire mesh	90 µm
M250	Wire mesh	250 µm

Execution

P01	MP Filtri standard
Pxx	Customized



STR						
Size	Length	Thread	ØD [mm]	H [mm]	A / F [mm]	Weight [kg]
045	1	3/8"	46	105	30	0.15
	2	1/2"	46	105	30	0.19
050	1	3/8"	52	79	30	0.11
	2	1/2"	52	79	30	0.11
065	1	1/2"	65	110	41	0.19
	2	3/4"	65	110	41	0.22
	3	3/4"	65	144	41	0.24
	4	1"	65	144	41	0.22
070	1	1/2"	70	95	41	0.18
	2	3/4"	70	95	41	0.17
	3	3/4"	70	141	41	0.23
	4	1"	70	141	41	0.22
	6	1/2"	70	141	41	0.24
086	1	1 1/2"	86	143	69	0.33
	2	2"	86	143	69	0.30
	3	1 1/2"	86	201	69	0.43
	4	2"	86	201	69	0.40
	5	1 1/2"	86	261	69	0.53
	6	2"	86	261	69	0.50
100	1	1 1/4"	99	137	69	0.47
	2	1 1/4"	99	227	69	0.58
	3	1 1/2"	99	227	69	0.55
	4	2"	99	227	69	0.51
	5	1 1/2"	99	137	69	0.43
140	1	1 1/2"	130	160	69	0.70
	2	2"	130	160	69	0.68
	3	2"	130	262	69	0.94
	4	2 1/2"	130	272	101	1.10
	5	3"	130	272	101	1.00
	6	3"	130	330	101	1.17
150	1	2"	150	150	70	0.34
	2	2 1/2"	150	212	90	0.37
	3	3"	150	272	100	0.40

MPA-MPM

Designation & Ordering code

COMPLETE FILTER

Series	
MPA	Without magnetic column
MPM	With magnetic column

Configuration example 1: **MPA** **030** **G1** **M60** **P01**

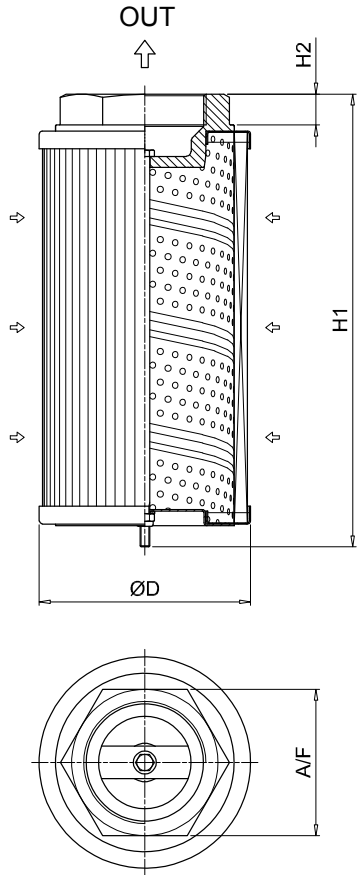
Configuration example 2: **MPM** **430** **G2** **M250** **P01**

Connections	
012	3/8"
015	1/2"
025	1/2"
030	3/4"
045	3/4"
050	1"
075	1"
095	1 1/4"
120	1 1/4"
150	1 1/2"
180	1 1/2"
220	2"
280	2"
300	2 1/2"
380	2"
430	3"

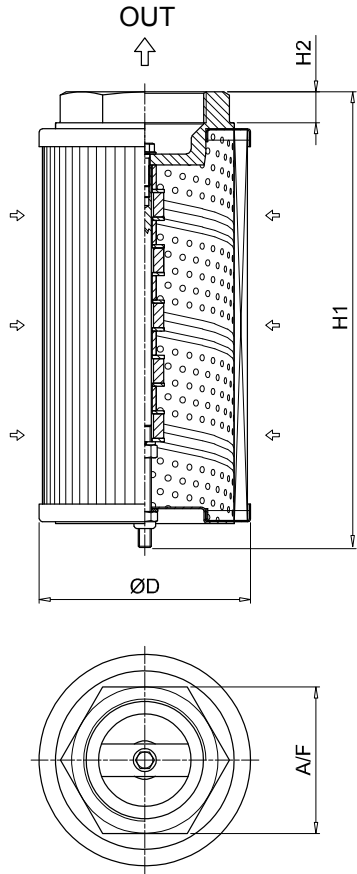
Thread	
G1	BSP
G2	NPT

Filtration rating		
M25	Wire mesh	25 µm
M60	Wire mesh	60 µm
M90	Wire mesh	90 µm
M250	Wire mesh	250 µm

Execution	
P01	MP Filtri standard
Pxx	Customized



MPA						
Size	Thread	ØD [mm]	H1 [mm]	H2 [mm]	A/F [mm]	Weight [kg]
012	3/8"	50	98	16	28	0.17
015	1/2"	50	98	16	28	0.17
025	1/2"	70	113	16	28	0.27
030	3/4"	70	115	18	42	0.36
045	3/4"	70	160	18	42	0.39
050	1"	70	160	18	42	0.35
075	1"	99	145	18	42	0.54
095	1 1/4"	99	148	20	60	0.63
120	1 1/4"	99	239	20	60	0.95
150	1 1/2"	99	239	20	60	0.91
180	1 1/2"	130	174	20	60	0.98
220	2"	130	162	13	80	1.00
280	2"	130	272	13	80	1.60
300	2 1/2"	130	281	20	90	1.67
380	2"	130	322	13	80	1.60
430	3"	130	335	22	106	1.93



MPM						
Size	Thread	ØD [mm]	H1 [mm]	H2 [mm]	A/F [mm]	Weight [kg]
012	3/8"	50	98	16	28	0.17
015	1/2"	50	98	16	28	0.17
025	1/2"	70	113	16	28	0.27
030	3/4"	70	115	18	42	0.36
045	3/4"	70	160	18	42	0.39
050	1"	70	160	18	42	0.35
075	1"	99	148	18	42	0.54
095	1 1/4"	99	154	20	60	0.63
120	1 1/4"	99	244	20	60	0.95
150	1 1/2"	99	244	20	60	0.91
180	1 1/2"	130	174	20	60	0.98
220	2"	130	163	13	80	1.00
280	2"	130	273	13	80	1.60
300	2 1/2"	130	282	20	90	1.67
380	2"	130	323	13	80	1.60
430	3"	130	336	22	106	1.93