

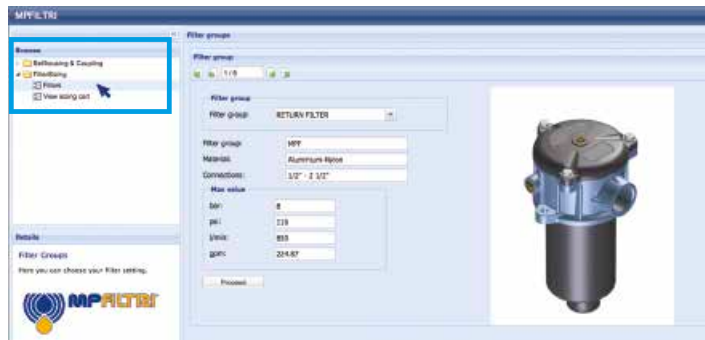
MSH series

Maximum working pressure up to 3.5 MPa (35 bar) - Flow rate up to 195 l/min



TYPICAL FILTER SIZING Selection Software

Step 1 Select "FILTERS"



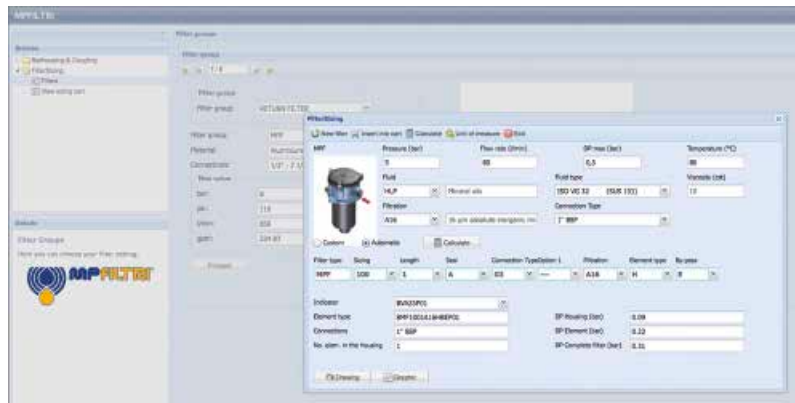
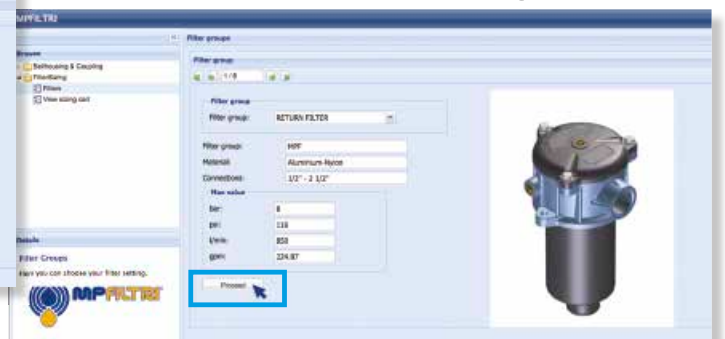
Step 2 Choose filter group (Return Filter, Pressure Filter, etc.)



Step 3 Choose filter type (MPF, MPT, etc.) in function of the max working pressure and the max flow rate



Step 4 Push "PROCEED"



Step 5

Insert all application data to calculate the filter size following the sequence:

- working pressure
- working flow rate
- working pressure drop
- working temperature
- fluid material and fluid type
- filtration media
- connection type

Step 6

Push "CALCULATE" to have result; in case of any mistake, the system will advice which parameter is out of range to allow to modify/adjust the selection



Step 7

Download PDF Datasheet "Report.aspx" pushing the button "Drawing"

Description

Technical data

Spin-on filters

Maximum working pressure up to 3.5 MPa (35 bar)
Flow rate up to 195 l/min

MSH is a range of spin-on filters suitable to be used in low pressure lines. They offer a good balance between performances, dimensions and prices. They are directly connected to the lines of the system through the hydraulic fittings.

Available features:

- Female threaded connections up to 1 1/4", for a maximum flow rate of 195 l/min
- Fine filtration rating, to get a good cleanliness level into the reservoir
- Strong sealing between the housing and cans, to be used in heavy applications
- Bypass valve, to relieve excessive pressure drop across the filter media
- Visual, electrical and electronic differential clogging indicators for low pressure applications

Common applications:

- Delivery lines, in economic industrial equipment or mobile machines

Filter housing materials

- Head: Anodized Aluminium
- Bypass valve: Nylon - Steel
- Element: Aluminium - Painted Steel

Bypass valve

Opening pressure: 250 kPa (2.5 bar) ±10%

Δp element type

- Δp: 5 bar
- Oil flow from OUT to IN

Seals

- Standard NBR - series A
- Optional FPM - series V

Temperature

From -20 °C to +110 °C

Note

MSH filters are provided for vertical mounting



Weights [kg] and volumes [dm³]

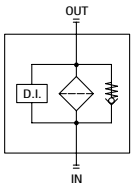
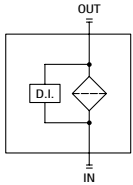
Filter series	Weights [kg]	Volumes [dm ³]
MSH 050	1.50	0.65
MSH 070	1.90	0.95
MSH 100	3.30	1.80
MSH 150	3.80	2.20

Cartridge

Thread connections	
Type	Connection
CH 050 - 070	M32 x 2
CH 100 - 150	M45 x 2

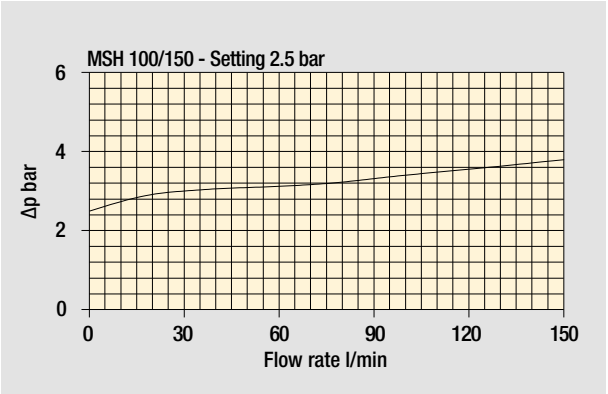
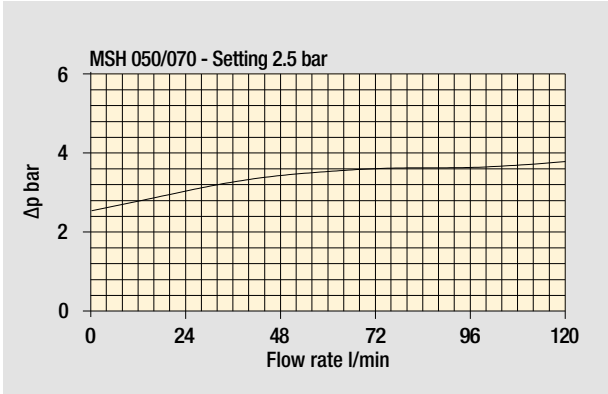
CH

Filter series	Style S	Style B
MSH 050	•	•
MSH 070	•	•
MSH 100	•	•
MSH 150	•	•



Pressure drop

Bypass valve pressure drop



The curves are plotted using mineral oil with density of 0.86 kg/dm³ in compliance with ISO 3968. Δp varies proportionally with density.

MSH MSH050 - MSH070 MSH100 - MSH150

Designation & Ordering code

COMPLETE FILTER

Series and size		Configuration example: MSH050 B A G1 A10 P01				
MSH050 MSH070 MSH100 MSH150						
Bypass valve						
S	Without bypass					
B	2.5 bar					
Seal						
A	NBR					
Connections	MSH 050 - 070	MSH 100 - 150				
G1	G 1"	G 1 1/2"				
G2	G 3/4"	G 1 1/4"				
G3	1" NPT	1 1/2" NPT				
G4	3/4" NPT	1 1/4" NPT				
G5	SAE 16 - 1 5/16" - 12 UN	SAE 24 - 1 7/8" - 12 UN				
G6	SAE 12 - 1 1/16" - 12 UN	SAE 20 - 1 5/8" - 12 UN				
Filtration rating (filter media)						
A03	Inorganic microfiber 3 µm	M25	Wire mesh 25 µm			
A06	Inorganic microfiber 6 µm	M60	Wire mesh 60 µm			
A10	Inorganic microfiber 10 µm	M90	Wire mesh 90 µm			
A25	Inorganic microfiber 25 µm	P10	Resin impregnated paper 10 µm			
		P25	Resin impregnated paper 25 µm			
			Execution			
			P01 MP Filtri standard			

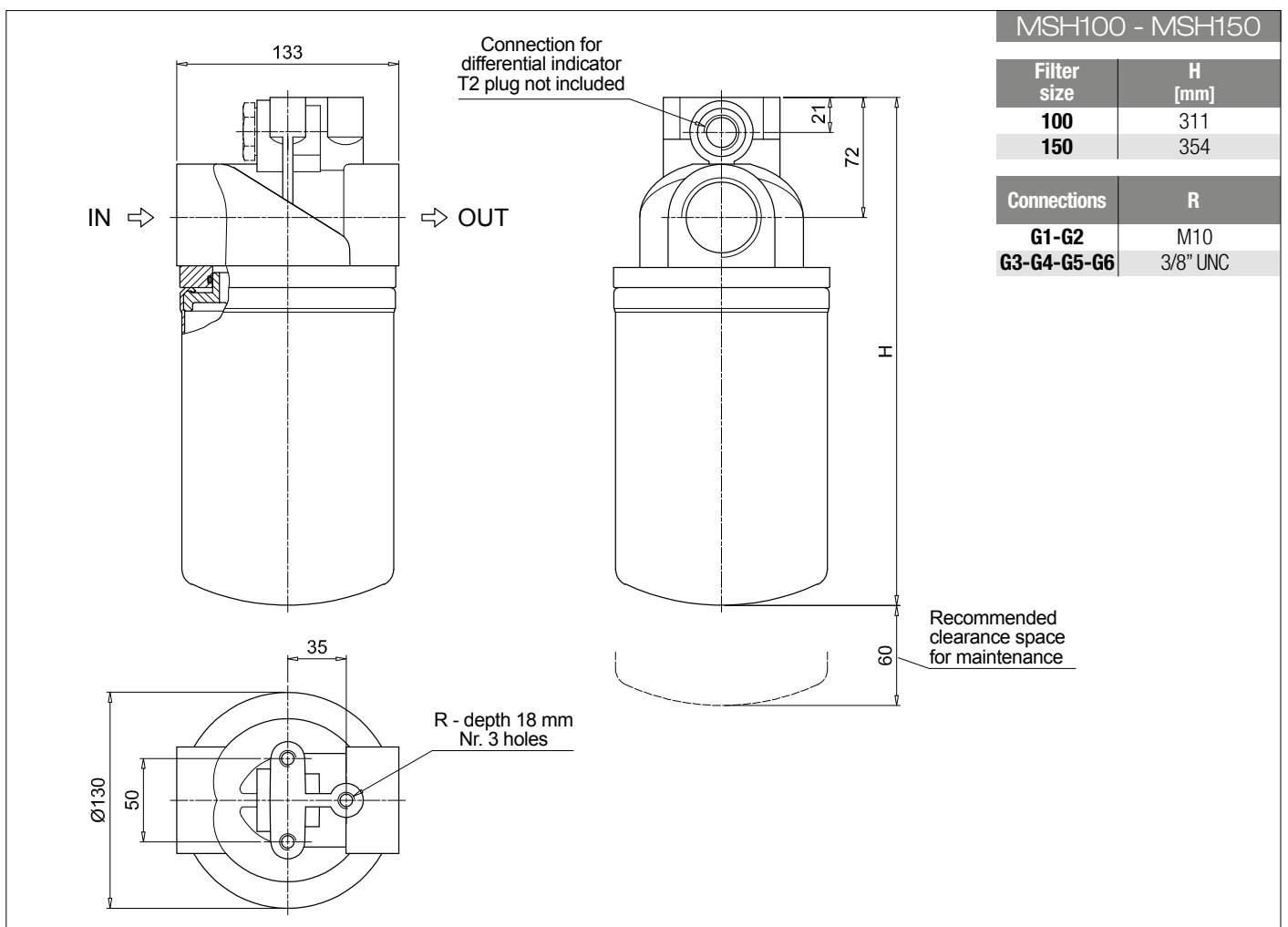
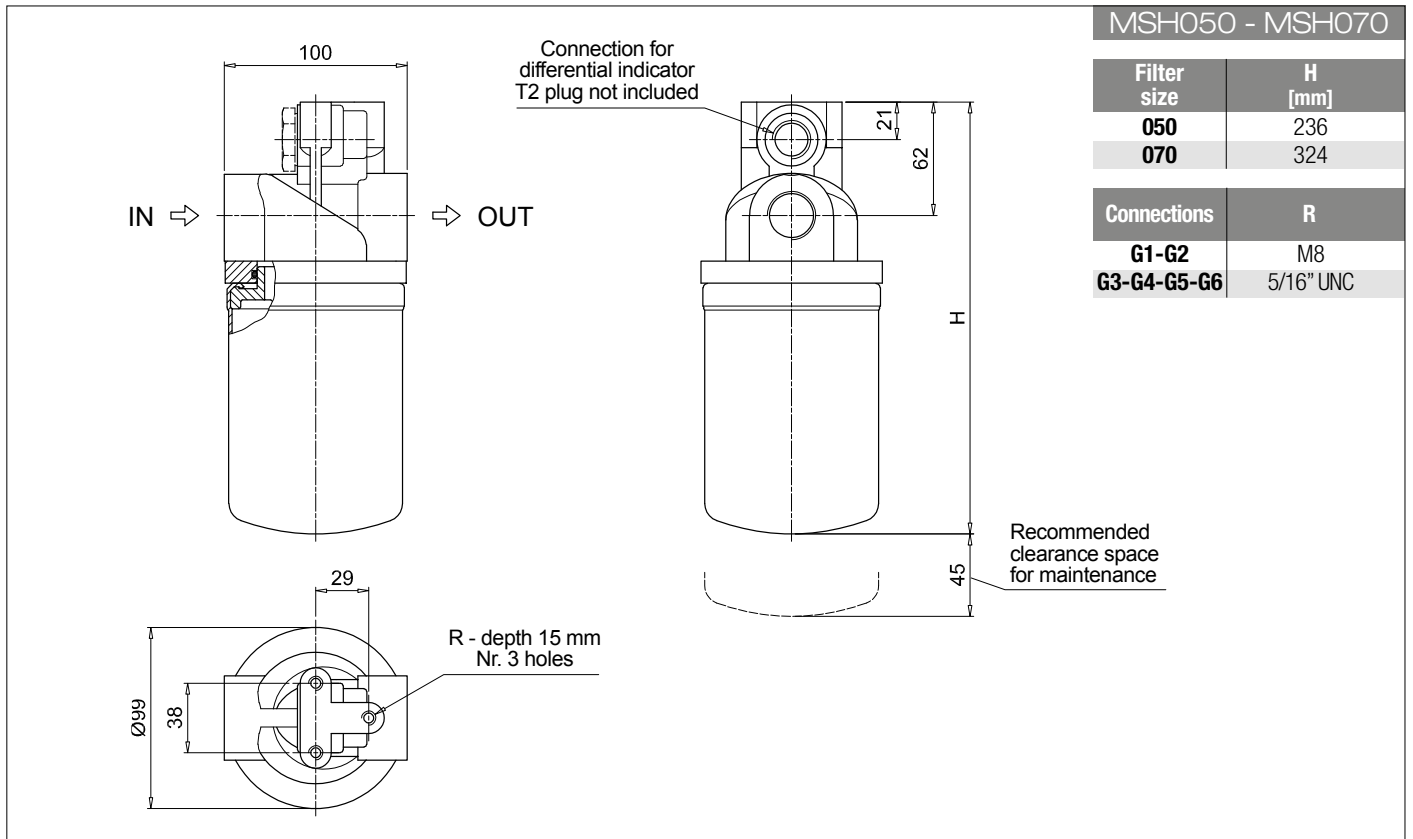
CARTRIDGE

Cartridge series and size		Configuration example: CH050 A10 A P01			
CH050 CH070 CH100 CH150					
Filtration rating (filter media)					
A03	Inorganic microfiber 3 µm	M25	Wire mesh 25 µm		
A06	Inorganic microfiber 6 µm	M60	Wire mesh 60 µm		
A10	Inorganic microfiber 10 µm	M90	Wire mesh 90 µm		
A25	Inorganic microfiber 25 µm	P10	Resin impregnated paper 10 µm		
		P25	Resin impregnated paper 25 µm		
		Seal		Execution	
		A NBR		P01 MP Filtri standard	
				Pxx Customized	

ACCESSORIES

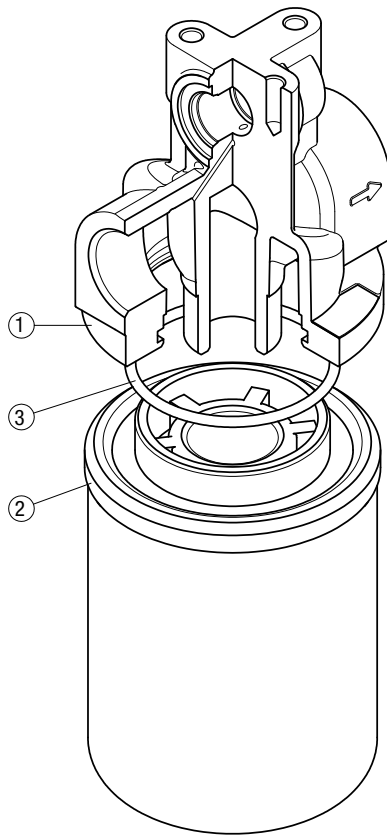
Differential indicators		page			page
DEA	Electrical differential indicator	317	DTA	Electronic differential indicator	320
DEM	Electrical differential indicator	317-318	DVA	Visual differential indicator	320
DLA	Electrical / visual differential indicator	318-319	DVM	Visual differential indicator	320
DLE	Electrical / visual differential indicator	319			

Additional features		page
T2	Plug	321



MSH SPARE PARTS

Order number for spare parts



Item:	Q.ty: 1 pc. 1	Q.ty: 1 pc. 2	Q.ty: 1 pc. 3
Filter series	Filter assembly	Cartridge	Seal code number
MSH 050-070	See order table	See order table	0-R 167 (ø 63.50 x 3.53)
MSH 100-150	See order table	See order table	0-R 4362 (ø 91.67 x 3.53)